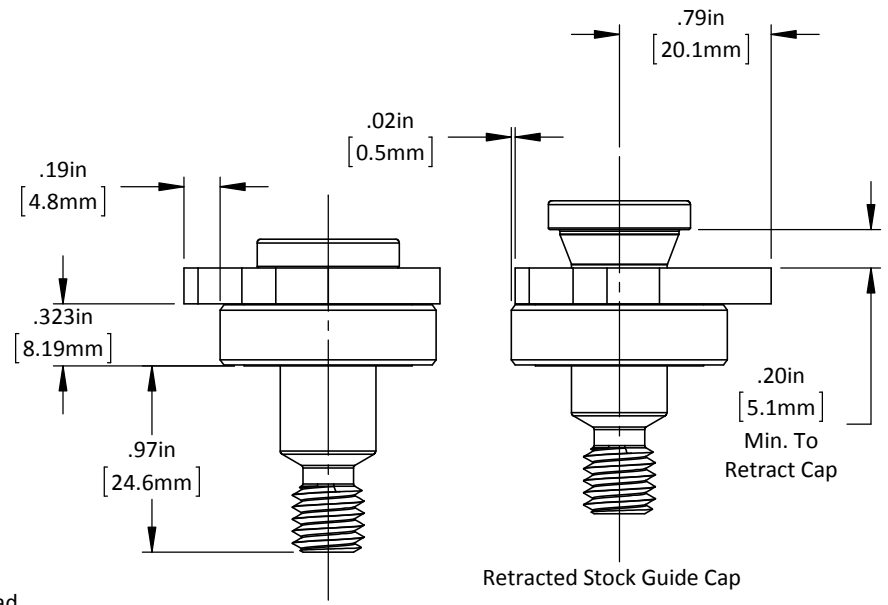
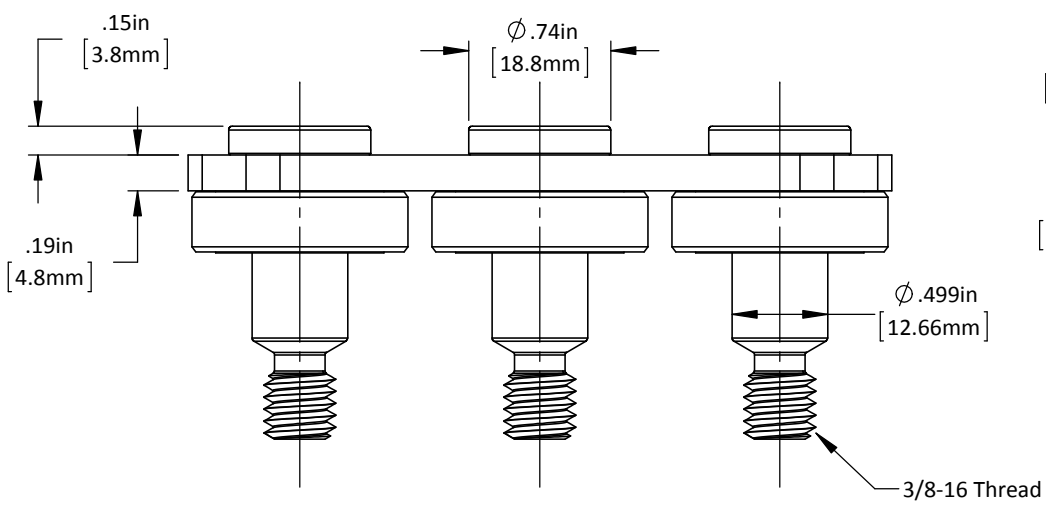
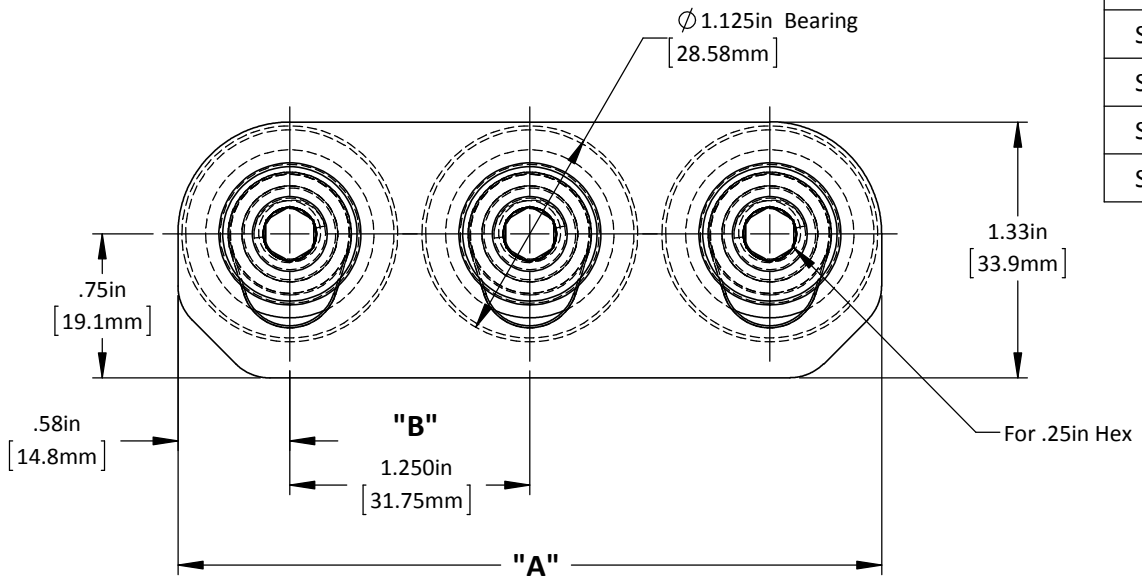
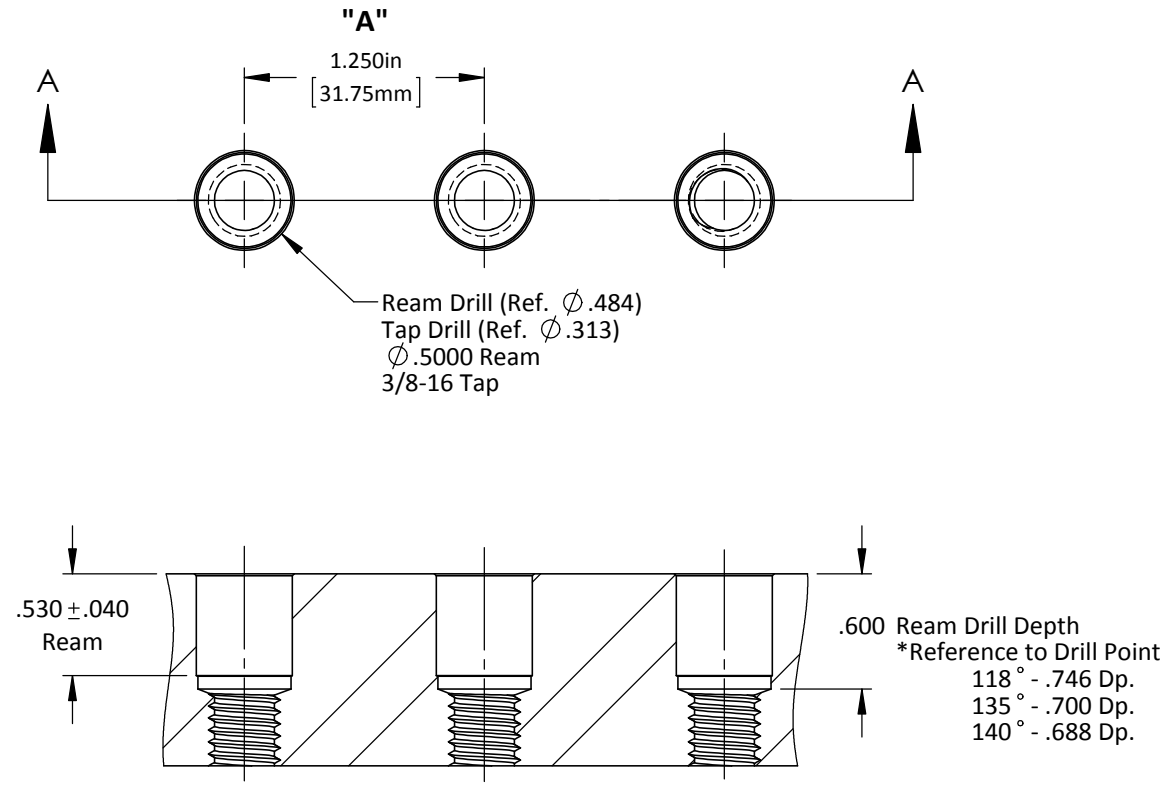
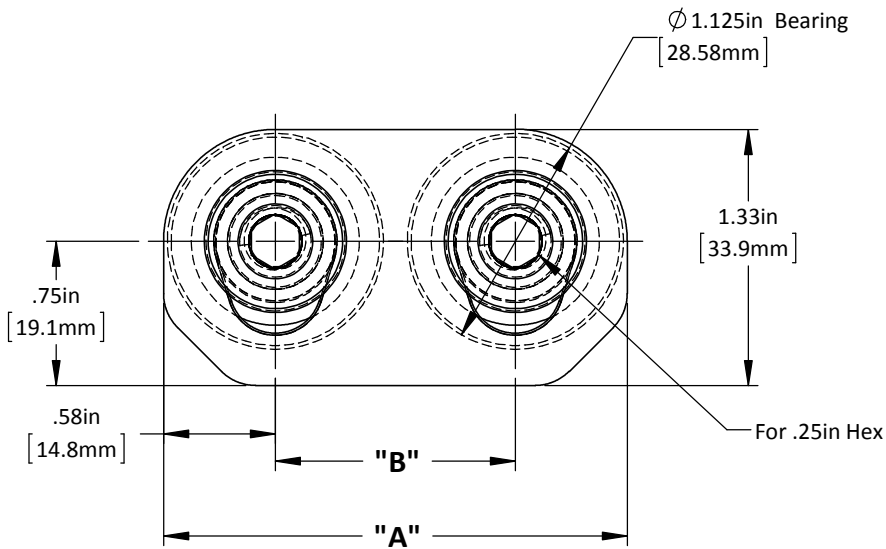


Product Number	"A" Dim.	"B" Spaces	No. of Brgs.
SG-B-E-C-1.33-3.67	3.67in [93.1mm]	2	3
SG-B-E-C-1.33-4.92	4.92in [124.9mm]	3	4
SG-B-E-C-1.33-6.17	6.17in [156.6mm]	4	5
SG-B-E-C-1.33-7.42	7.42in [188.4mm]	5	6

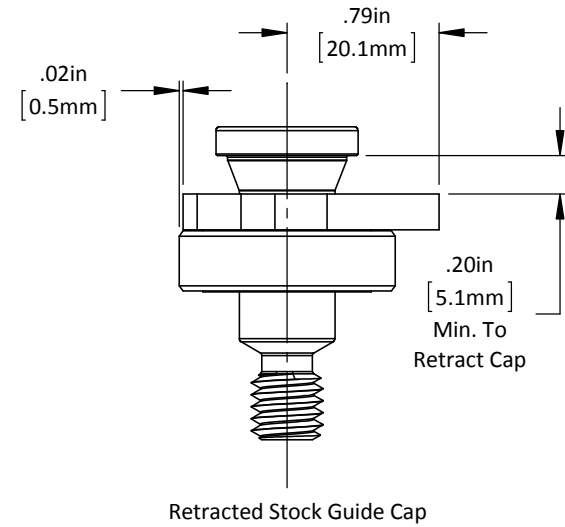
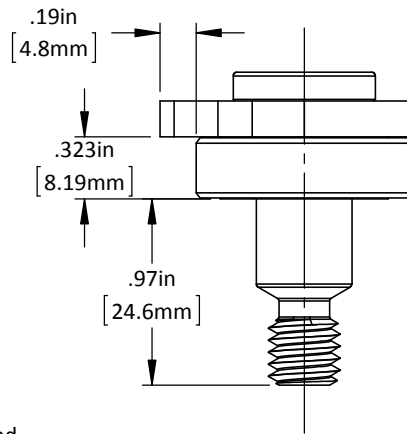
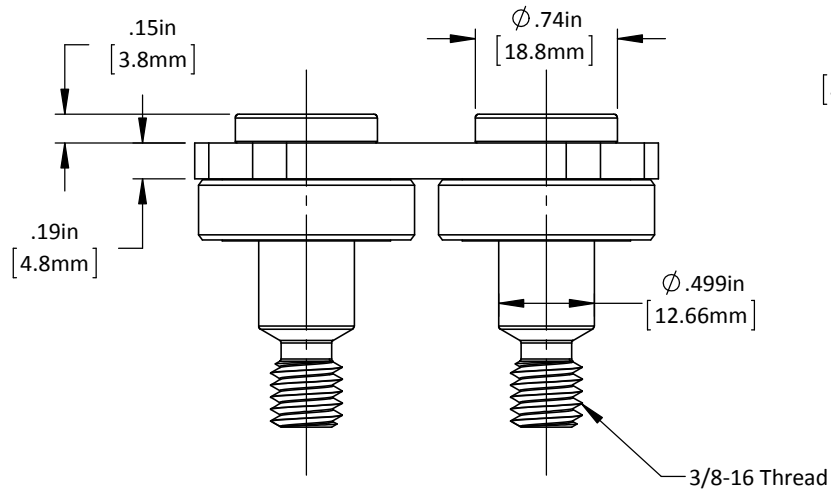


Product Number	"A" Spaces	No. of Holes
SG-B-E-C-1.33-3.67	2	3
SG-B-E-C-1.33-4.92	3	4
SG-B-E-C-1.33-6.17	4	5
SG-B-E-C-1.33-7.42	5	6





Product Number	"A" Dim.	"B" Dim.
SG-B-E-O-1.33-2.42	2.42in [61.4mm]	1.25in [31.75mm]
SG-B-E-O-1.33-3.67	3.67in [93.1mm]	2.500in [63.50mm]
SG-B-E-O-1.33-4.92	4.92in [124.9mm]	3.75in [95.25mm]
SG-B-E-O-1.33-6.17	6.17in [156.6mm]	5.000in [127mm]
SG-B-E-O-1.33-7.42	7.42in [188.4mm]	6.250in [158.75mm]
SG-B-E-O-1.33-8.67	8.67in [220.1mm]	7.500in [190.5mm]



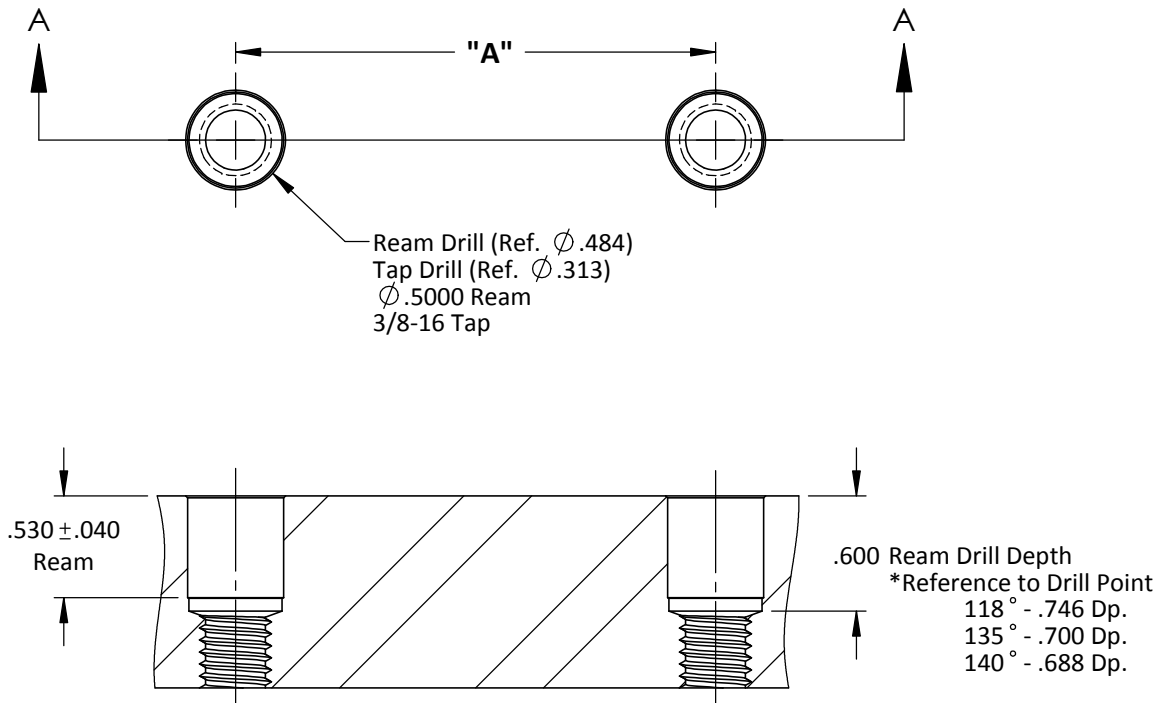
DO NOT SCALE DRAWING REV 1

This product may be covered by one or more patents or patent applications. See <http://www.standardlifters.com/patents.html> for details.

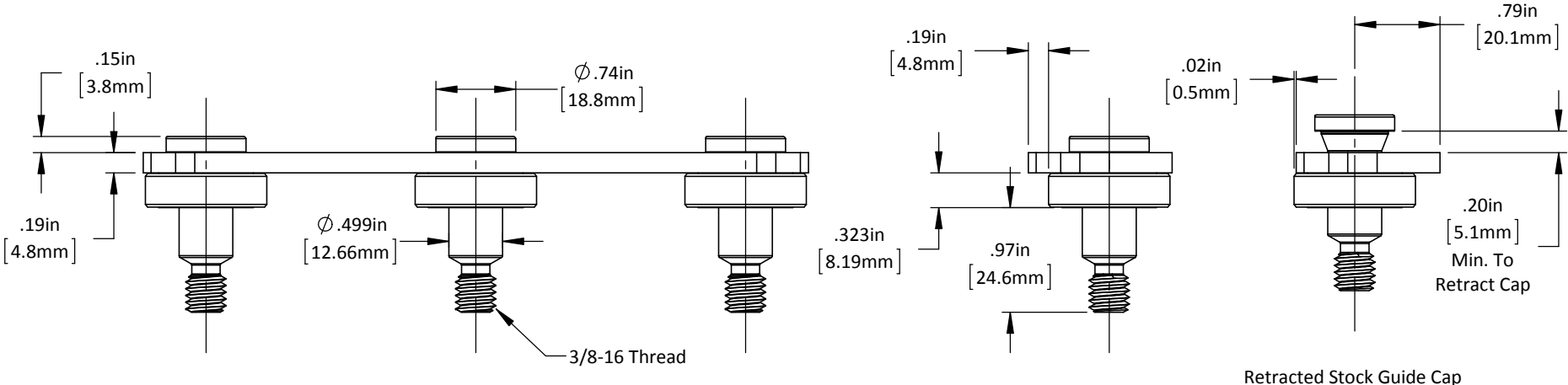
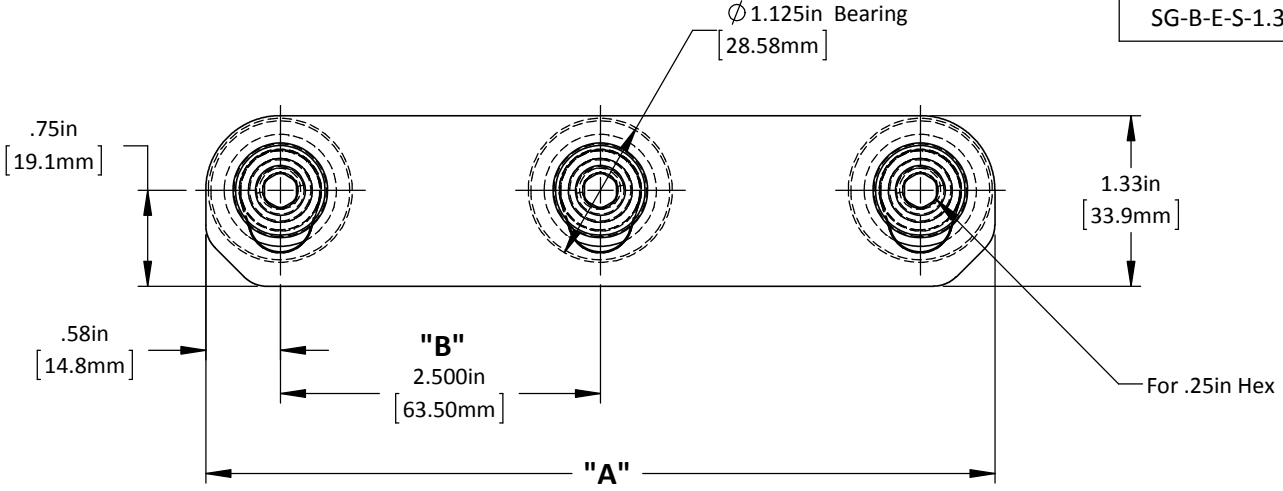
Stock Guide-SG-B-E-O-1.33

STANDARD LIFTERS INC

Product Number	"A" Dim.
SG-B-E-O-1.33-2.42	1.250in [31.75mm]
SG-B-E-O-1.33-3.67	2.500in [63.50mm]
SG-B-E-O-1.33-4.92	3.750in [95.25mm]
SG-B-E-O-1.33-6.17	5.000in [127mm]
SG-B-E-O-1.33-7.42	6.250in [158.75mm]
SG-B-E-O-1.33-8.67	7.500in [190.5mm]



Product Number	"A" Dim.	"B" Spaces	No. of Brgs.
SG-B-E-S-1.33-6.17	6.17in [15.6mm]	2	3
SG-B-E-S-1.33-8.67	8.67in [220.1mm]	3	4



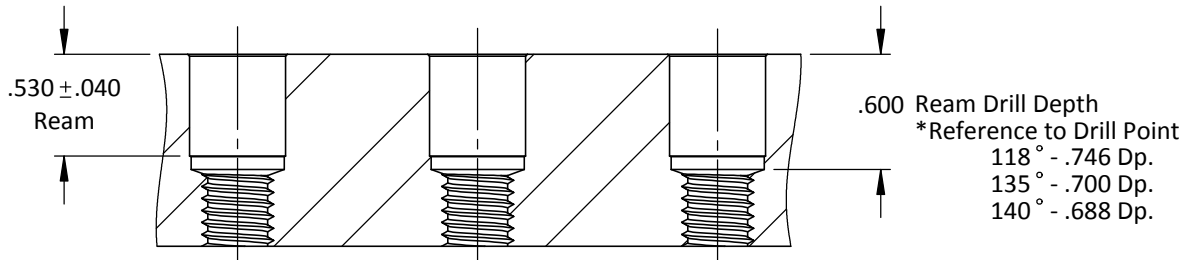
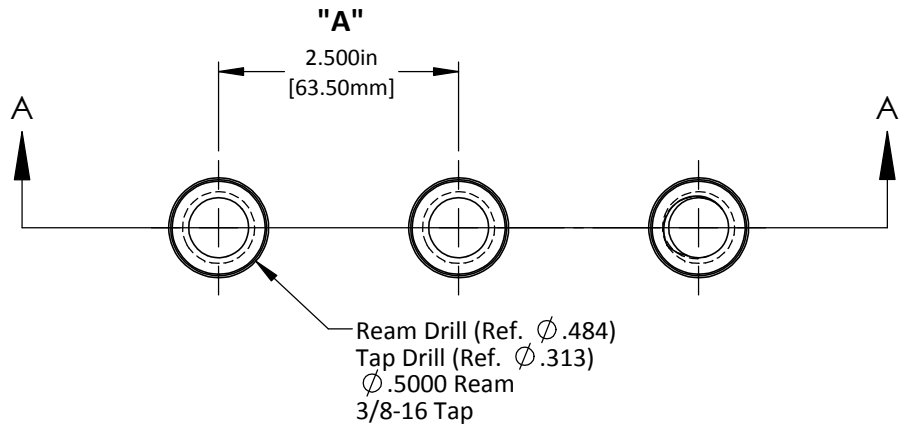
DO NOT SCALE DRAWING REV 1

This product may be covered by one or more patents or patent applications.
See <http://www.standardlifters.com/patents.html> for details.

Stock Guide-SG-B-E-S-1.33

STANDARD LIFTERS INC

Product Number	"A" Spaces	No. of Holes
SG-B-E-S-1.33-6.17	2	3
SG-B-E-S-1.33-8.67	3	4



DO NOT SCALE DRAWING	REV 2
This product may be covered by one or more patents or patent applications. See http://www.standardlifters.com/patents.html for details.	

Stock Guide-SG-B-E-S-1.33-Machining

STANDARD LIFTERS INC