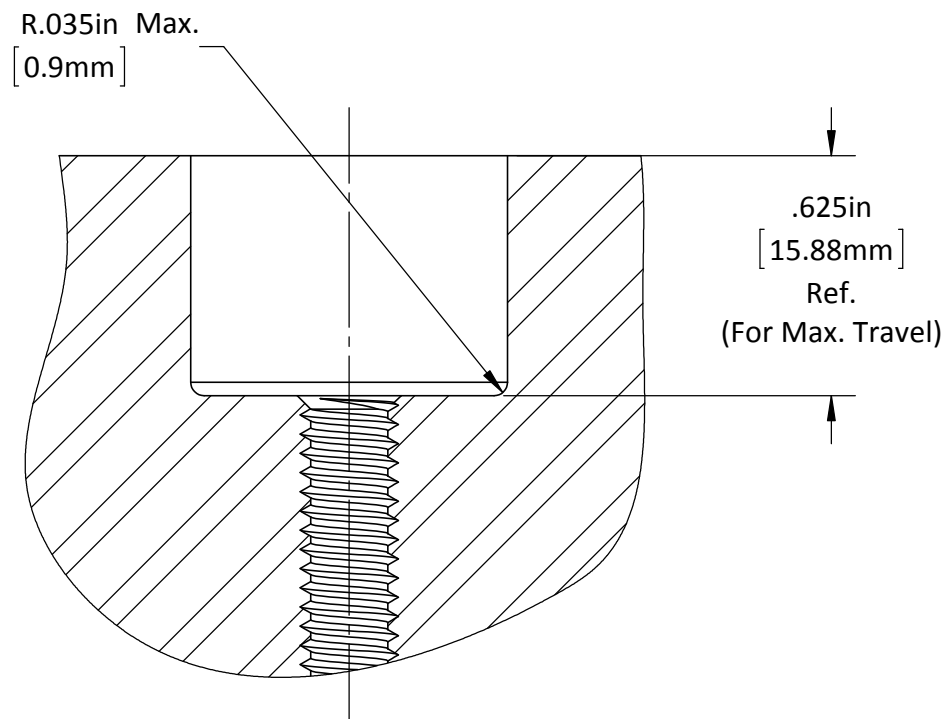
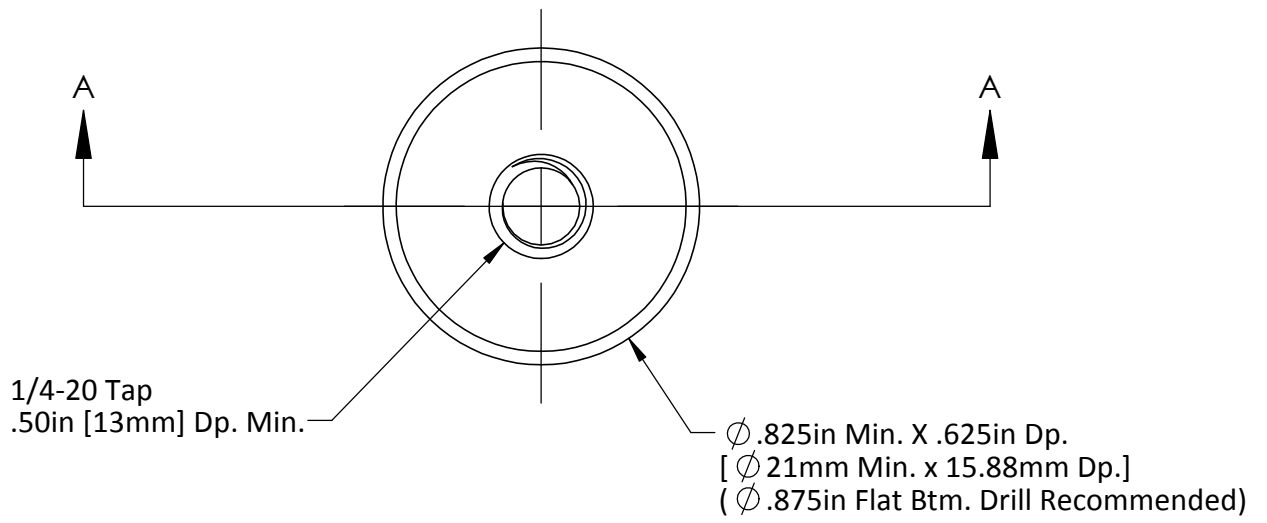


DO NOT SCALE DRAWING REV 1

This product may be covered by one or more patents or patent applications.
See <http://www.standardlifters.com/patents.html> for details.

SE-.750-.125-S-A

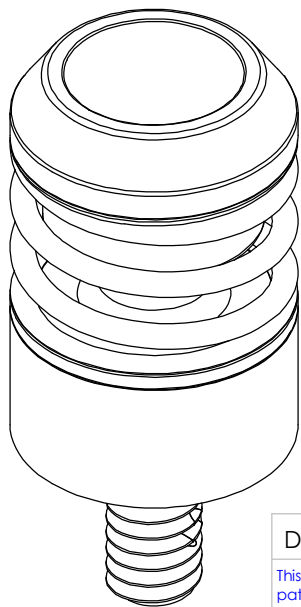
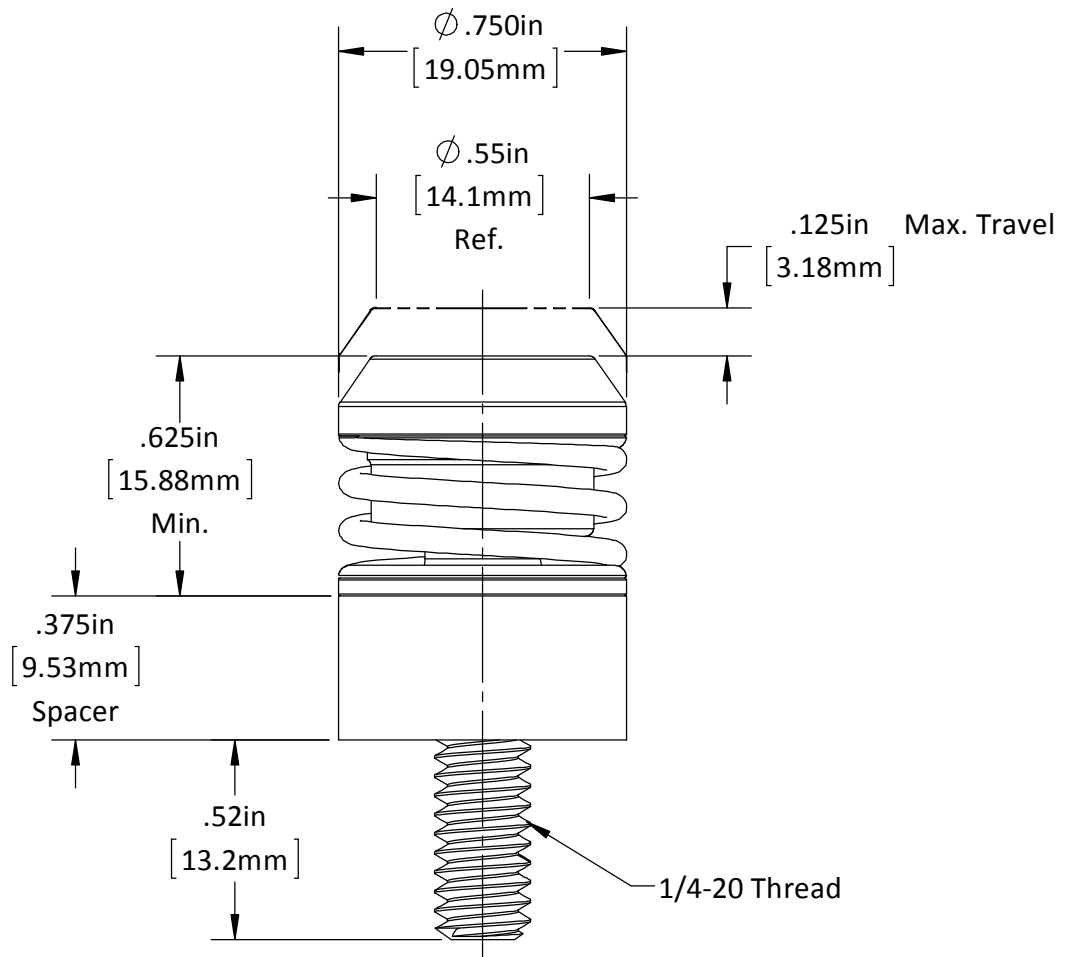
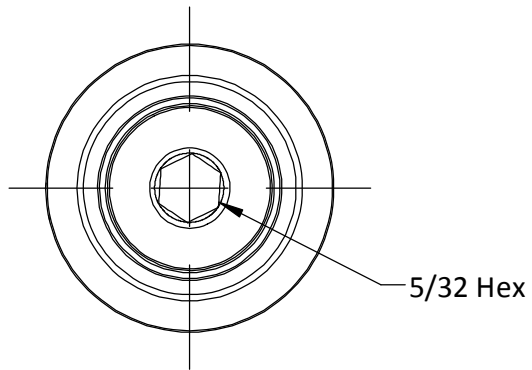
STANDARD LIFTERS INC



SECTION A-A

DO NOT SCALE DRAWING	REV 1
<small>This product may be covered by one or more patents or patent applications. See http://www.standardlifters.com/patents.html for details.</small>	

SE-.750-.125-S-A-Machining
STANDARD LIFTERS INC



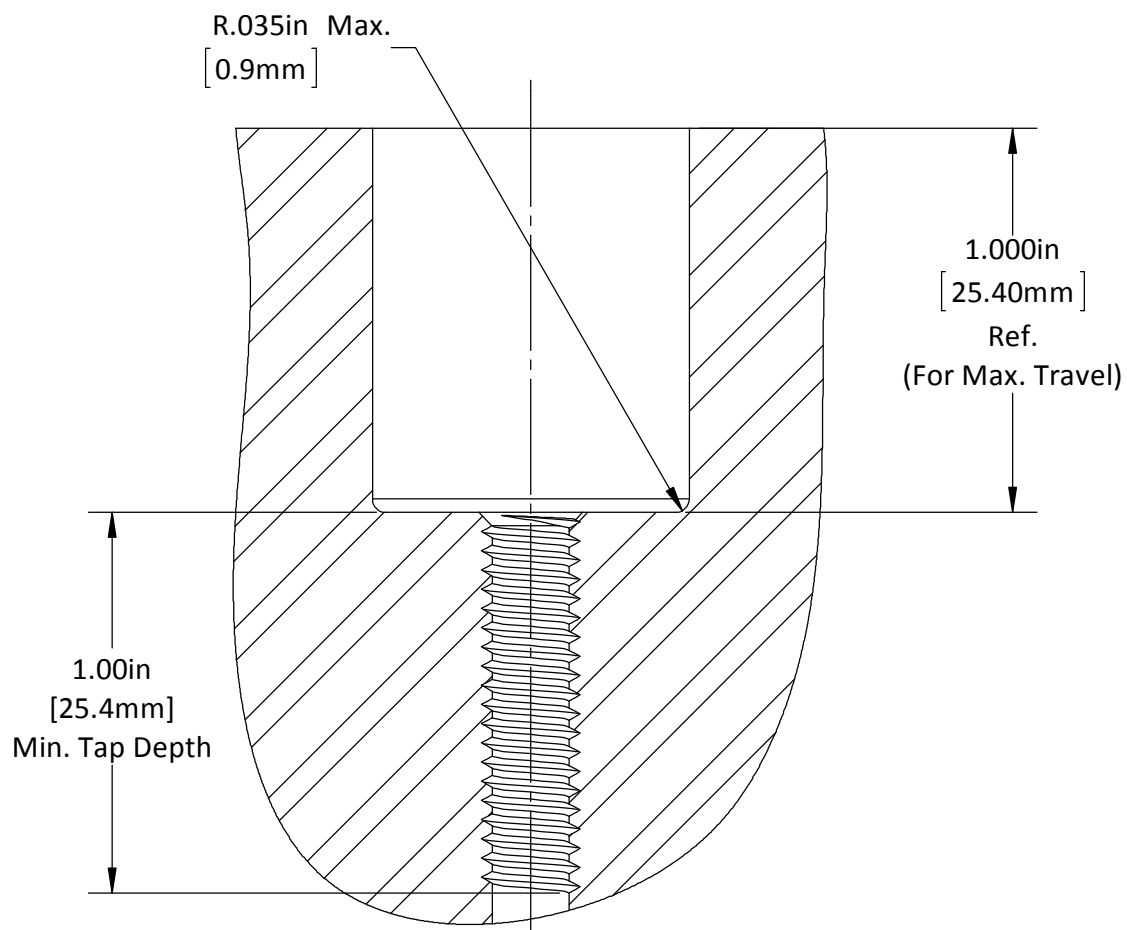
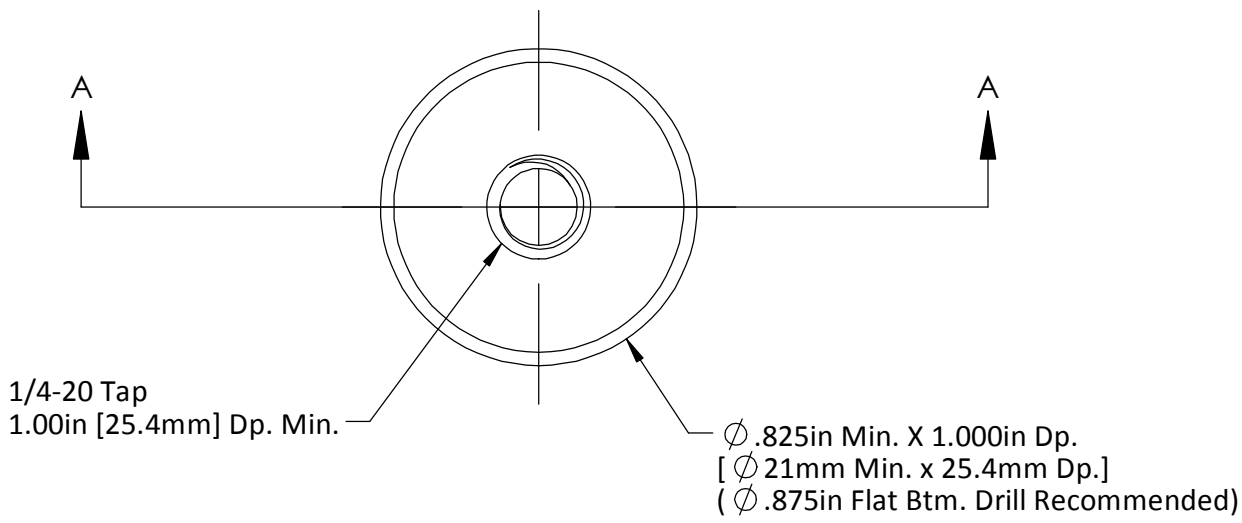
DO NOT SCALE DRAWING

REV 2

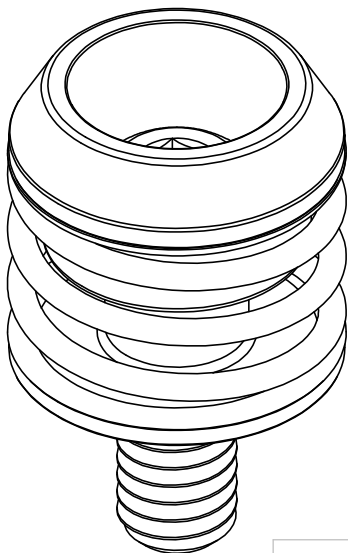
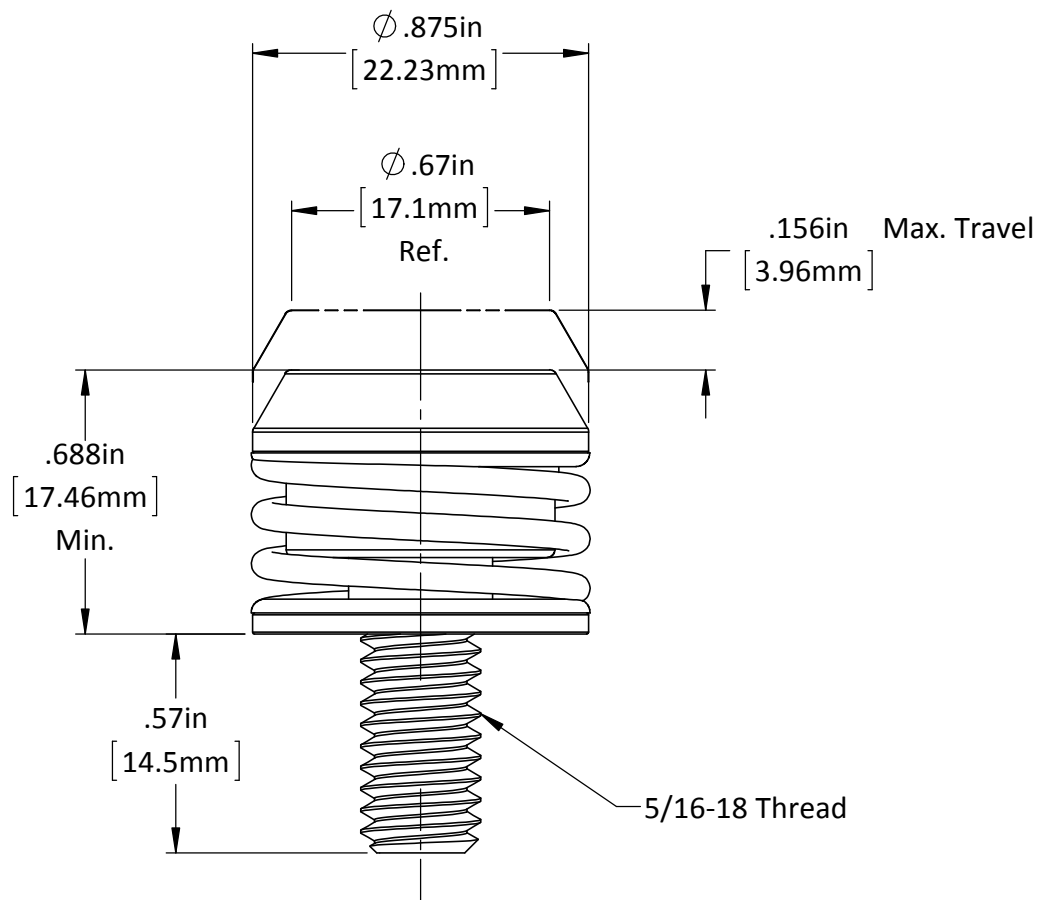
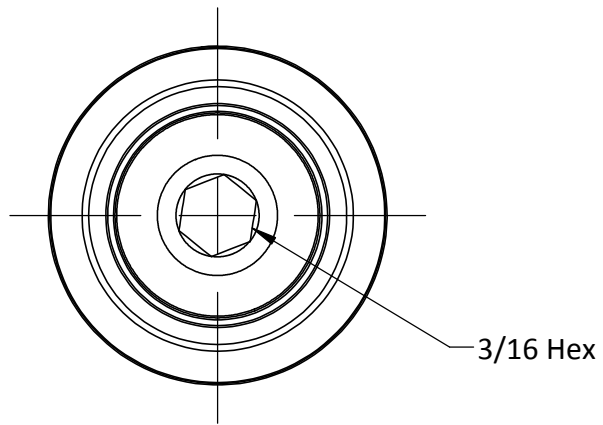
This product may be covered by one or more patents or patent applications.
 See <http://www.standardlifters.com/patents.html> for details.

SE-.750-.125-S-A-T

STANDARD LIFTERS INC



SECTION A-A

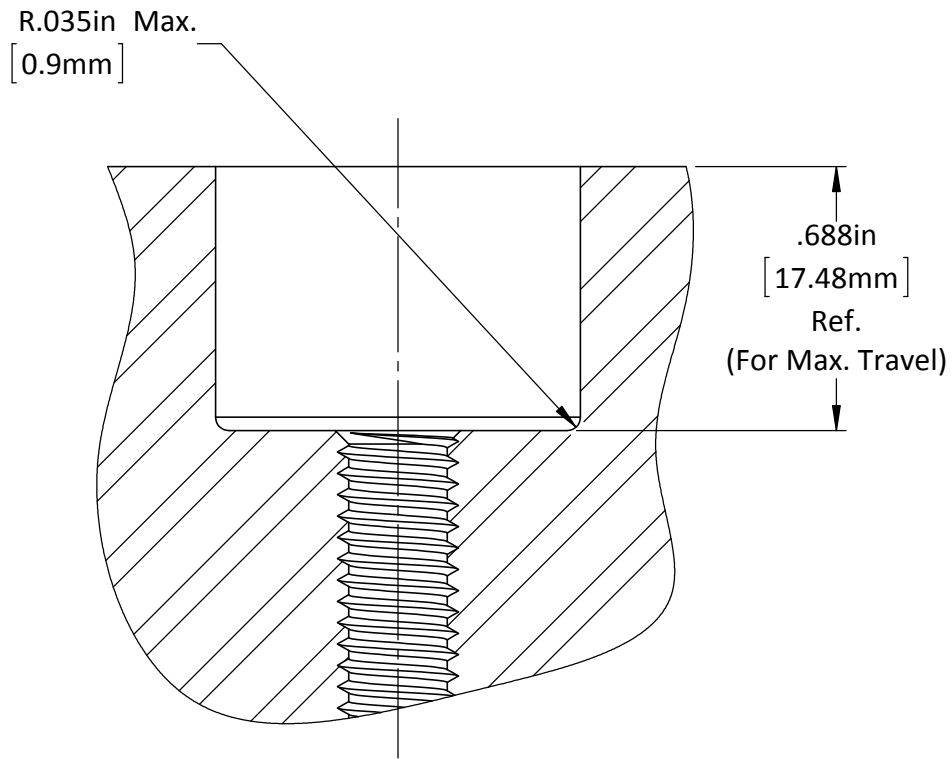
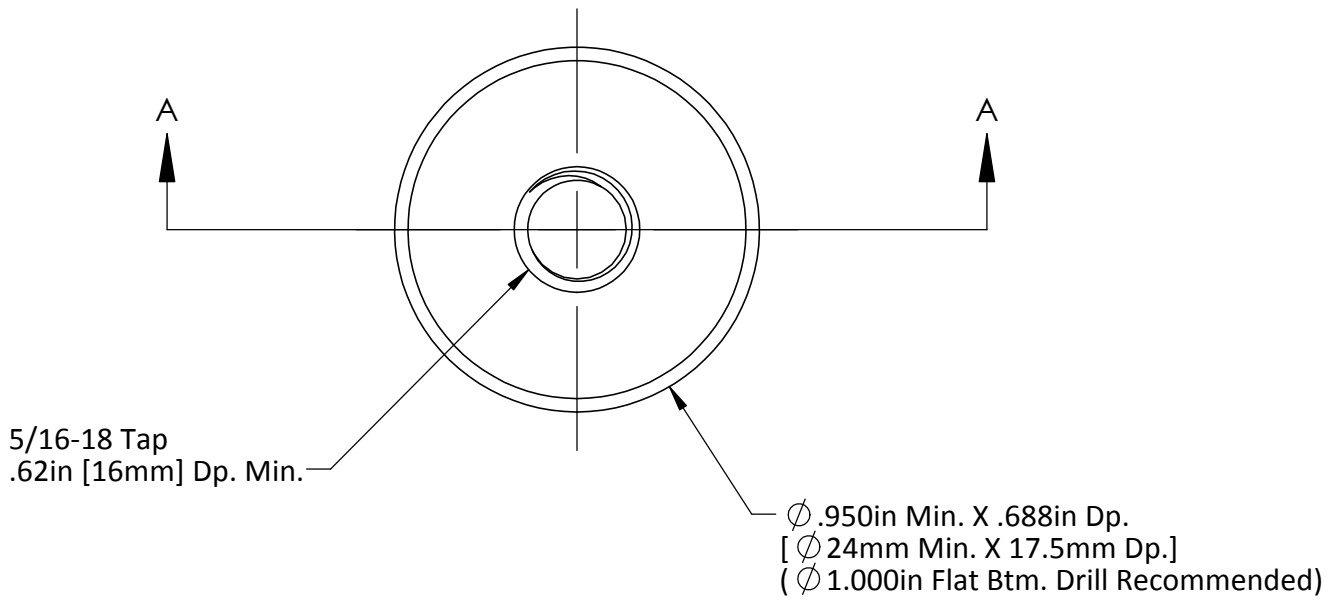


DO NOT SCALE DRAWING REV 1

This product may be covered by one or more patents or patent applications.
See <http://www.standardlifters.com/patents.html> for details.

SE-.875-.156-S-A

STANDARD LIFTERS INC



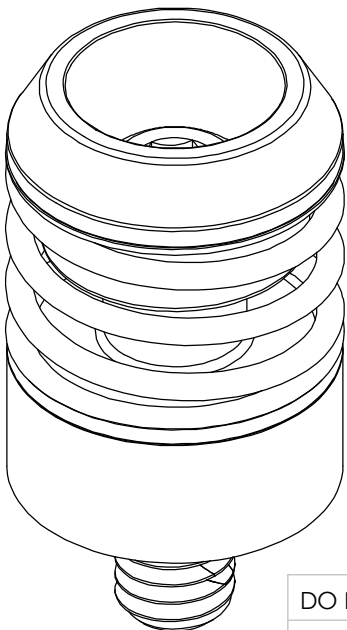
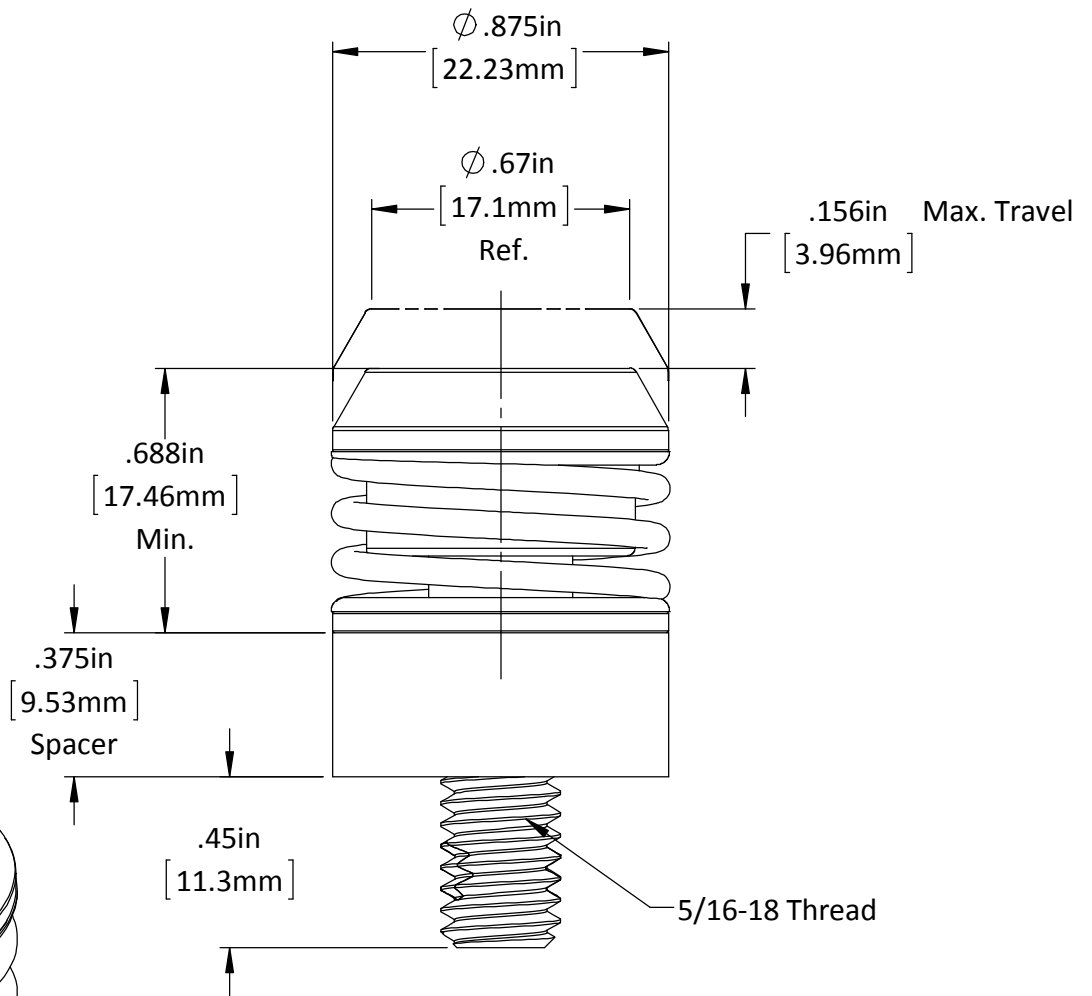
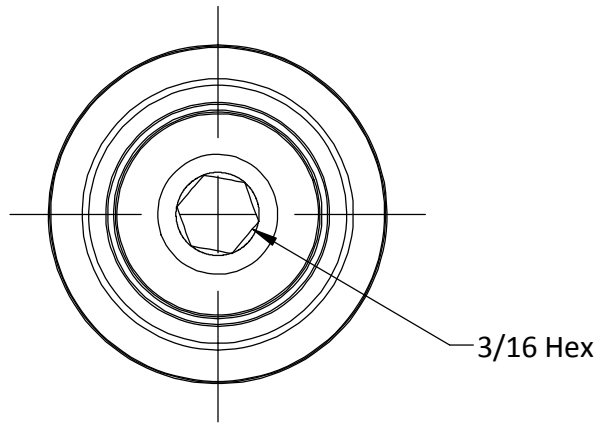
SECTION A-A

DO NOT SCALE DRAWING REV 1

This product may be covered by one or more patents or patent applications.
See <http://www.standardlifters.com/patents.html> for details.

SE-.875-.156-S-A-Machining

STANDARD LIFTERS INC

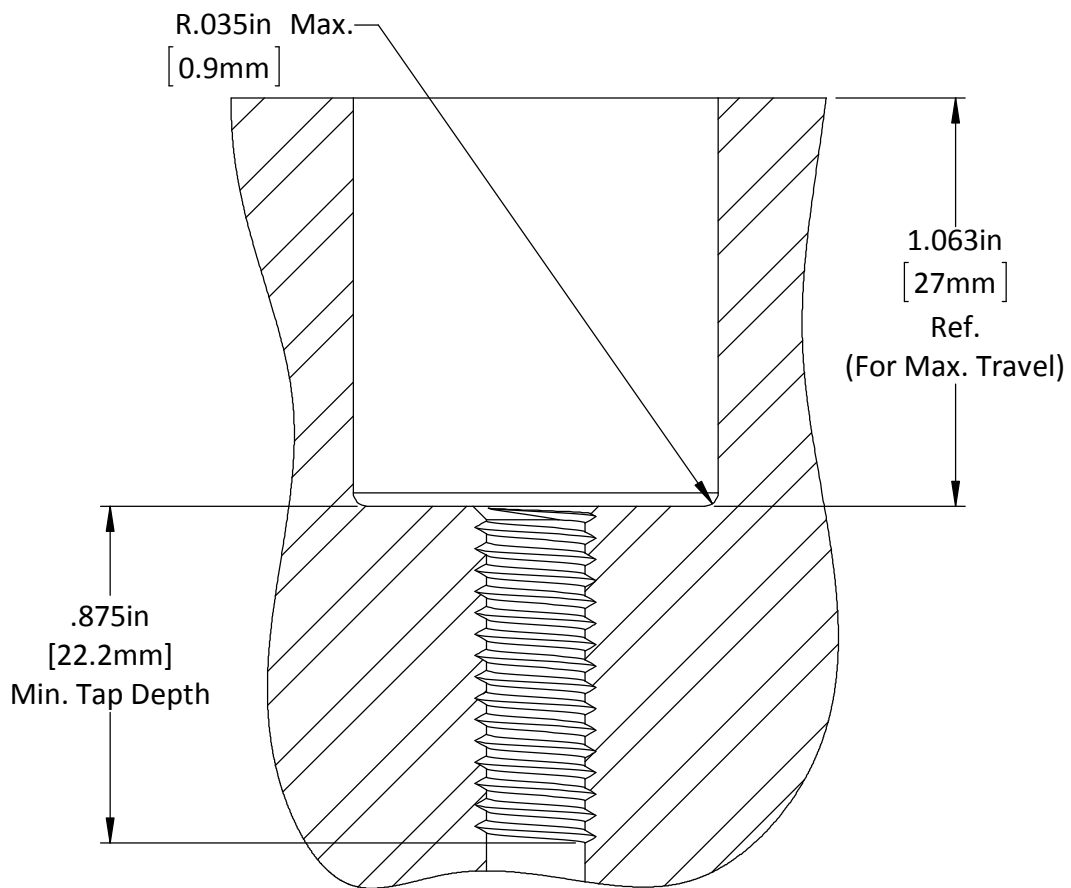
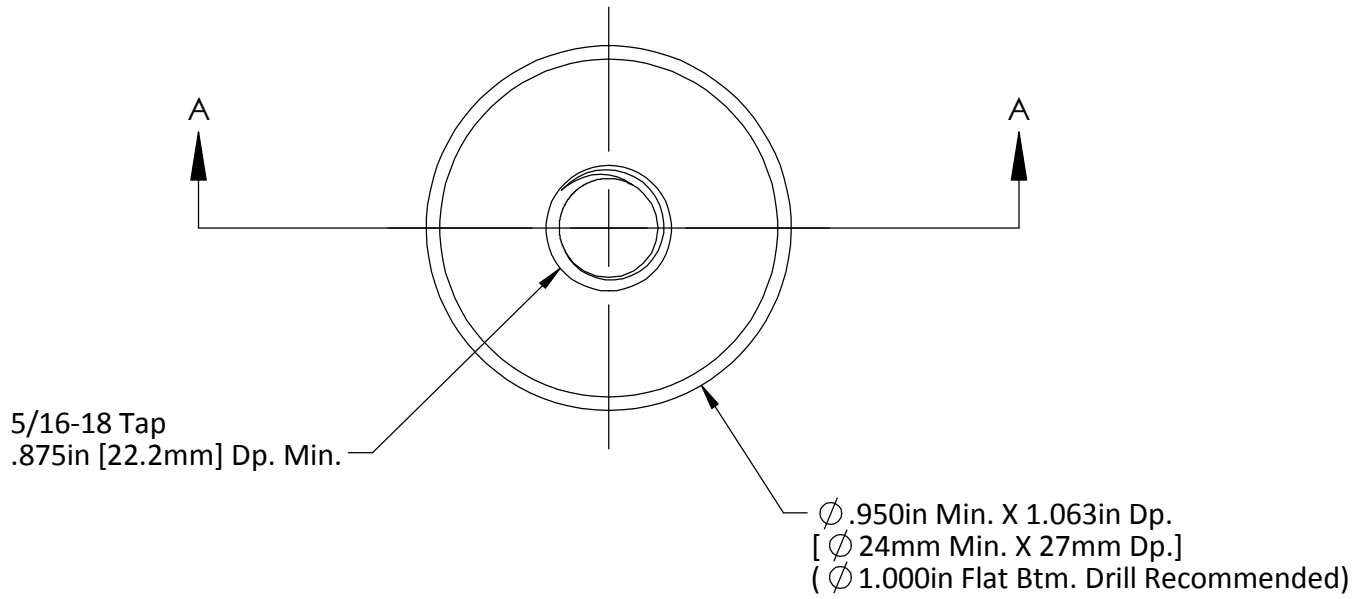


DO NOT SCALE DRAWING REV 2

This product may be covered by one or more patents or patent applications. See <http://www.standardlifters.com/patents.html> for details.

SE-.875-.156-S-A-T

STANDARD LIFTERS INC



SECTION A-A

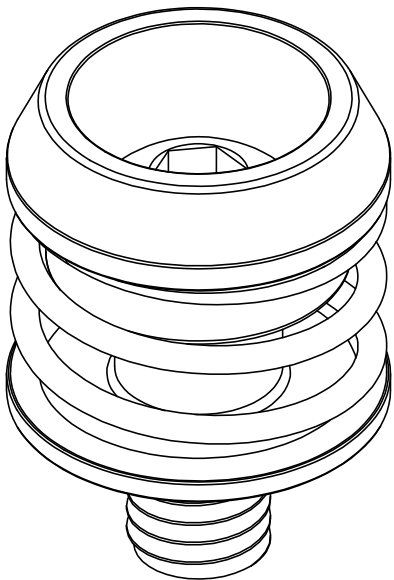
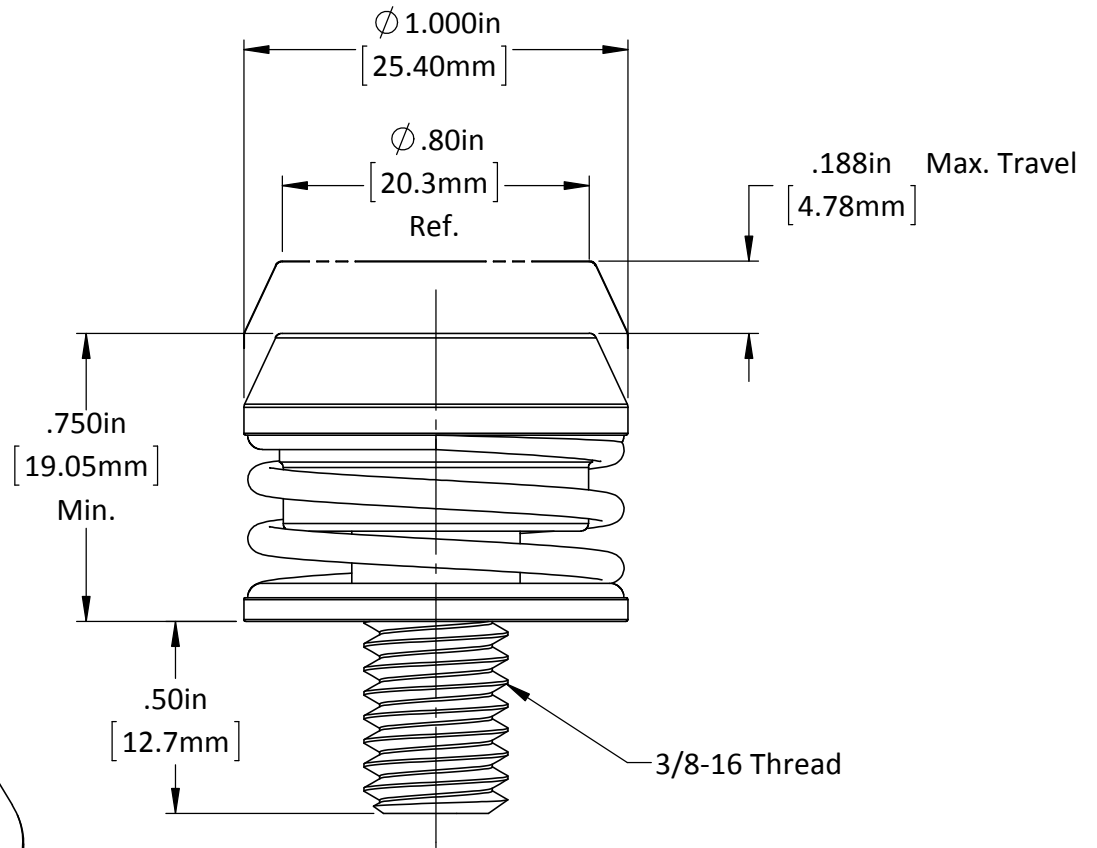
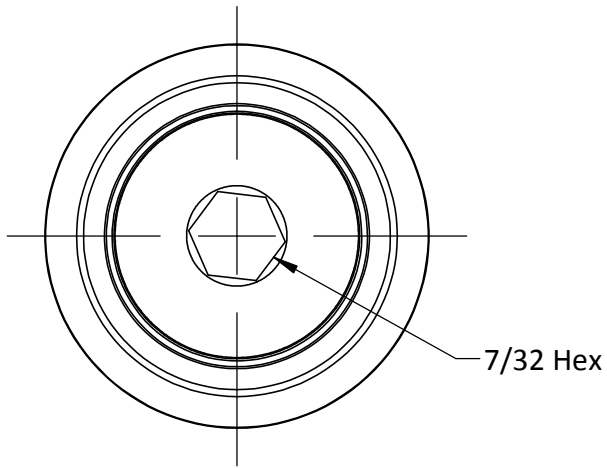
DO NOT SCALE DRAWING

REV 2

This product may be covered by one or more patents or patent applications.
See <http://www.standardlifters.com/patents.html> for details.

SE-.875-.156-S-A-T-Machining

STANDARD LIFTERS INC

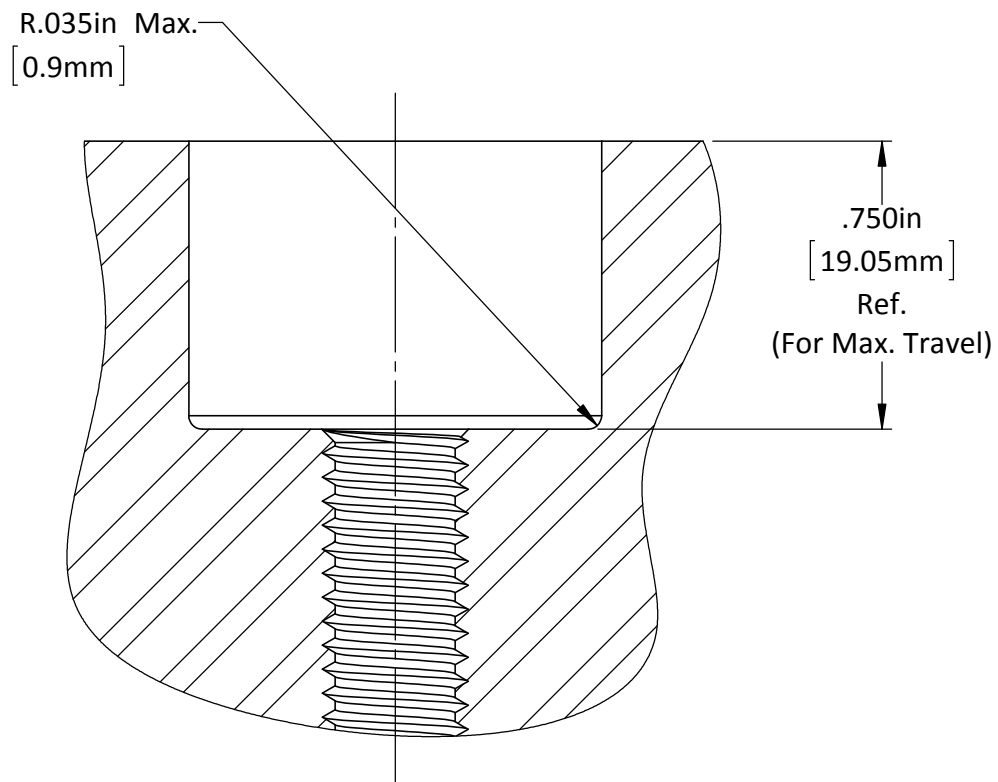
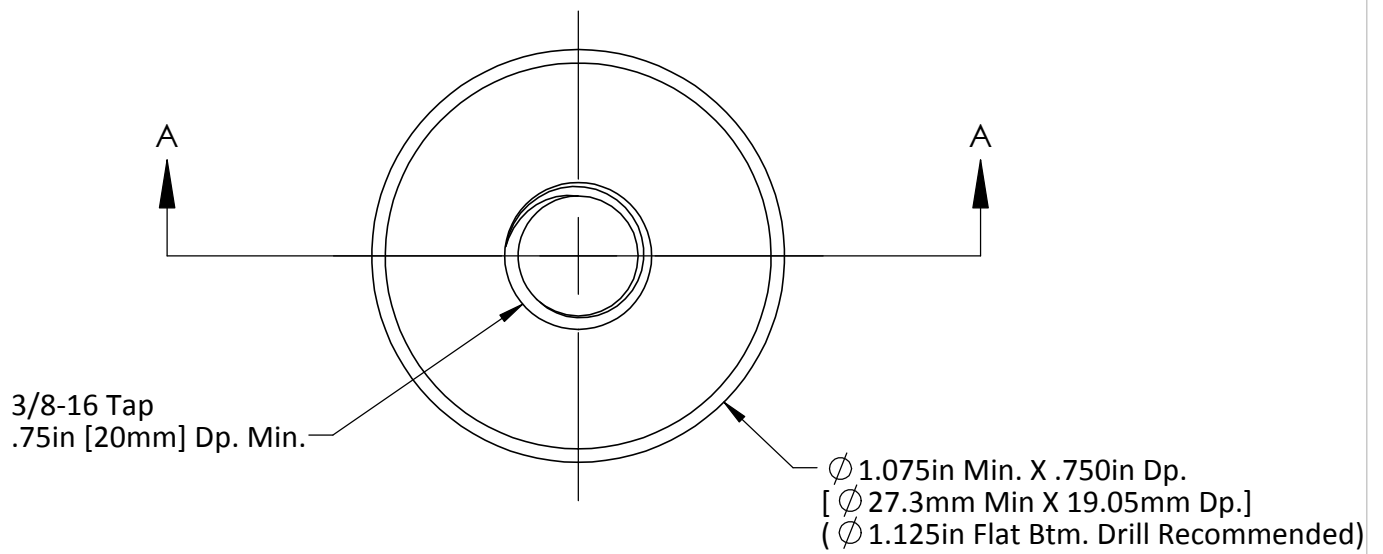


DO NOT SCALE DRAWING REV 1

This product may be covered by one or more patents or patent applications.
See <http://www.standardlifters.com/patents.html> for details.

SE-1.00-.188-S-A

STANDARD LIFTERS INC



SECTION A-A

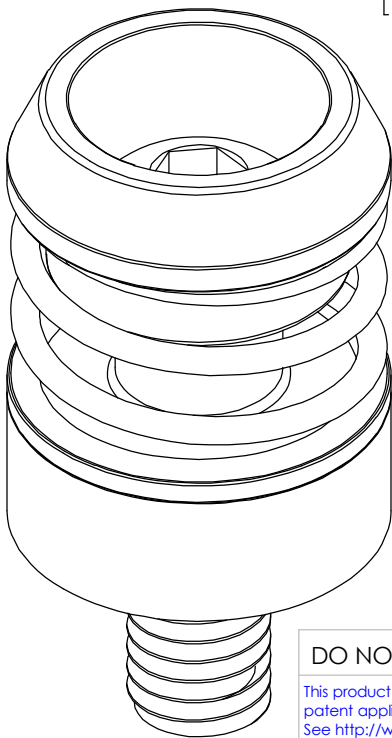
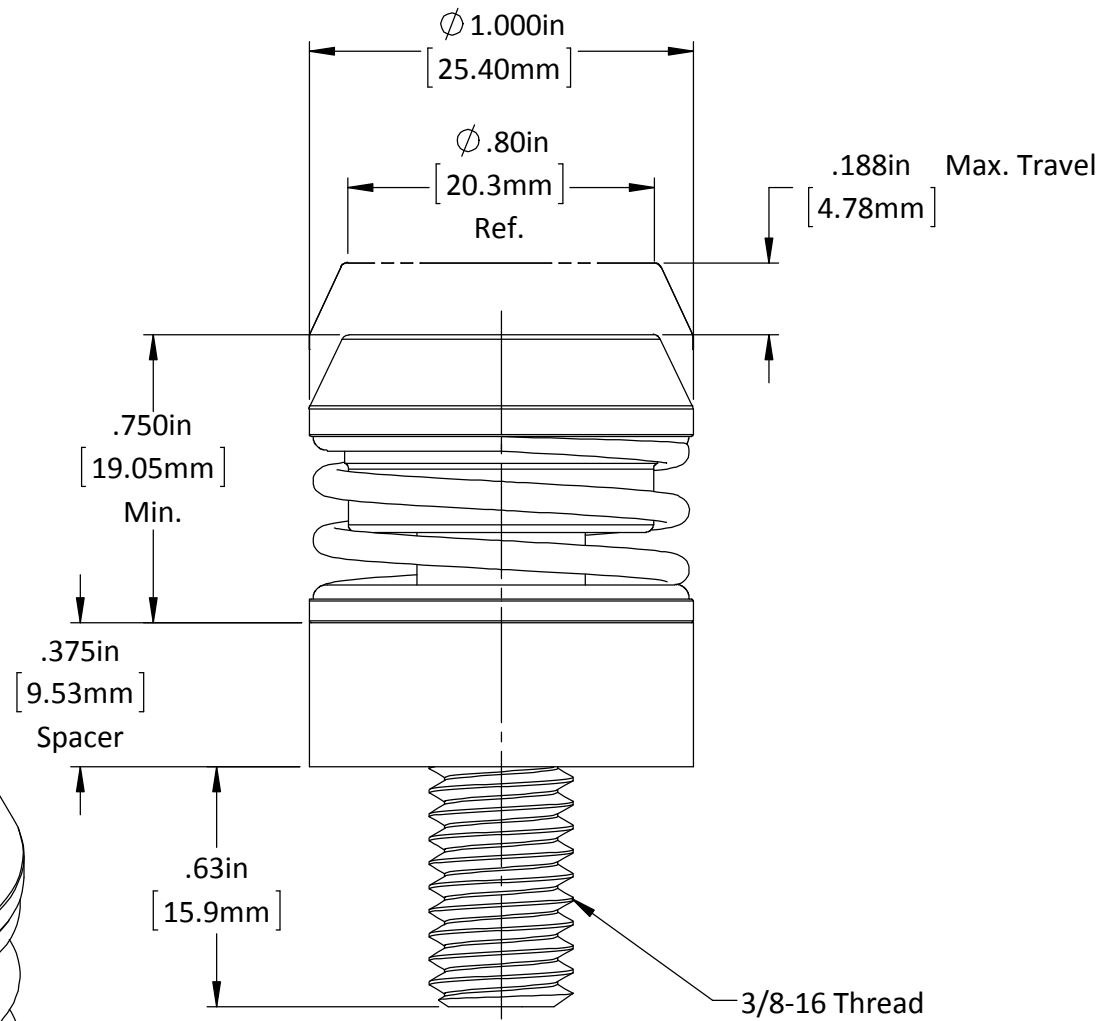
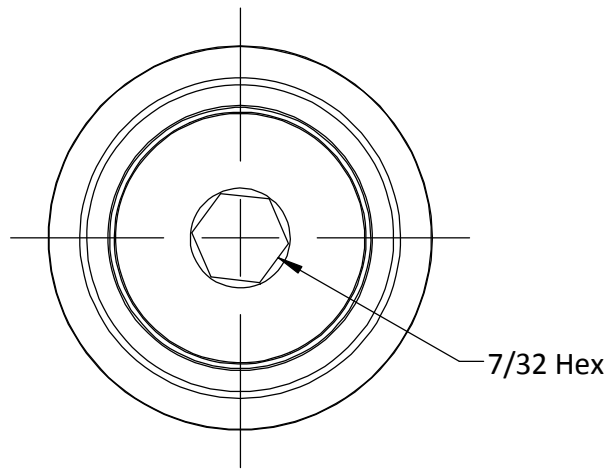
DO NOT SCALE DRAWING

REV 1

This product may be covered by one or more patents or patent applications.
See <http://www.standardlifters.com/patents.html> for details.

SE-1.00-.188-S-A-Machining

STANDARD LIFTERS INC

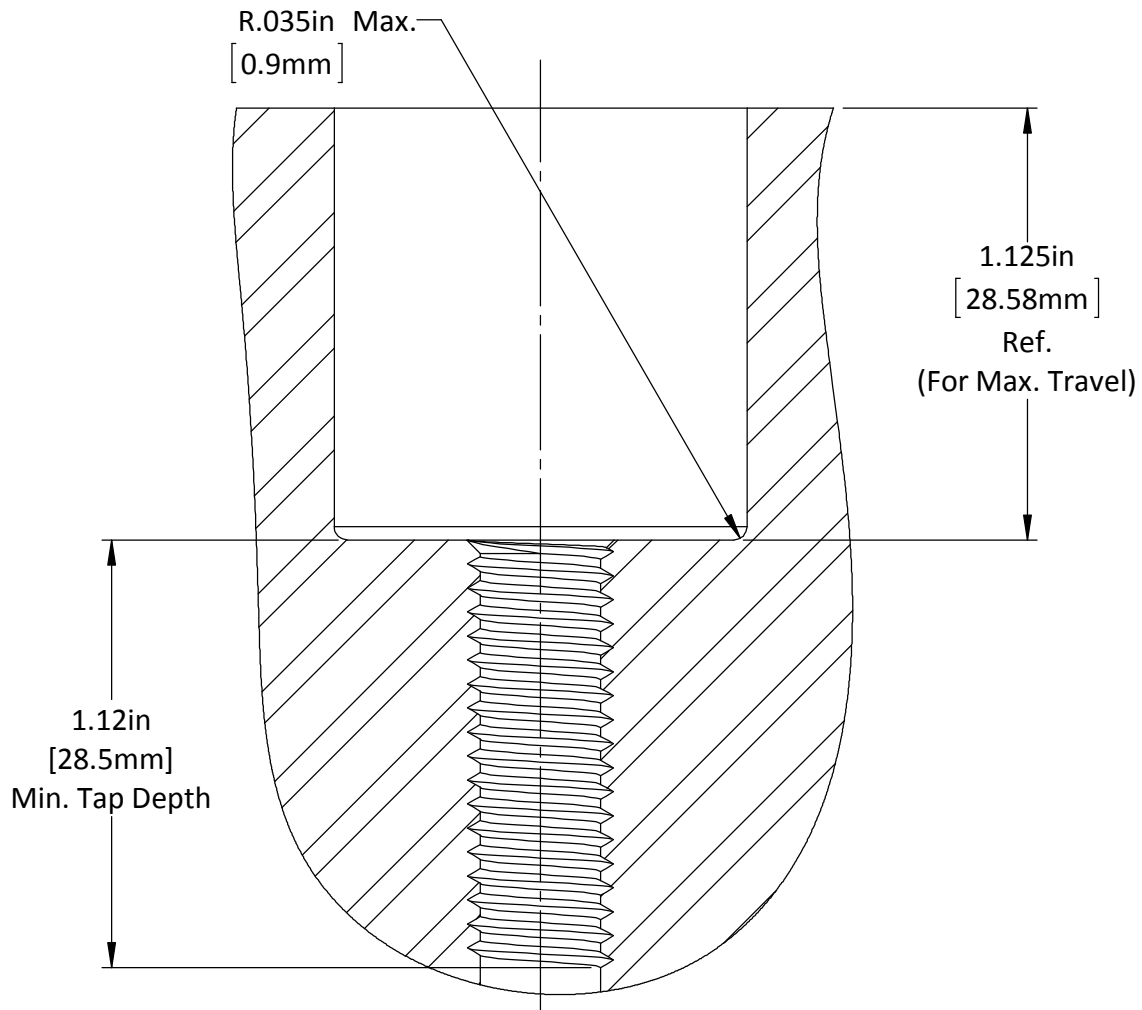
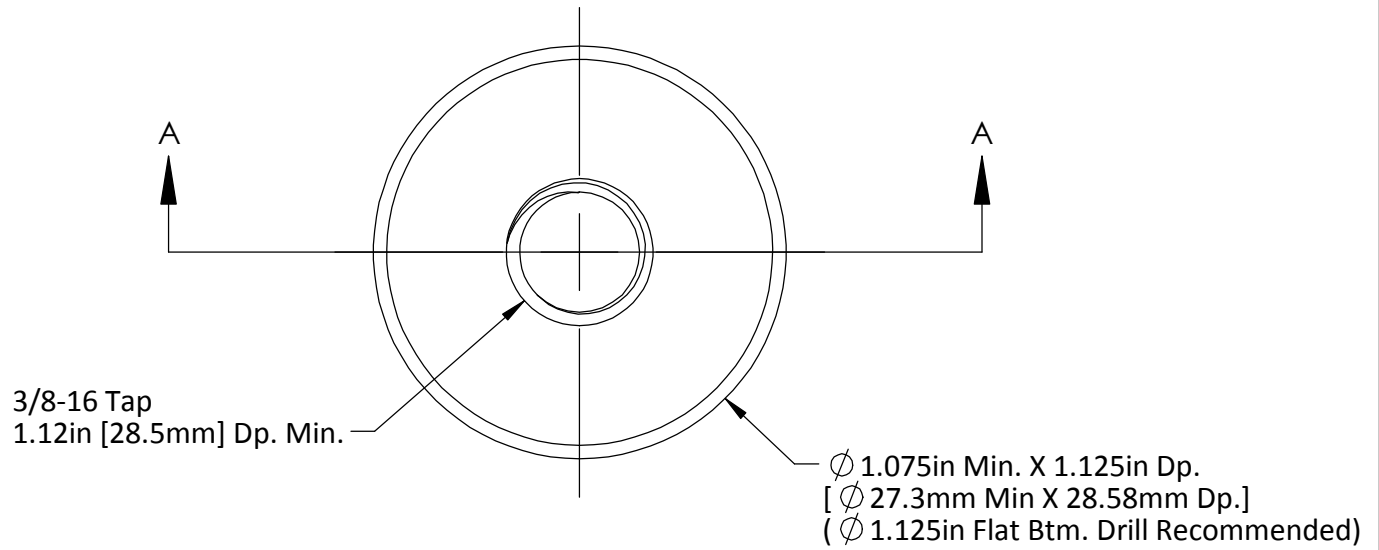


DO NOT SCALE DRAWING REV 2

This product may be covered by one or more patents or patent applications. See <http://www.standardlifters.com/patents.html> for details.

SE-1.00-.188-S-A-T

STANDARD LIFTERS INC



SECTION A-A

DO NOT SCALE DRAWING

REV 2

SE-1.00-.188-S-A-T-Machining

This product may be covered by one or more patents or patent applications.
See <http://www.standardlifters.com/patents.html> for details.

STANDARD LIFTERS INC