

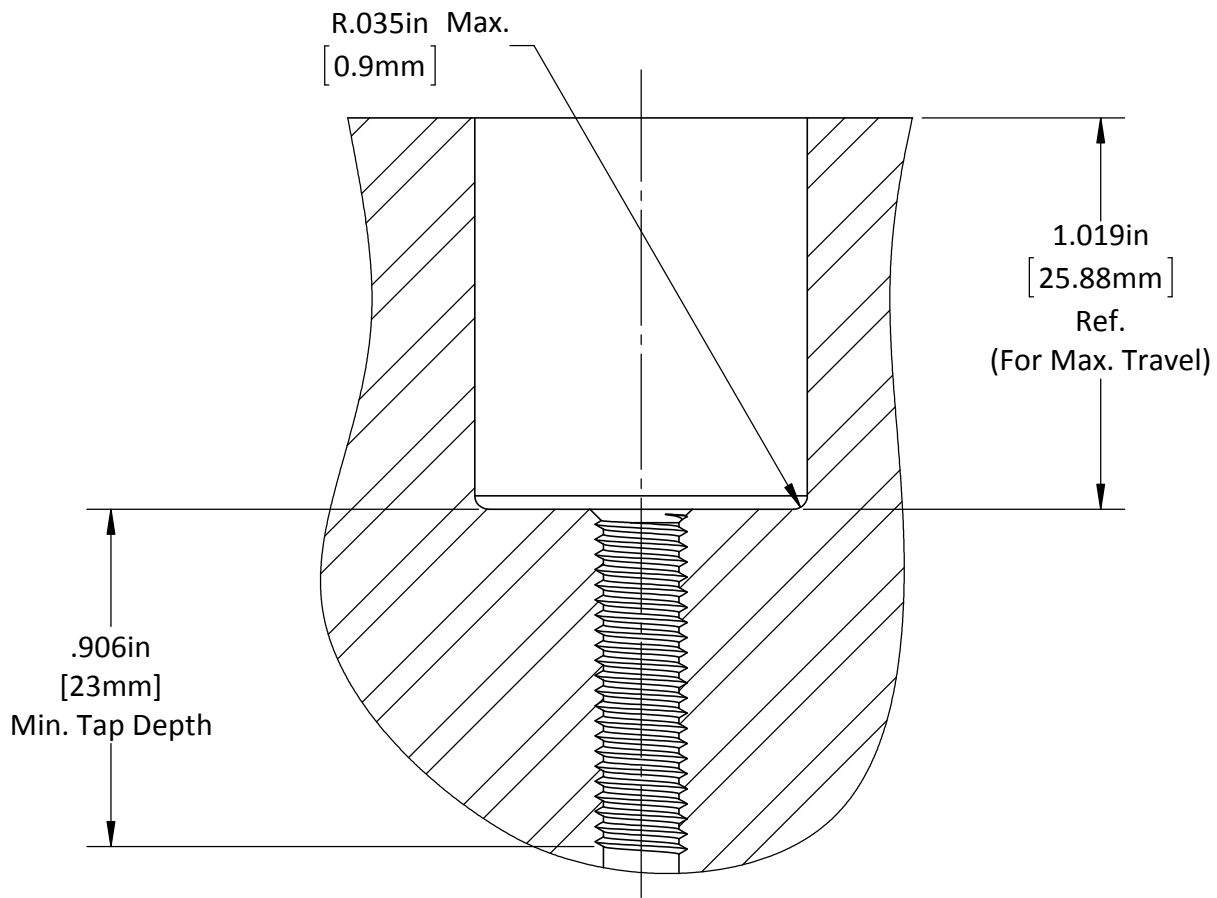
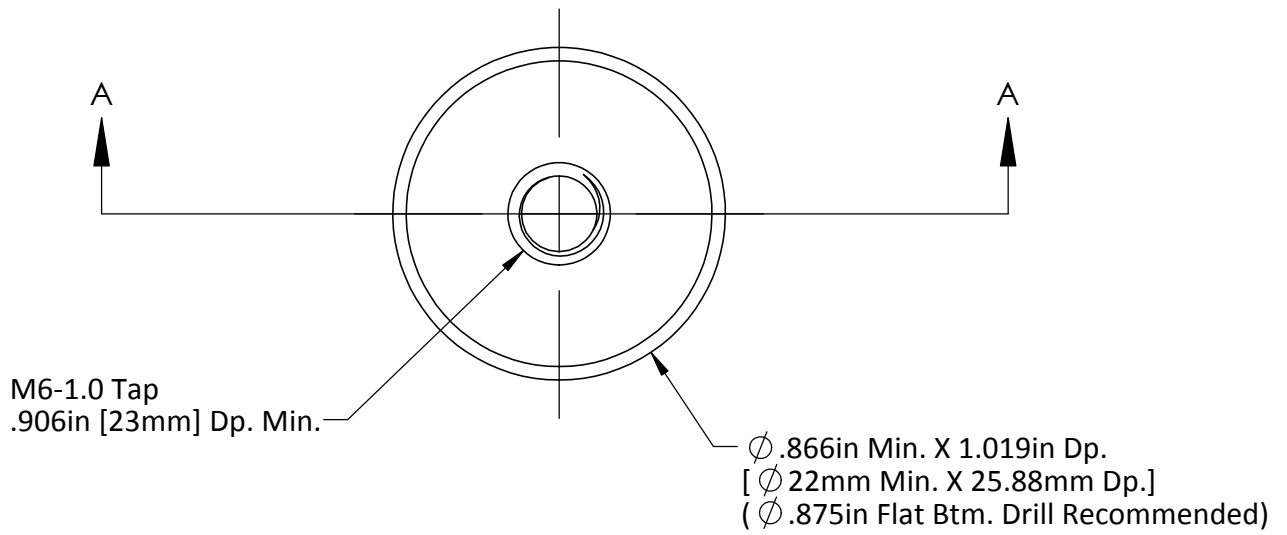
DO NOT SCALE DRAWING

REV 1

This product may be covered by one or more patents or patent applications.
 See <http://www.standardlifters.com/patents.html> for details.

SE-20mm-3.2mm-S-A-T

STANDARD LIFTERS INC



SECTION A-A

DO NOT SCALE DRAWING REV 1

This product may be covered by one or more patents or patent applications.
See <http://www.standardlifters.com/patents.html> for details.

SE-20mm-3.2mm-S-A-T-Machining

STANDARD LIFTERS INC