

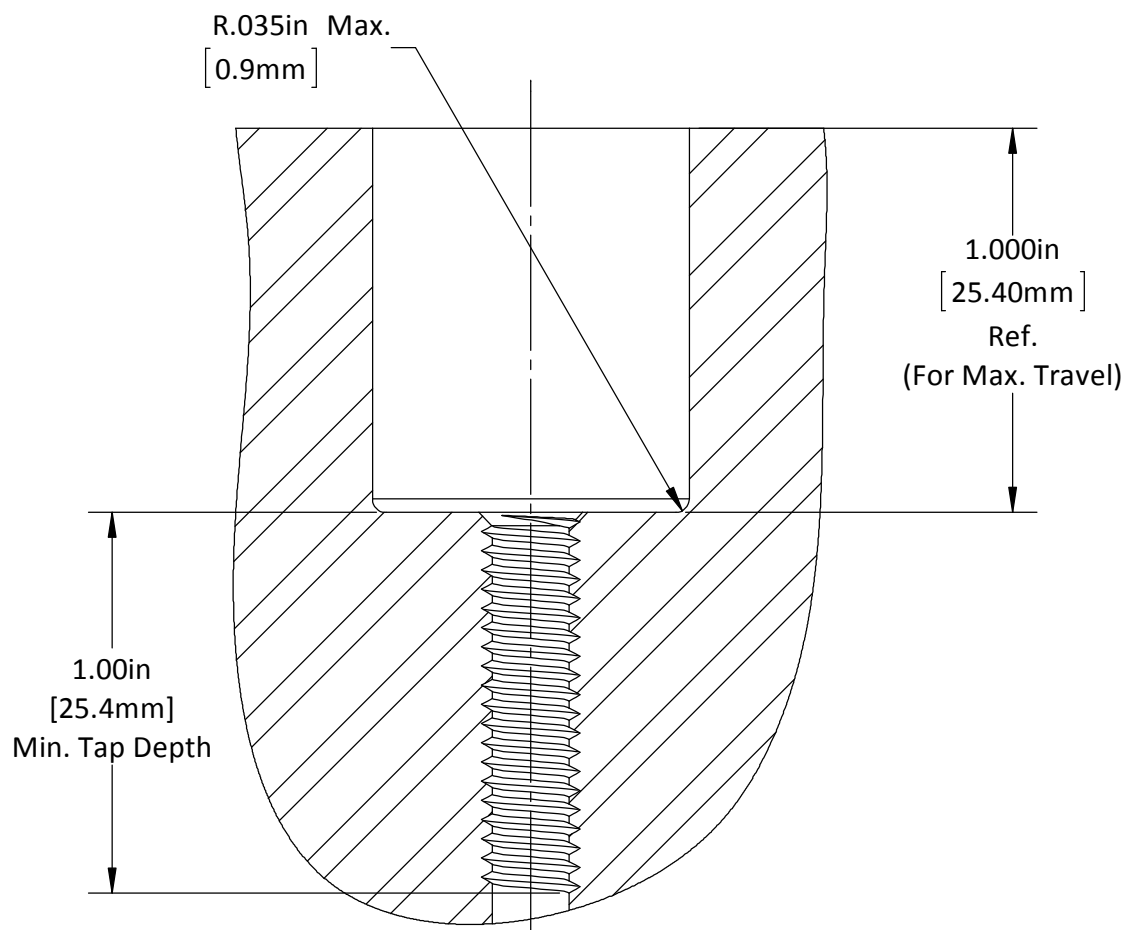
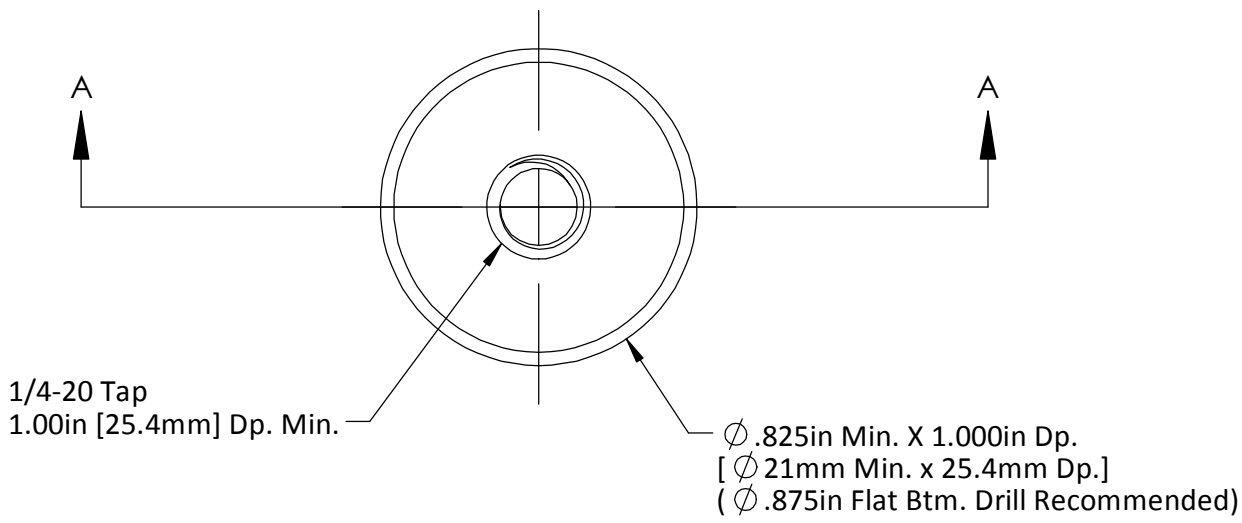
DO NOT SCALE DRAWING

REV 2

This product may be covered by one or more patents or patent applications.  
 See <http://www.standardlifters.com/patents.html> for details.

**SE-.750-.125-S-A-T**

STANDARD LIFTERS INC



SECTION A-A