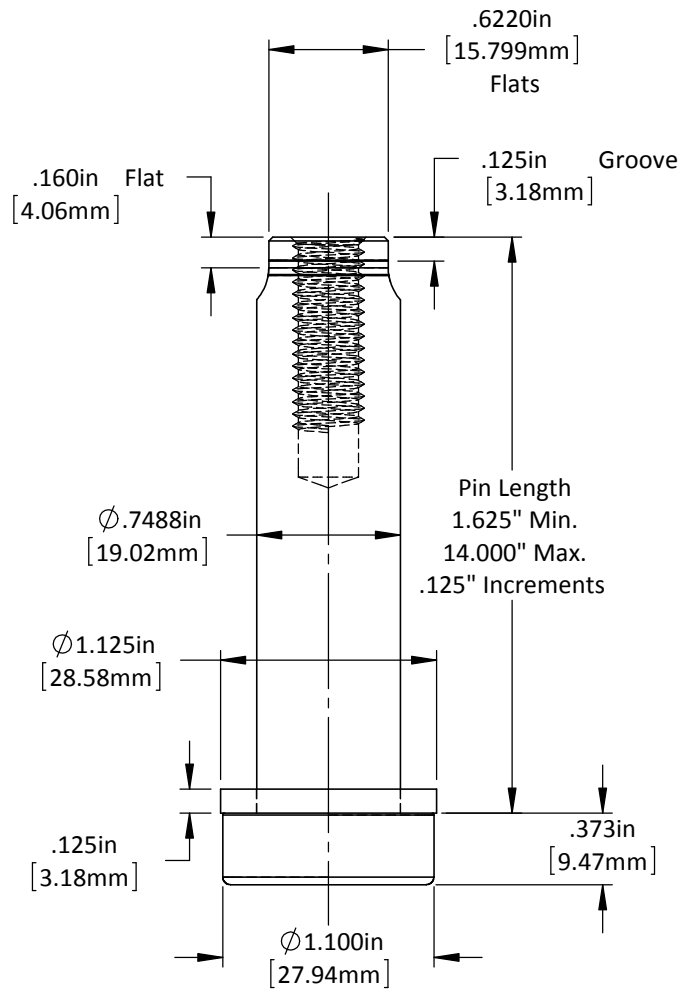
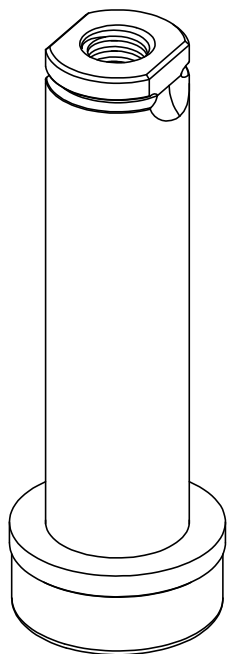


"E" = 3/8-16 Tap
1.00in Dp.

"M" = M10-1.5 Tap
25mm Dp.



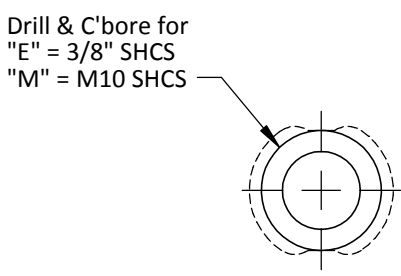
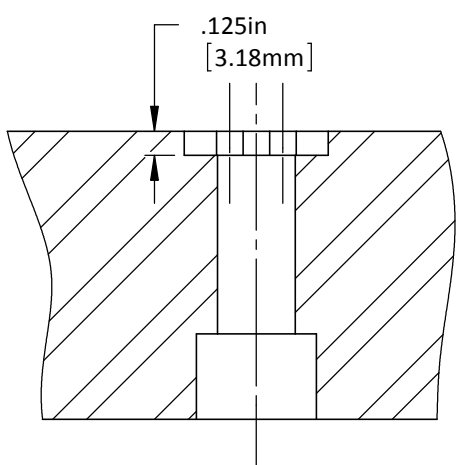
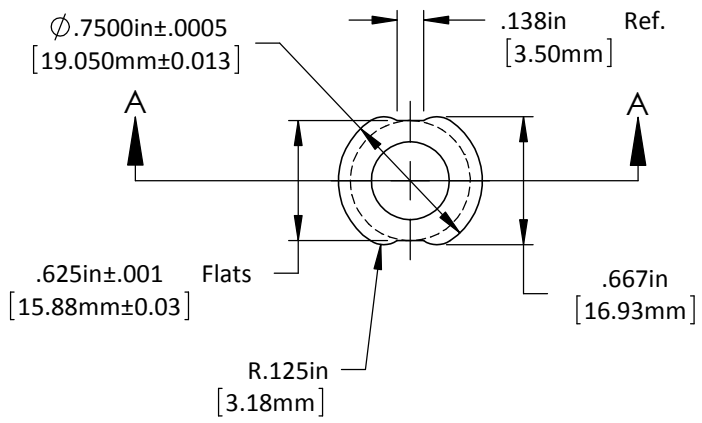
DO NOT SCALE DRAWING

REV 1

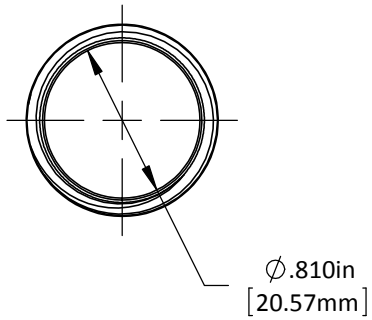
This product may be covered by one or more patents or patent applications.
See <http://www.standardlifters.com/patents.html> for details.

Guide Pin GK75

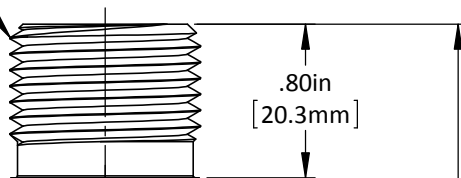
STANDARD LIFTERS INC



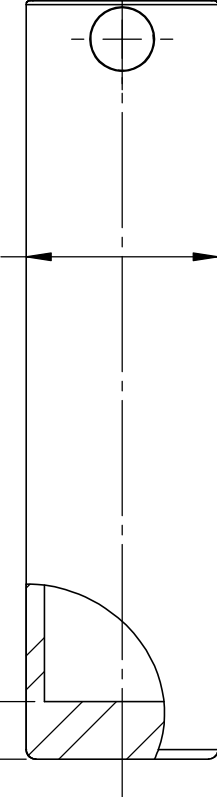
DO NOT SCALE DRAWING	REV 1	Guide Pin GK75-Machining STANDARD LIFTERS INC
This product may be covered by one or more patents or patent applications. See http://www.standardlifters.com/patents.html for details.		



1"-12 Thread

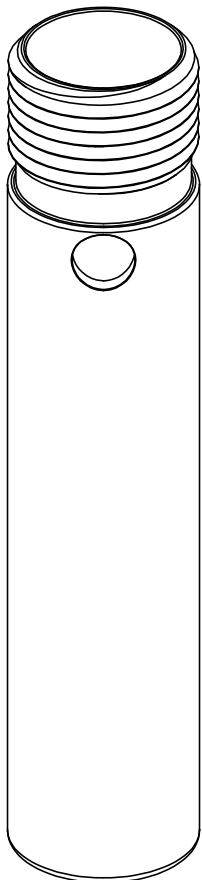
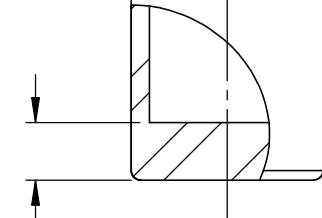


$\phi 1.000\text{in}$
[25.40mm]



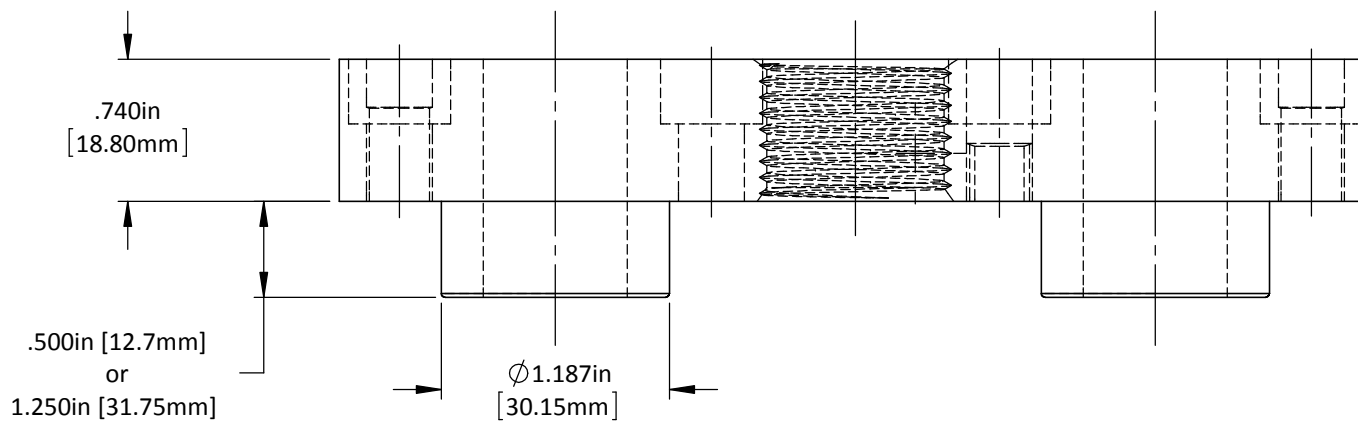
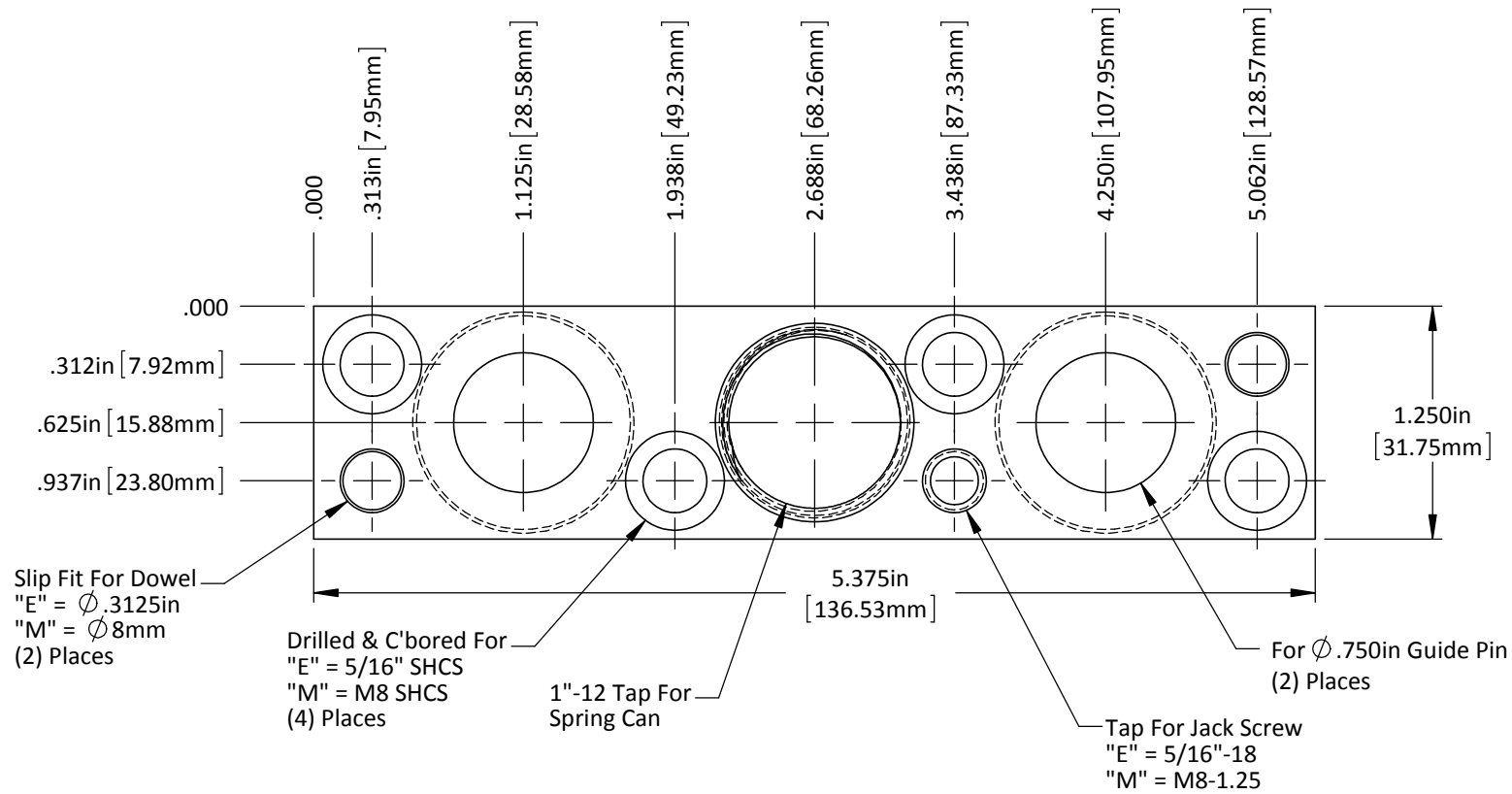
Spring Can
Overall Length
1.75" Min. - 9.25" Max.
.375" Increments

$.300\text{in}$
[7.62mm]



DO NOT SCALE DRAWING REV 1
This product may be covered by one or more patents or patent applications.
See <http://www.standardlifters.com/patents.html> for details.

Spring Can-MSR75
STANDARD LIFTERS INC



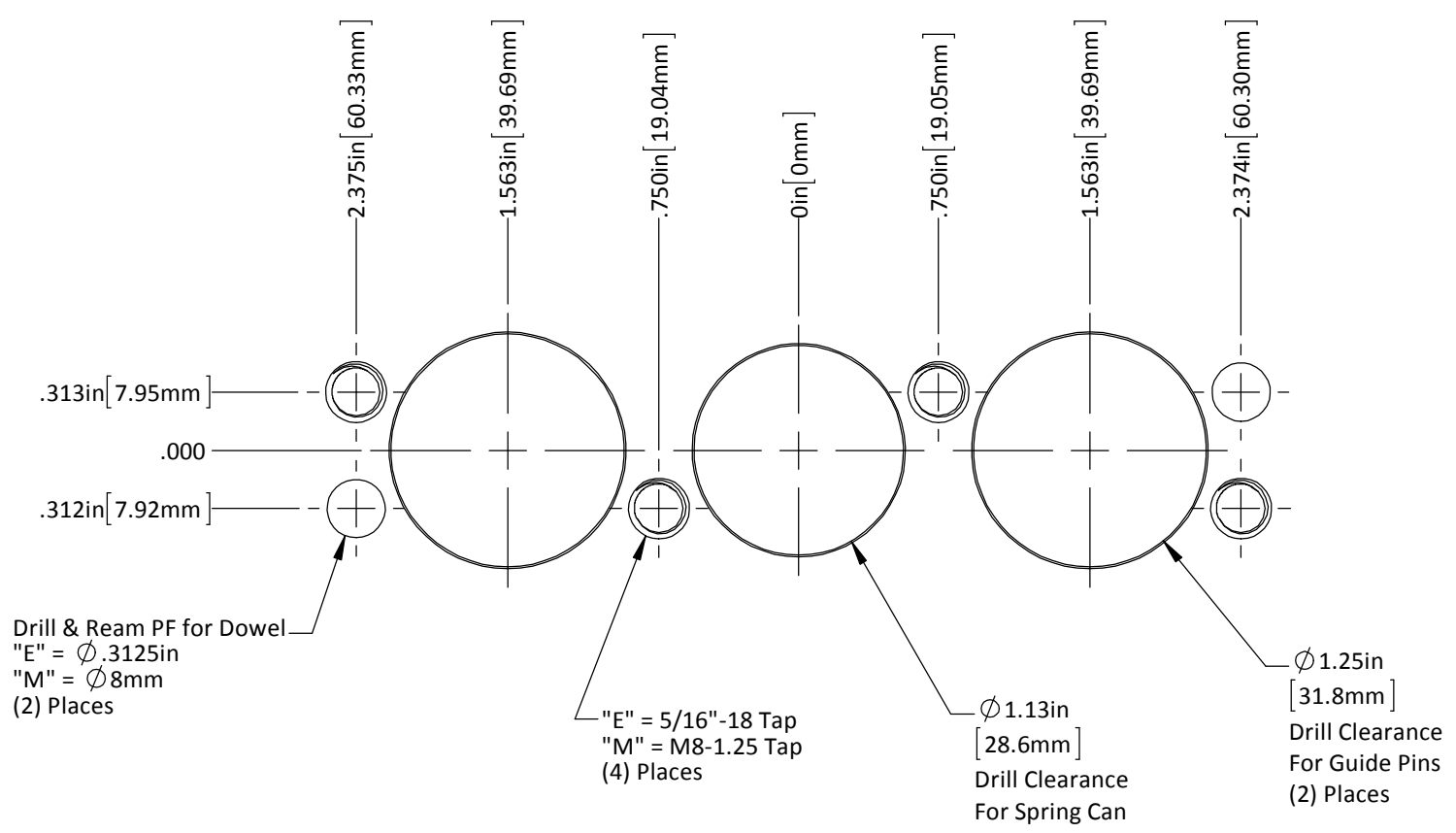
DO NOT SCALE DRAWING

REV 1

This product may be covered by one or more patents or
 patent applications.
 See <http://www.standardlifters.com/patents.html> for details.

Base-SM12-5.38

STANDARD LIFTERS INC

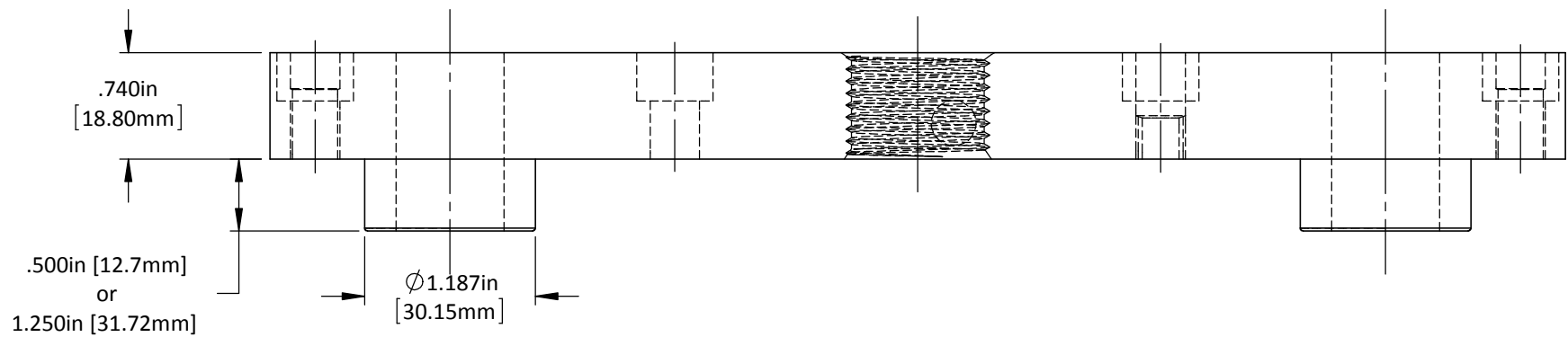
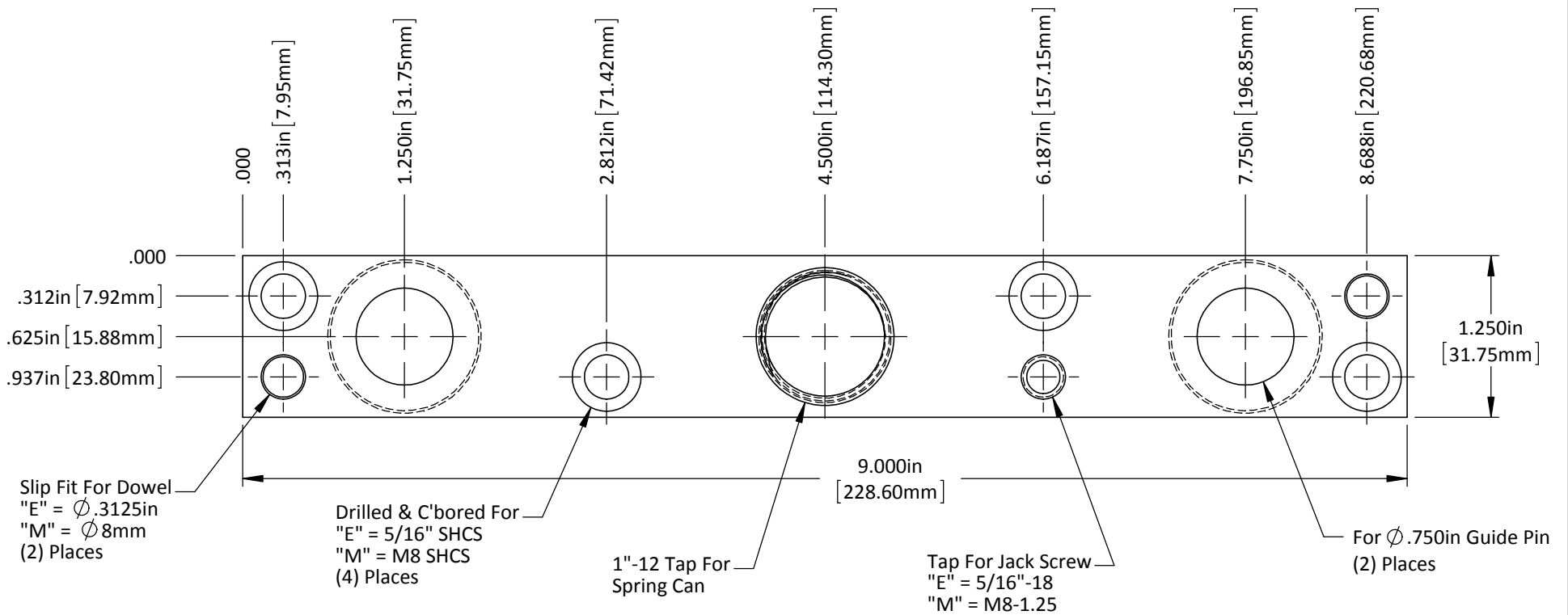


DO NOT SCALE DRAWING REV 2

This product may be covered by one or more patents or patent applications.
See <http://www.standardlifters.com/patents.html> for details.

Base-SM12-5.38-Machining

STANDARD LIFTERS INC



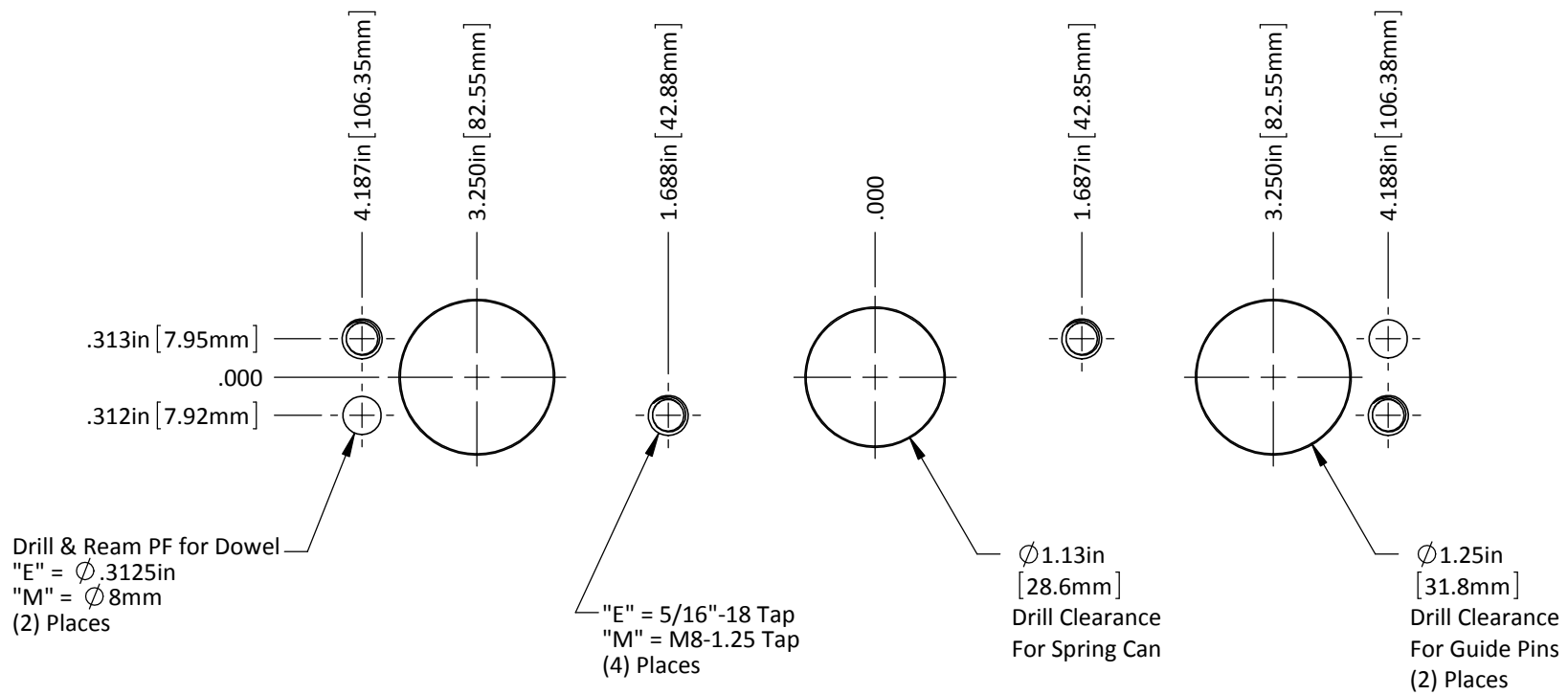
DO NOT SCALE DRAWING

REV 1

This product may be covered by one or more patents or
 patent applications.
 See <http://www.standardlifters.com/patents.html> for details.

Base-SM12-9

STANDARD LIFTERS INC



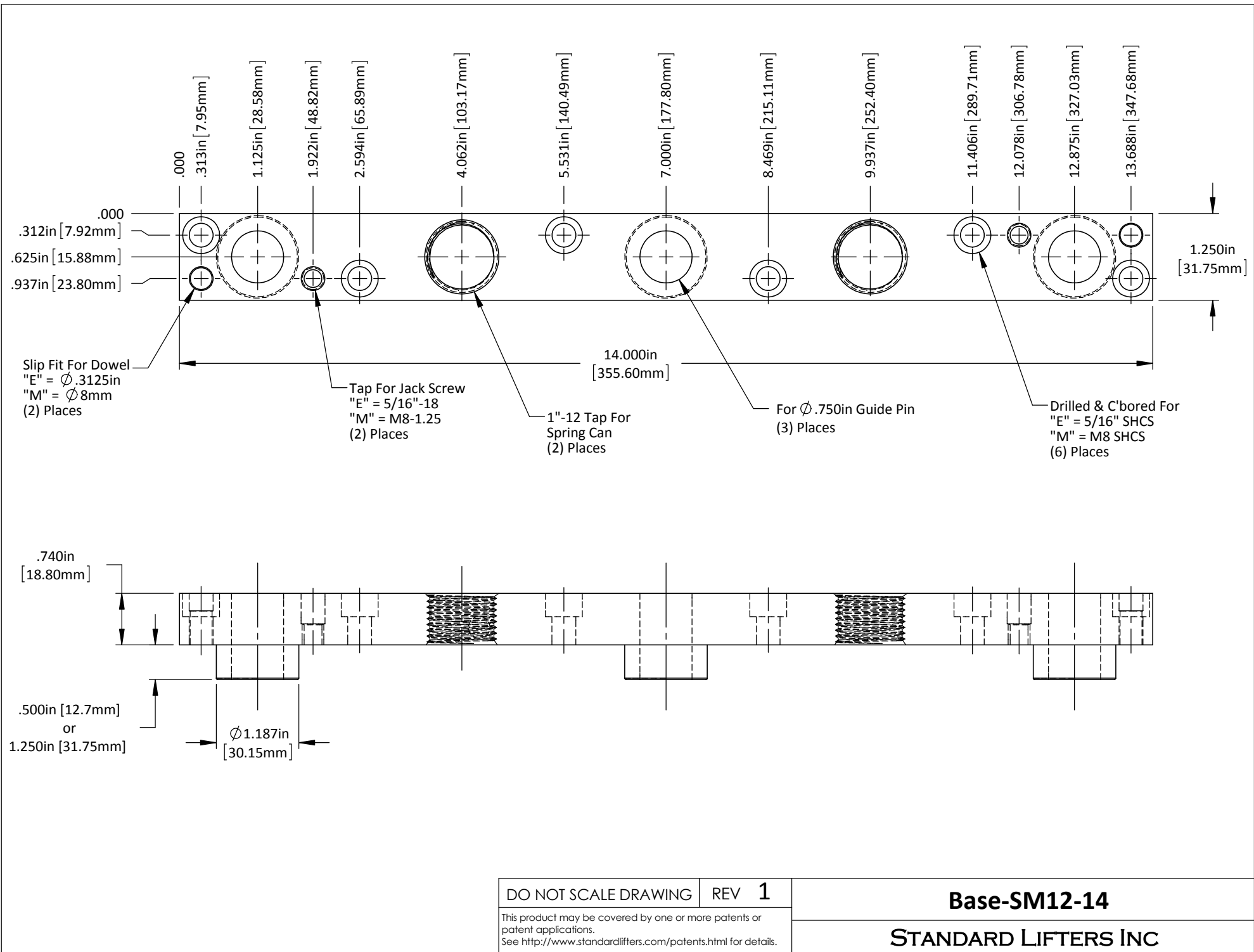
DO NOT SCALE DRAWING

REV 1

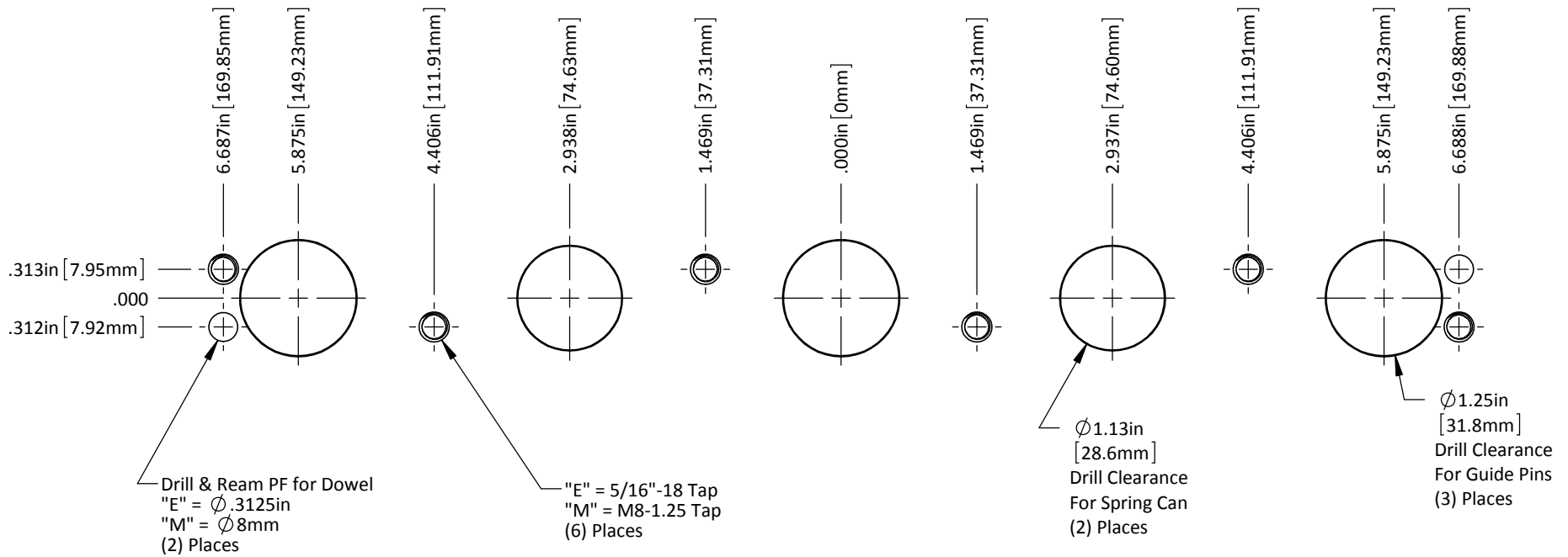
This product may be covered by one or more patents or patent applications.
See <http://www.standardlifters.com/patents.html> for details.

Base-SM12-9-Machining

STANDARD LIFTERS INC



DO NOT SCALE DRAWING	REV 1	Base-SM12-14
This product may be covered by one or more patents or patent applications. See http://www.standardlifters.com/patents.html for details.		



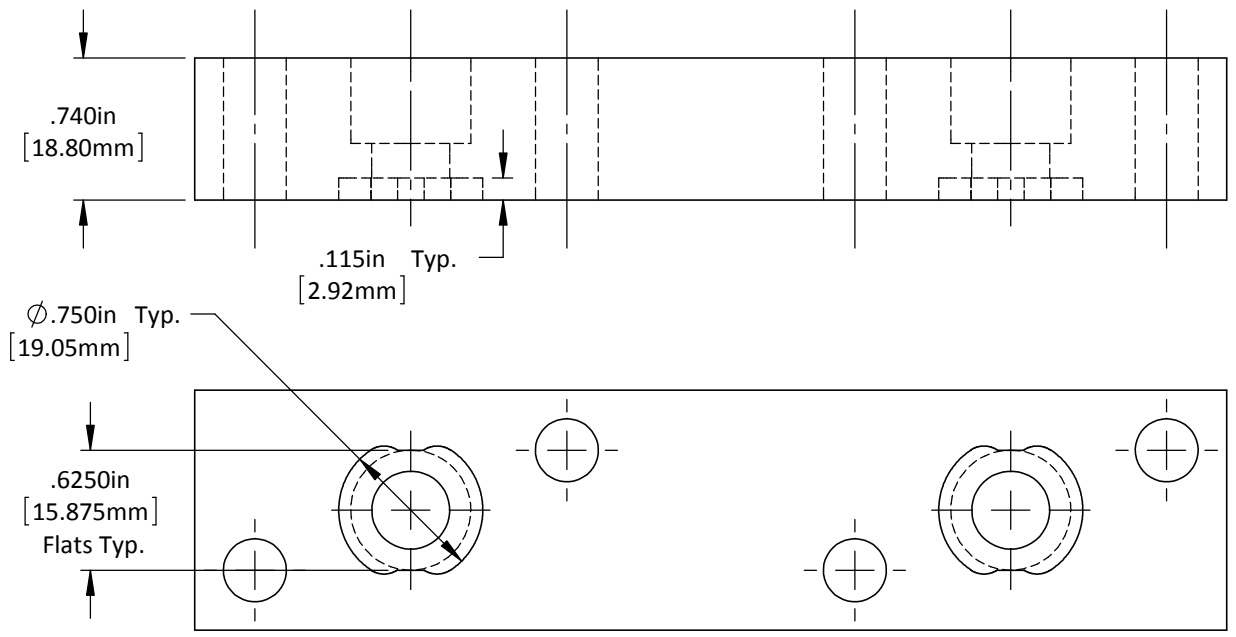
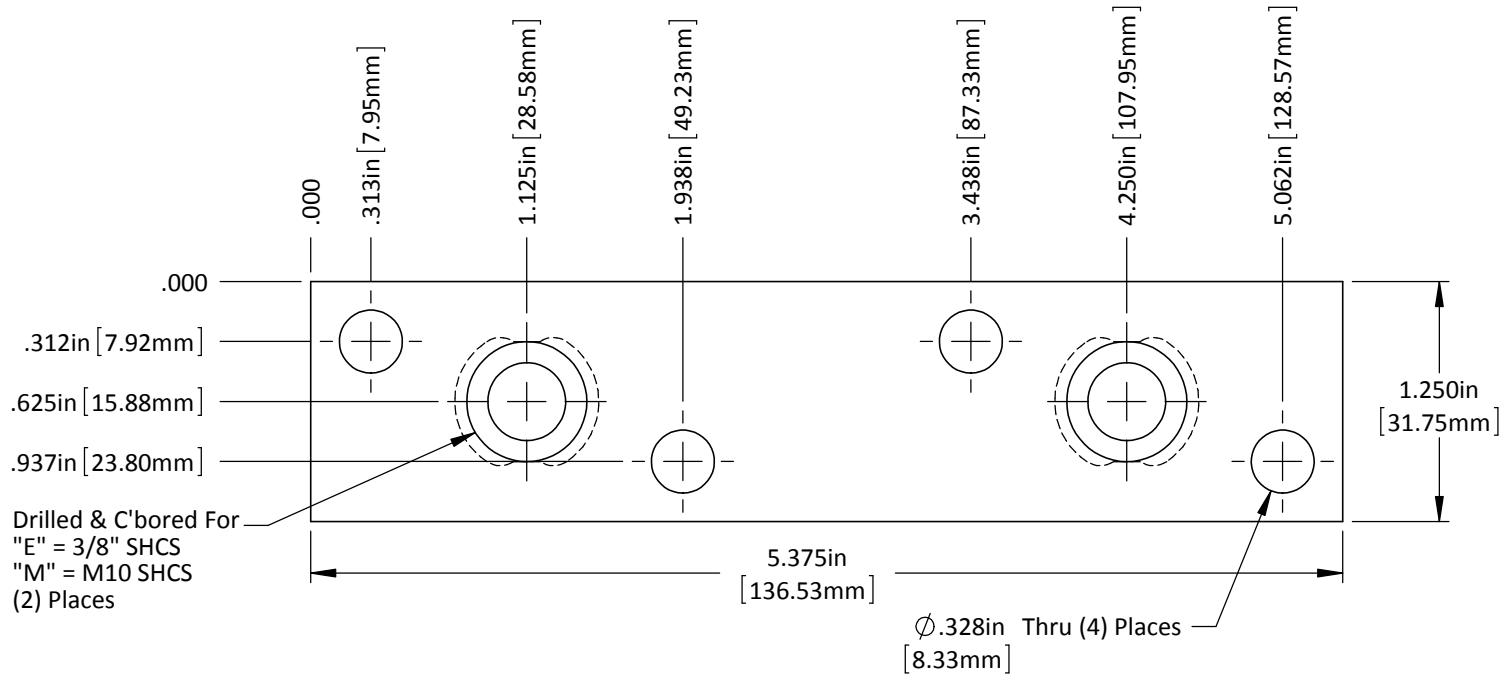
DO NOT SCALE DRAWING

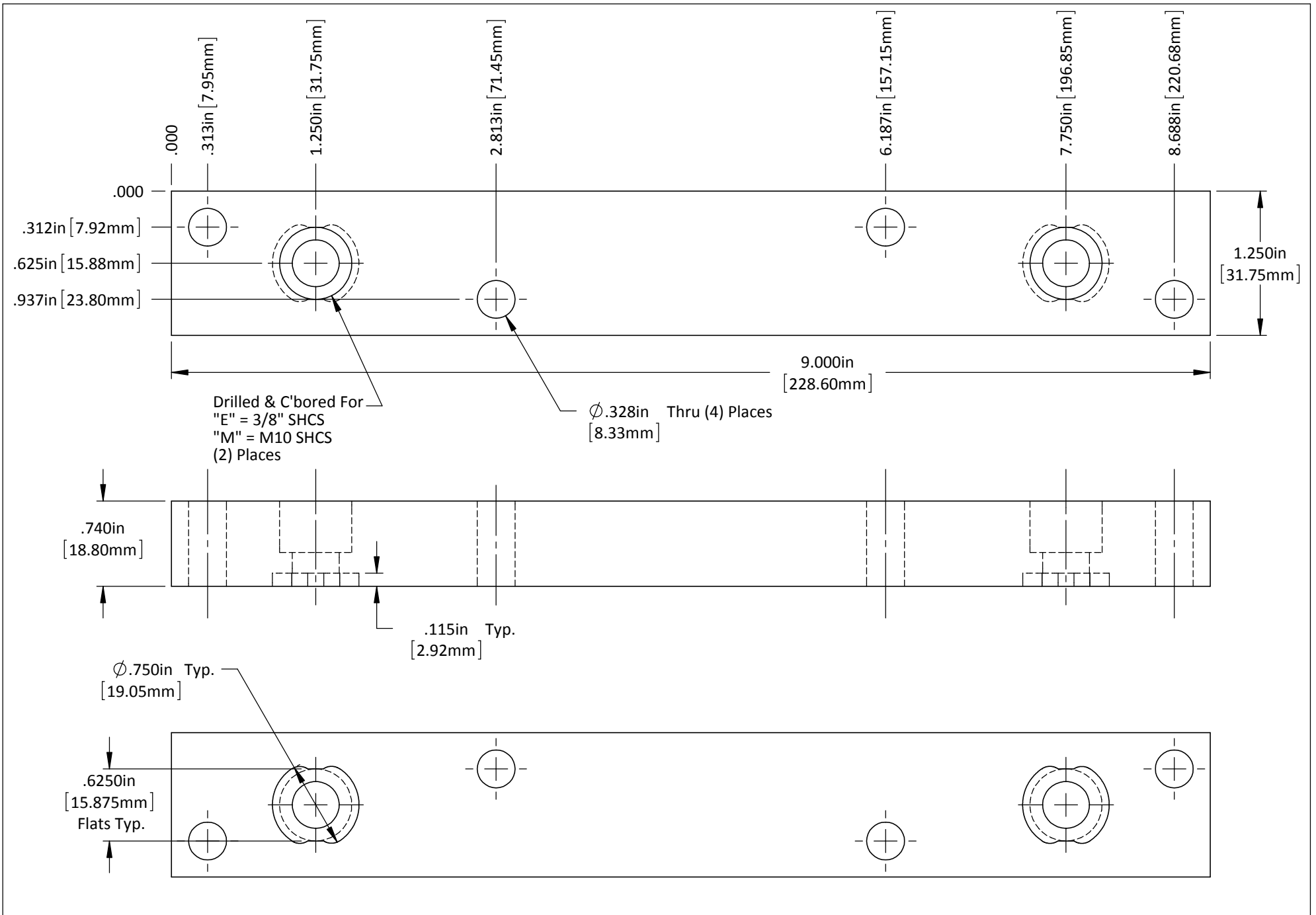
REV 1

This product may be covered by one or more patents or patent applications.
See <http://www.standardlifters.com/patents.html> for details.

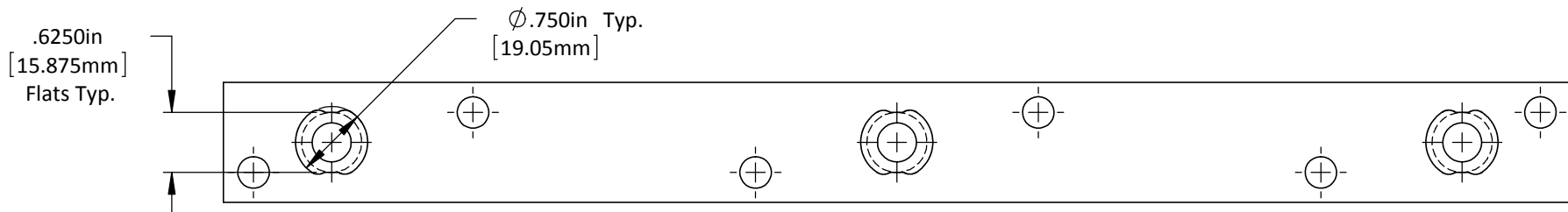
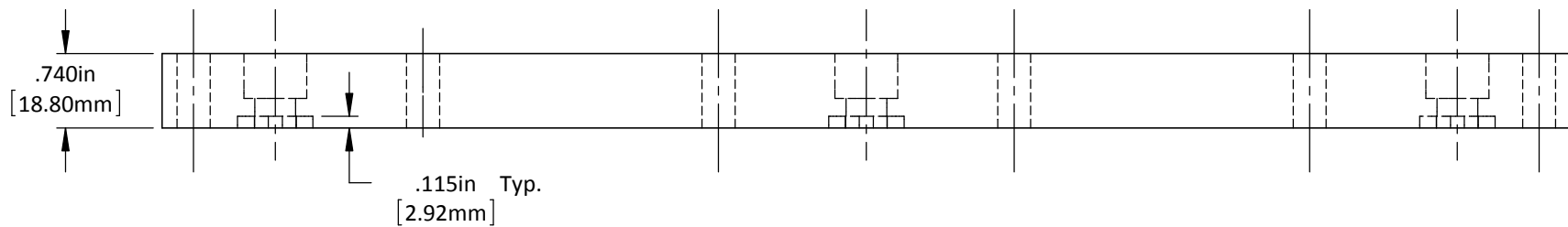
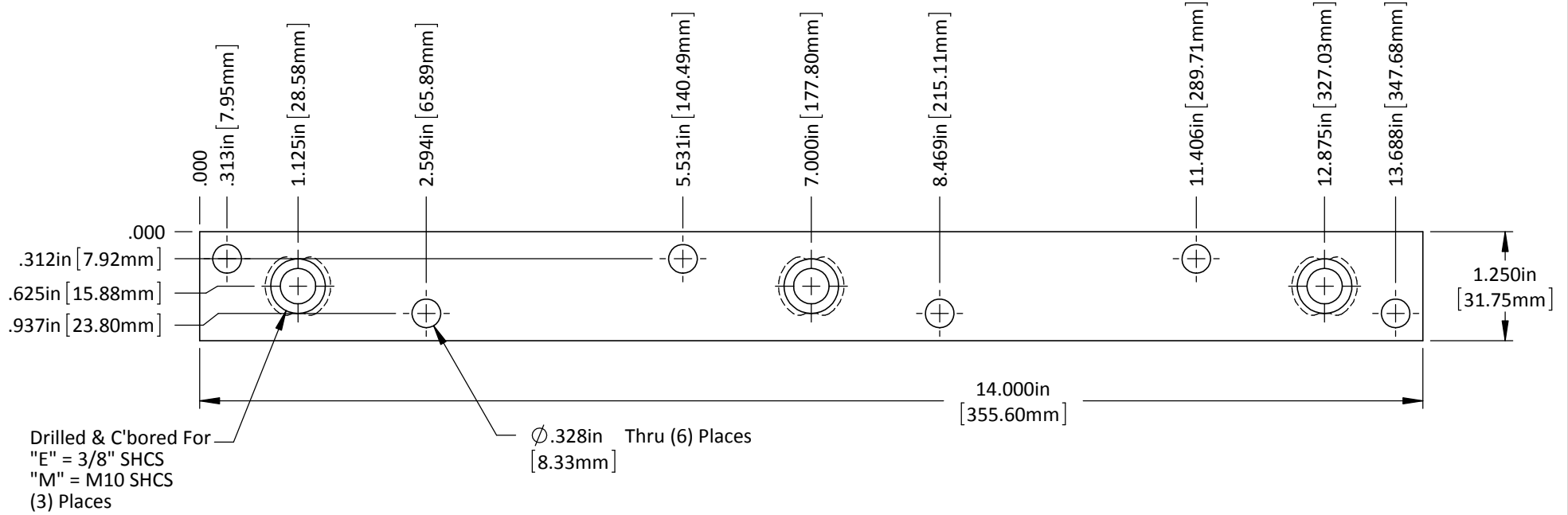
Base-SM12-14-Machining

STANDARD LIFTERS INC





DO NOT SCALE DRAWING	REV 1	Top Plate-SM12-9-A STANDARD LIFTERS INC
This product may be covered by one or more patents or patent applications. See http://www.standardlifters.com/patents.html for details.		



DO NOT SCALE DRAWING REV 1

This product may be covered by one or more patents or patent applications.
 See <http://www.standardlifters.com/patents.html> for details.

Top Plate-SM12-14-A

STANDARD LIFTERS INC