

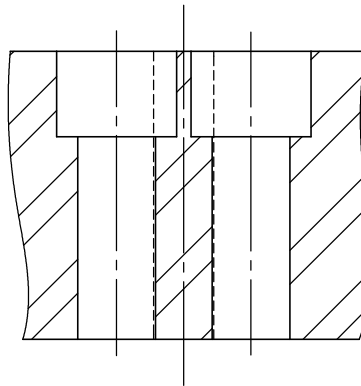
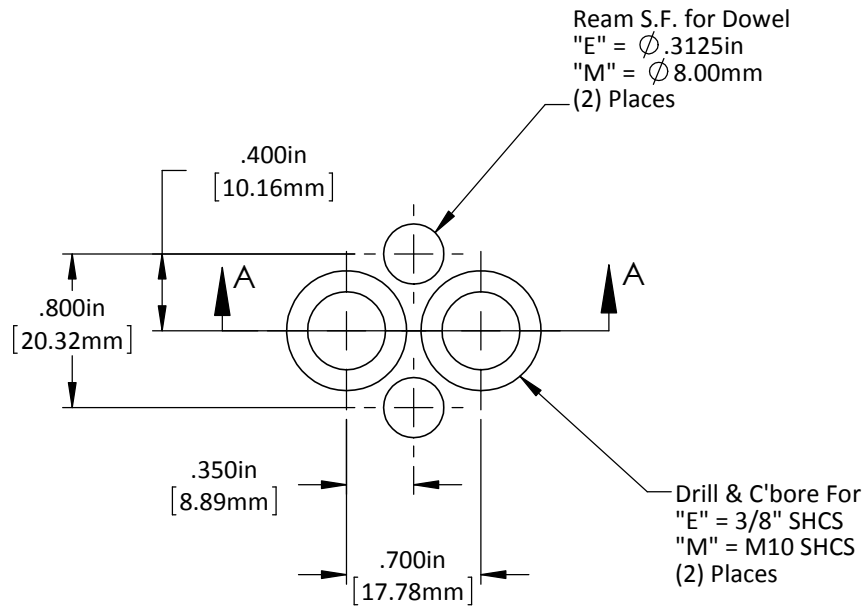
DO NOT SCALE DRAWING

REV 1

This product may be covered by one or more patents or patent applications.  
 See <http://www.standardlifters.com/patents.html> for details.

**Guide Pin SL19**

**STANDARD LIFTERS INC**



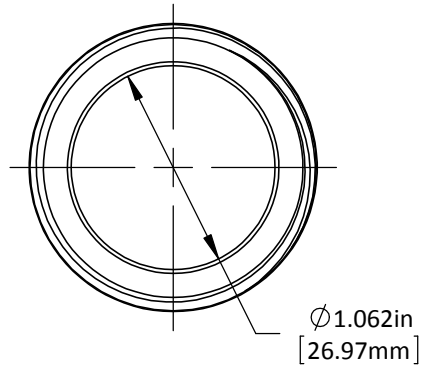
DO NOT SCALE DRAWING

REV 1

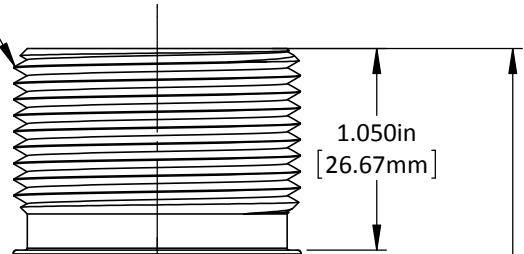
**Guide Pin SL19-Machining**

This product may be covered by one or more patents or patent applications.  
 See <http://www.standardlifters.com/patents.html> for details.

**STANDARD LIFTERS INC**

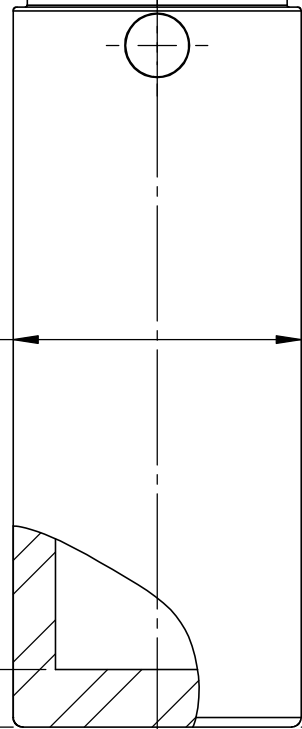


1 1/2"-12 Thread

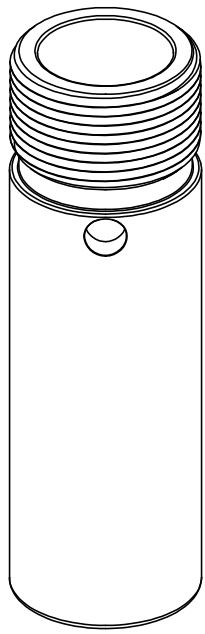


Spring Can  
Overall Length  
2.8" Min. - 12.3" Max.  
.5" Increments

$\varnothing 1.500\text{in}$   
[38.10mm]

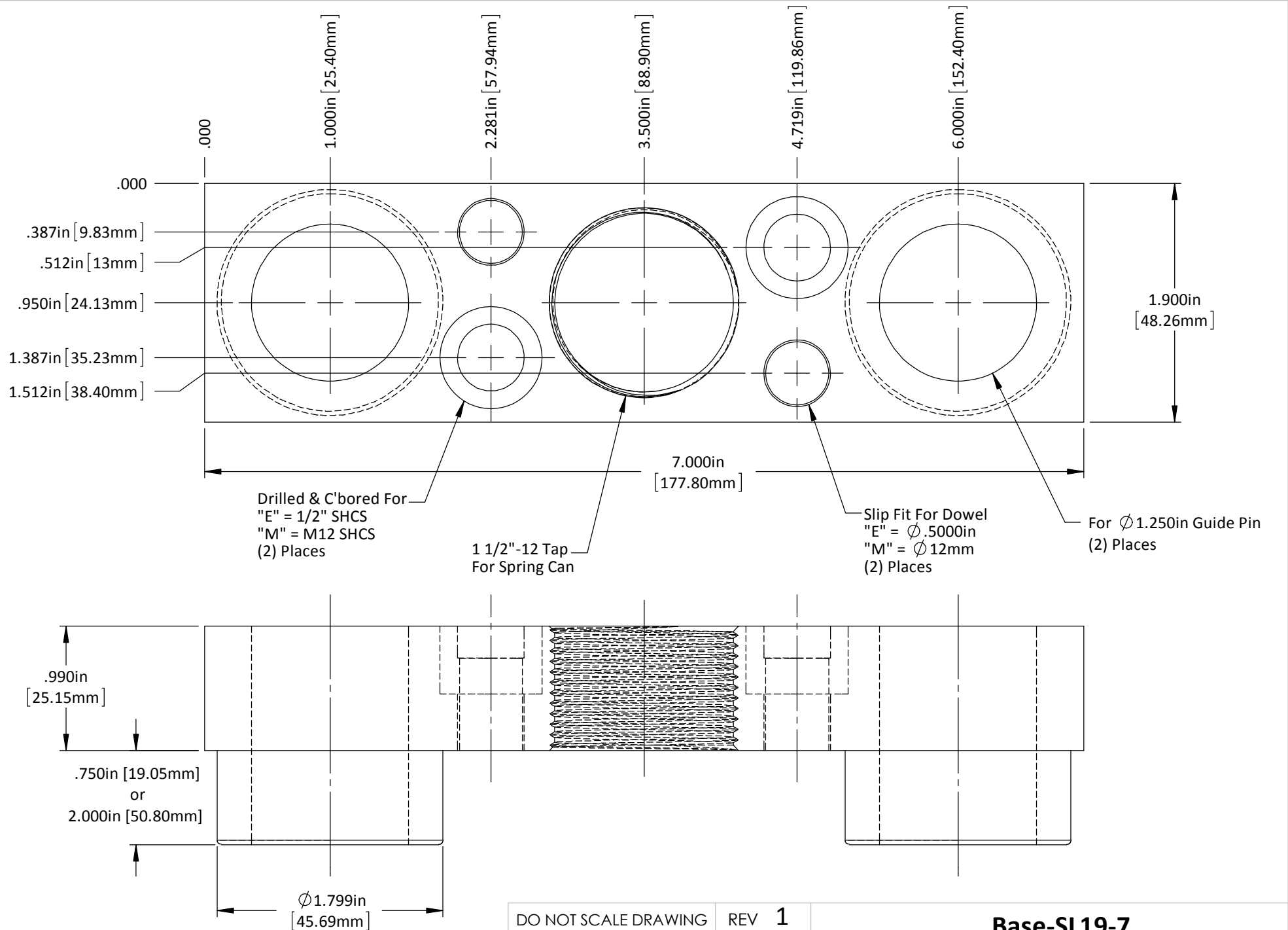


.300in  
[7.62mm]



DO NOT SCALE DRAWING    REV 1  
This product may be covered by one or more patents or patent applications.  
See <http://www.standardlifters.com/patents.html> for details.

**Spring Can-MSR100**  
**STANDARD LIFTERS INC**

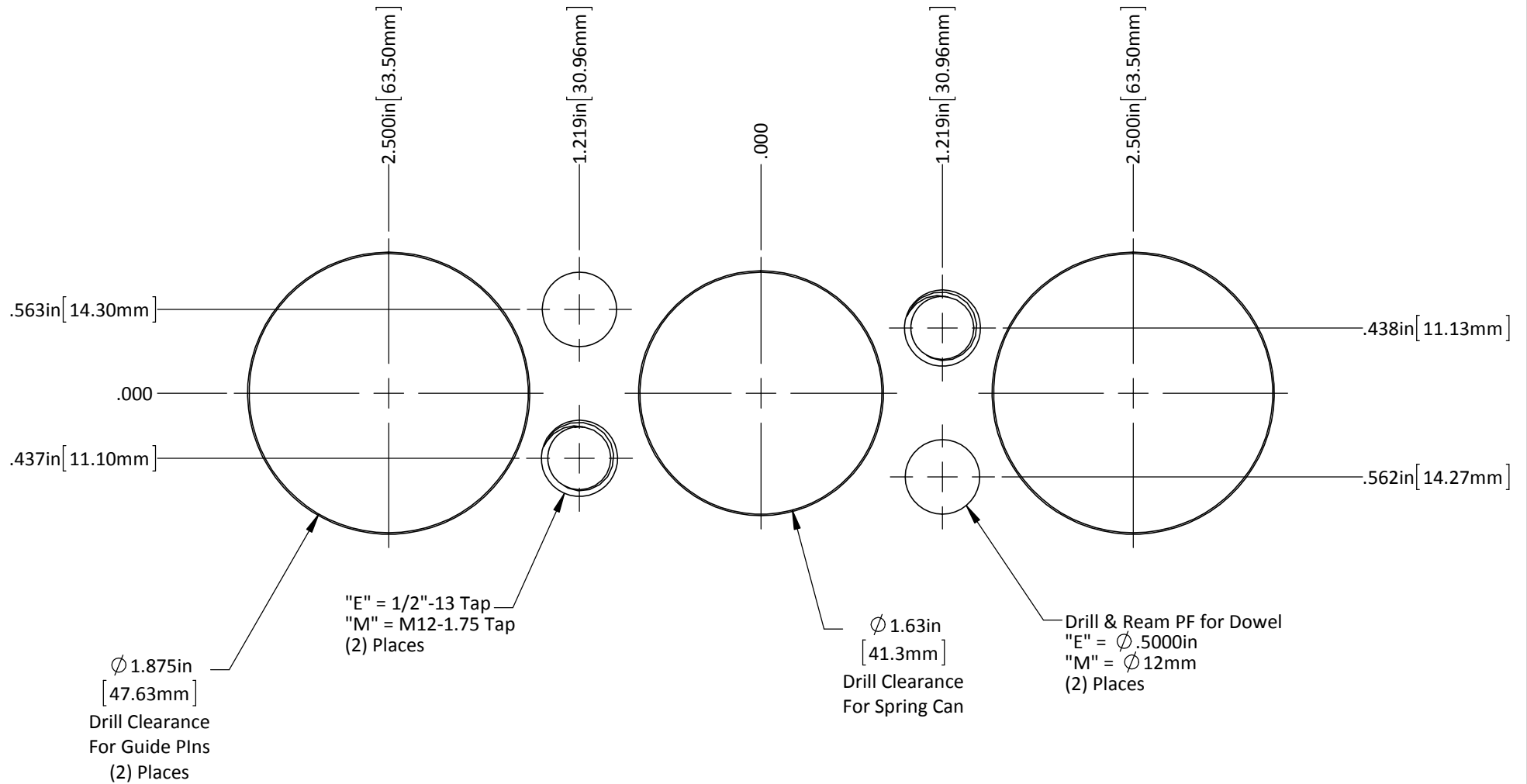


DO NOT SCALE DRAWING    REV 1

This product may be covered by one or more patents or patent applications. See <http://www.standardlifters.com/patents.html> for details.

**Base-SL19-7**

STANDARD LIFTERS INC



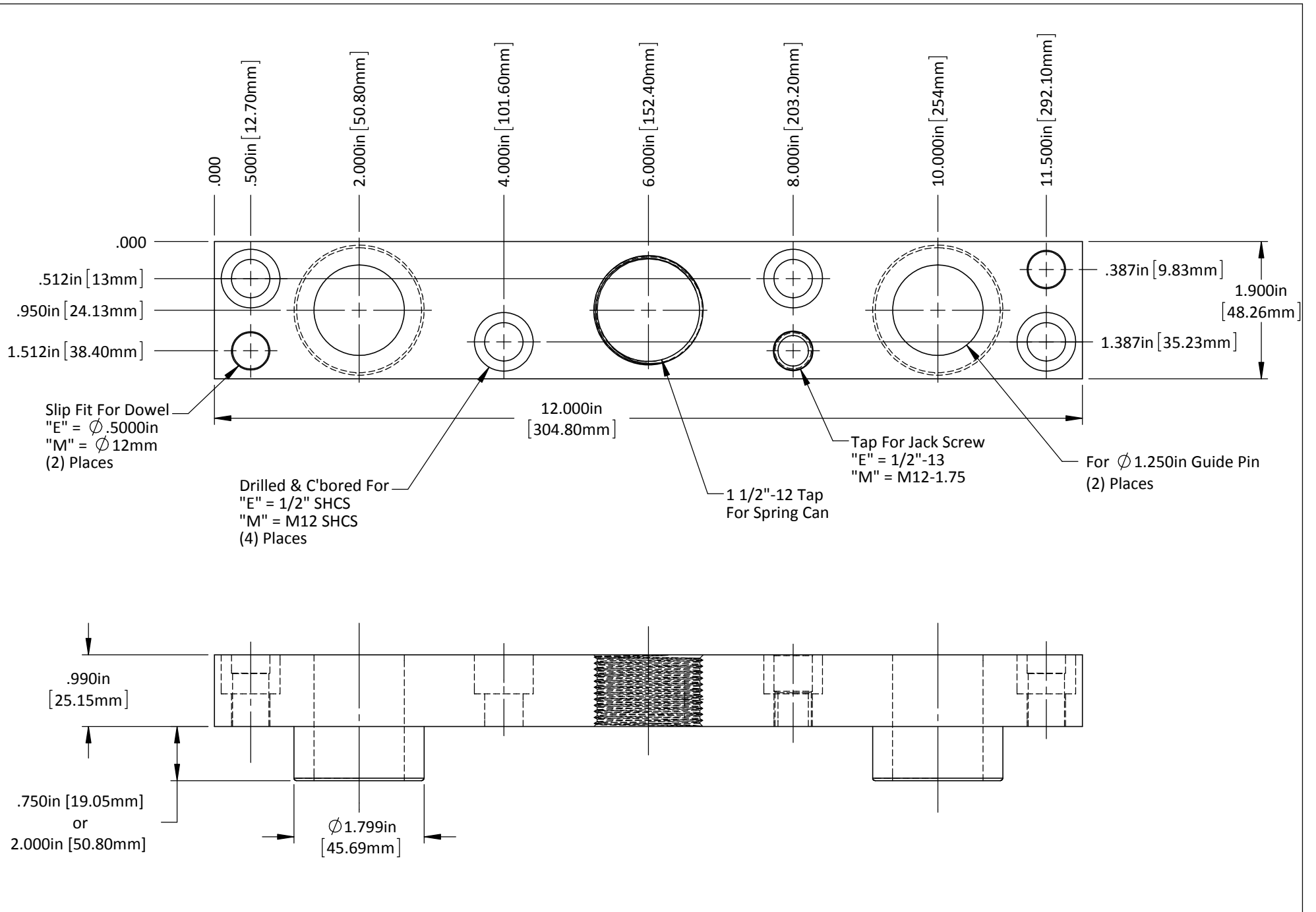
DO NOT SCALE DRAWING

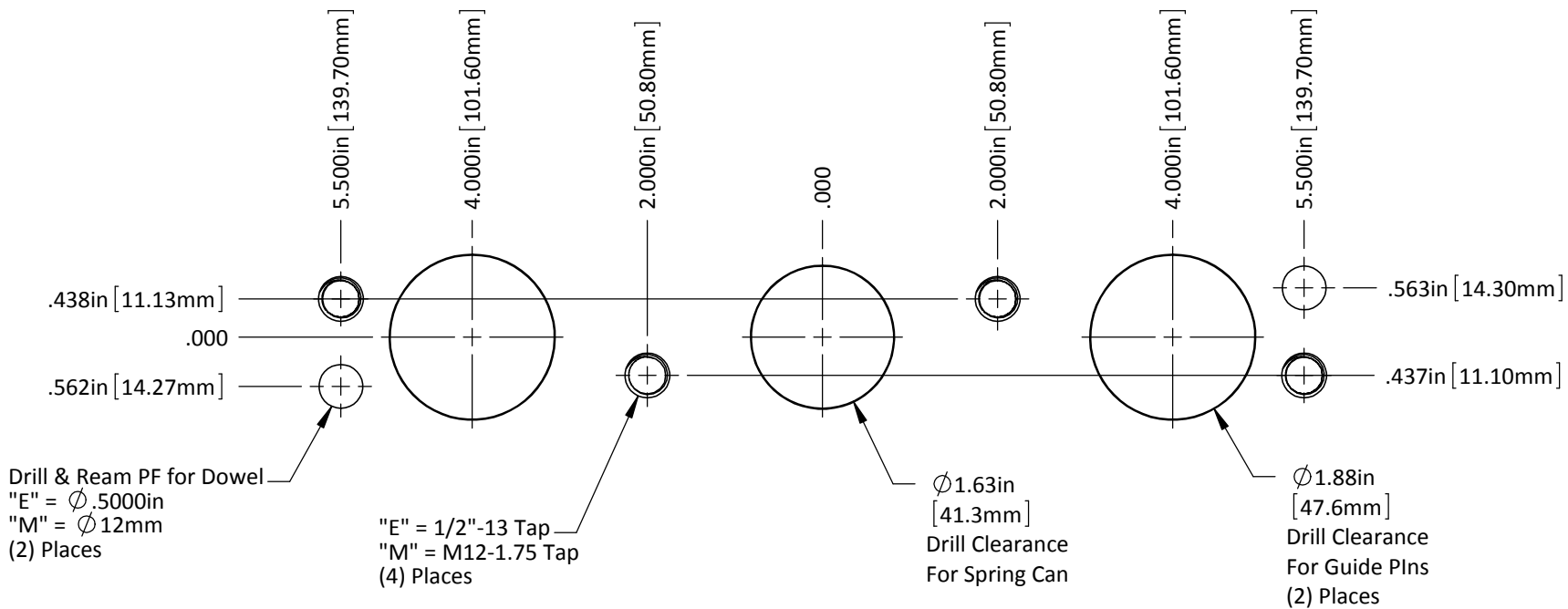
REV 1

This product may be covered by one or more patents or patent applications.  
See <http://www.standardlifters.com/patents.html> for details.

**Base-SL19-7-Machining**

**STANDARD LIFTERS INC**





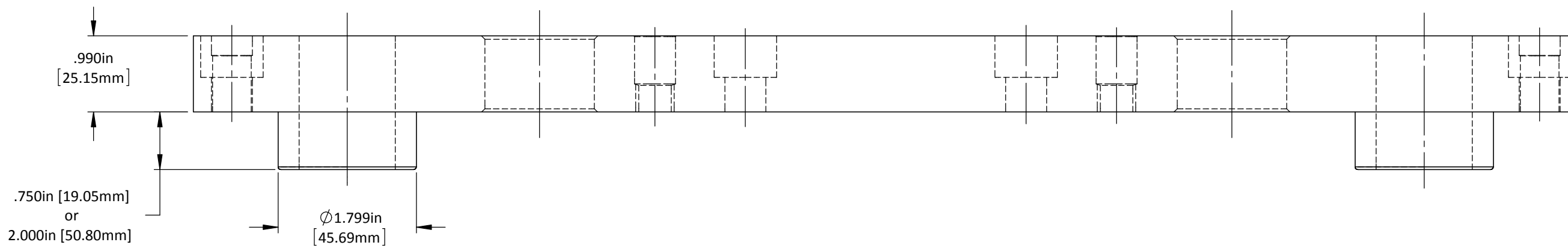
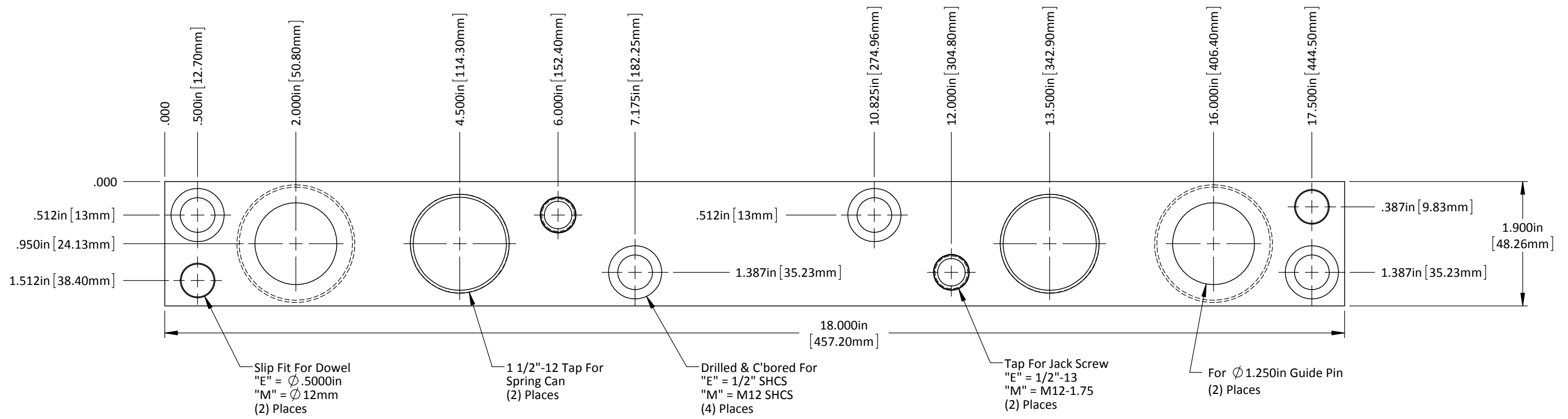
DO NOT SCALE DRAWING

REV 1

This product may be covered by one or more patents or patent applications.  
 See <http://www.standardlifters.com/patents.html> for details.

**Base-SL19-12-Machining**

**STANDARD LIFTERS INC**



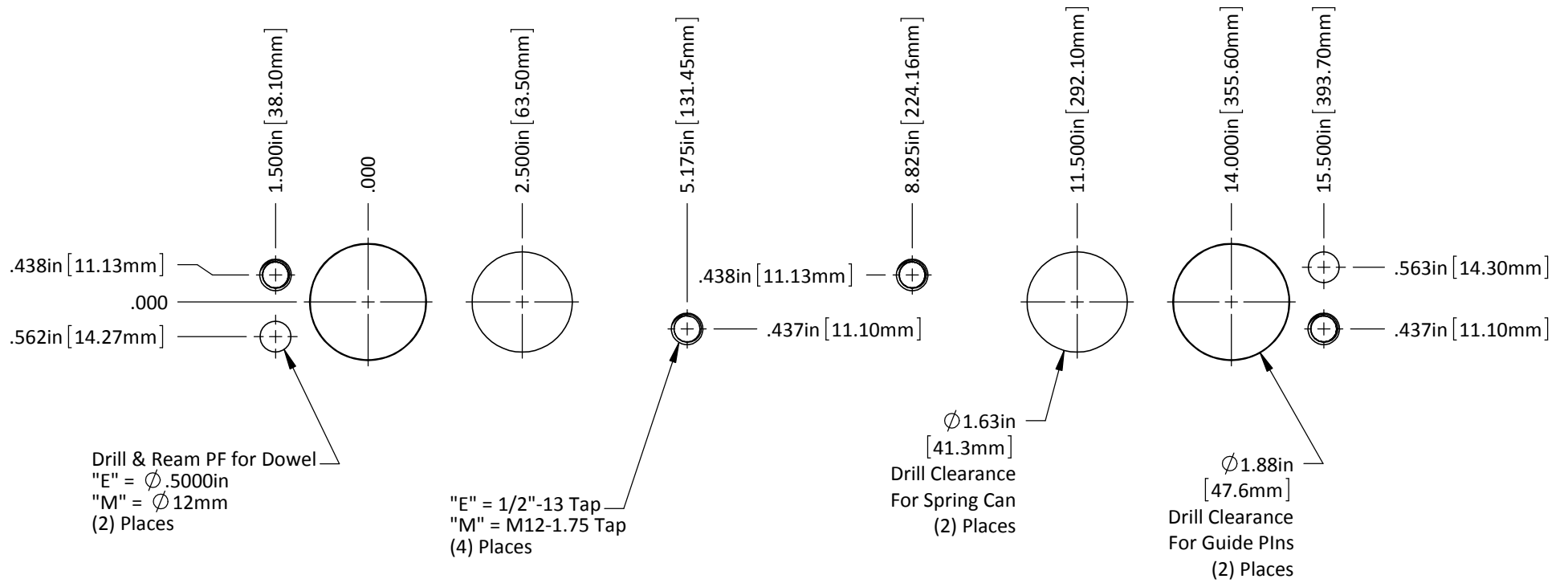
DO NOT SCALE DRAWING REV 1

This product may be covered by one or more patents or patent applications. See <http://www.standardlifters.com/patents.html> for details.

**Base-SL19-18**

**STANDARD LIFTERS INC**





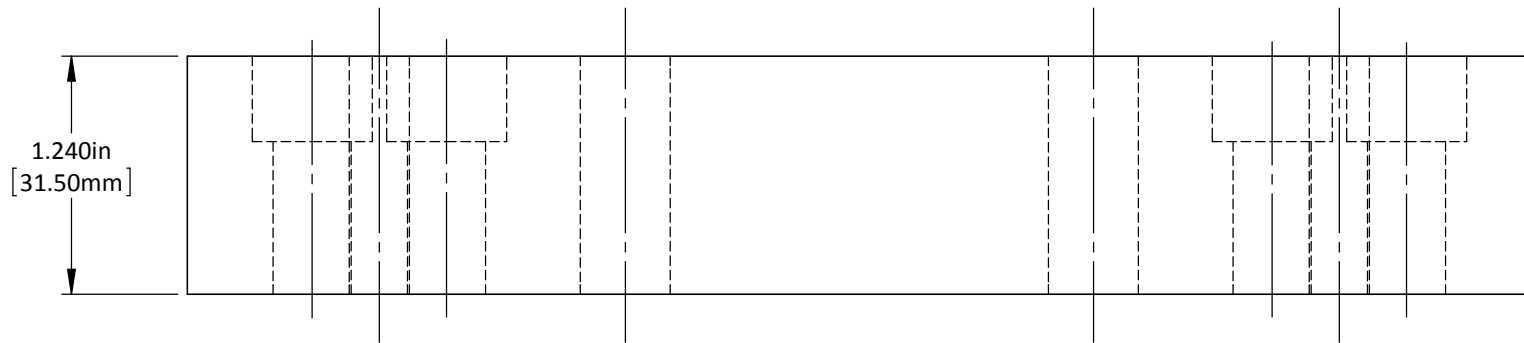
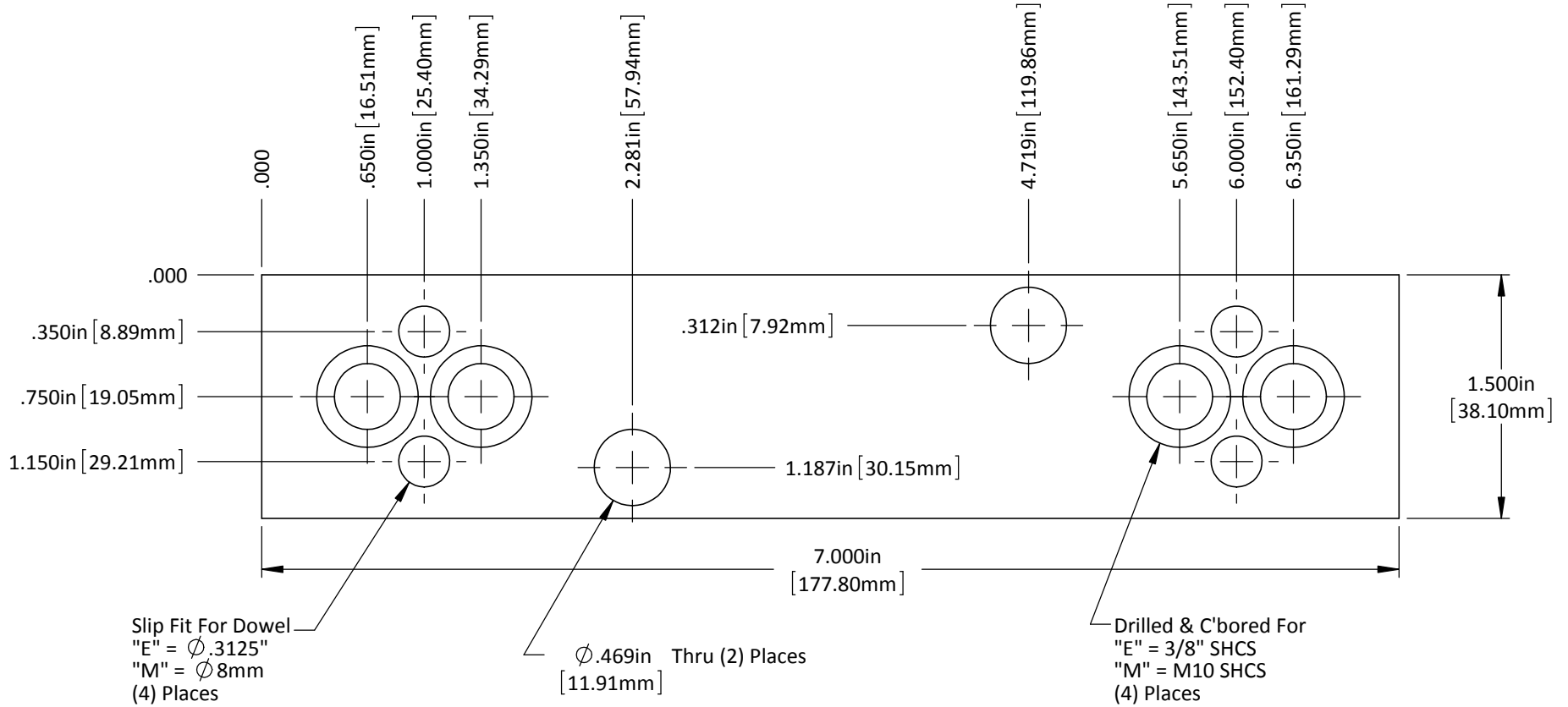
DO NOT SCALE DRAWING

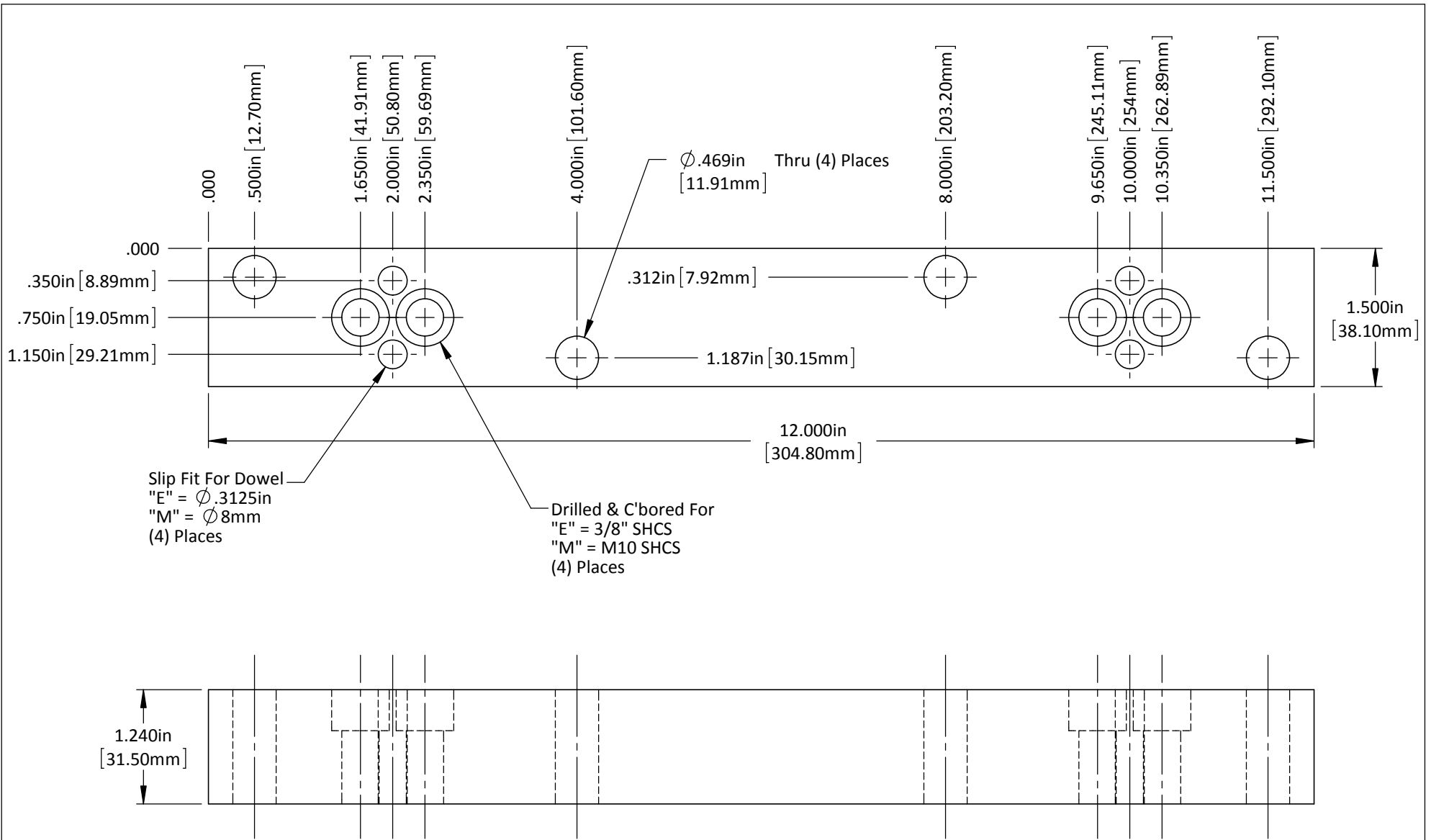
REV 1

This product may be covered by one or more patents or patent applications.  
 See <http://www.standardlifters.com/patents.html> for details.

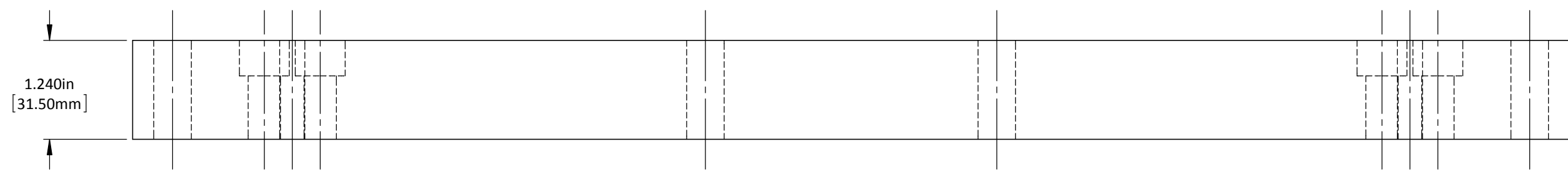
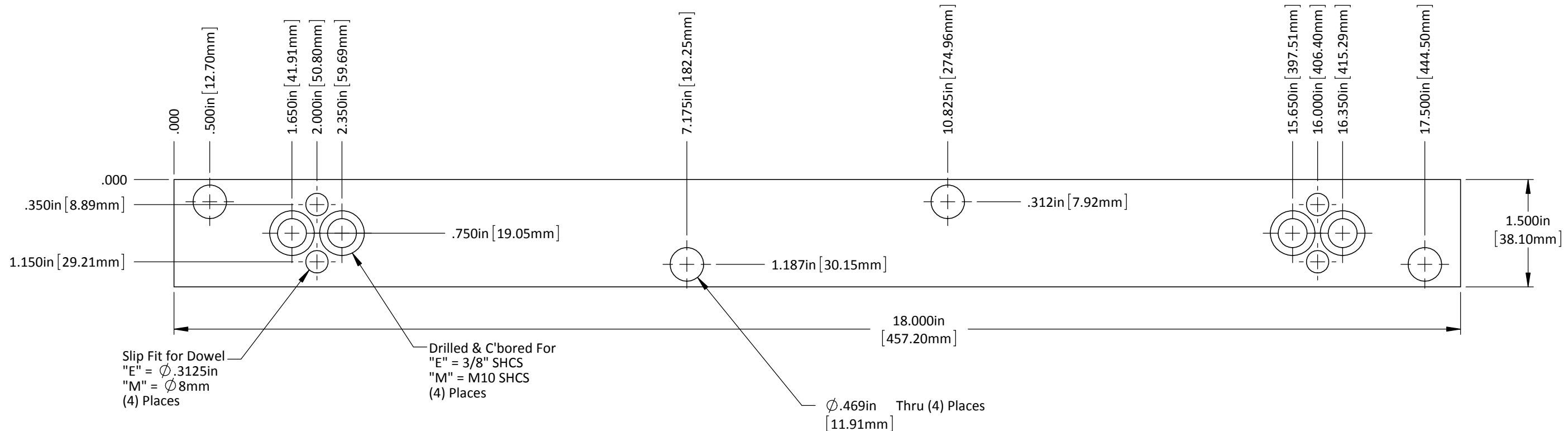
**Base-SL19-18-Machining**

**STANDARD LIFTERS INC**





DO NOT SCALE DRAWING	REV 1	<b>Top Plate-SL19-12-A</b> <b>STANDARD LIFTERS INC</b>
This product may be covered by one or more patents or patent applications. See <a href="http://www.standardlifters.com/patents.html">http://www.standardlifters.com/patents.html</a> for details.		



DO NOT SCALE DRAWING | REV 1  
 This product may be covered by one or more patents or patent applications.  
 See <http://www.standardlifters.com/patents.html> for details.

**Top Plate-SL19-18-A**  
**STANDARD LIFTERS INC**