

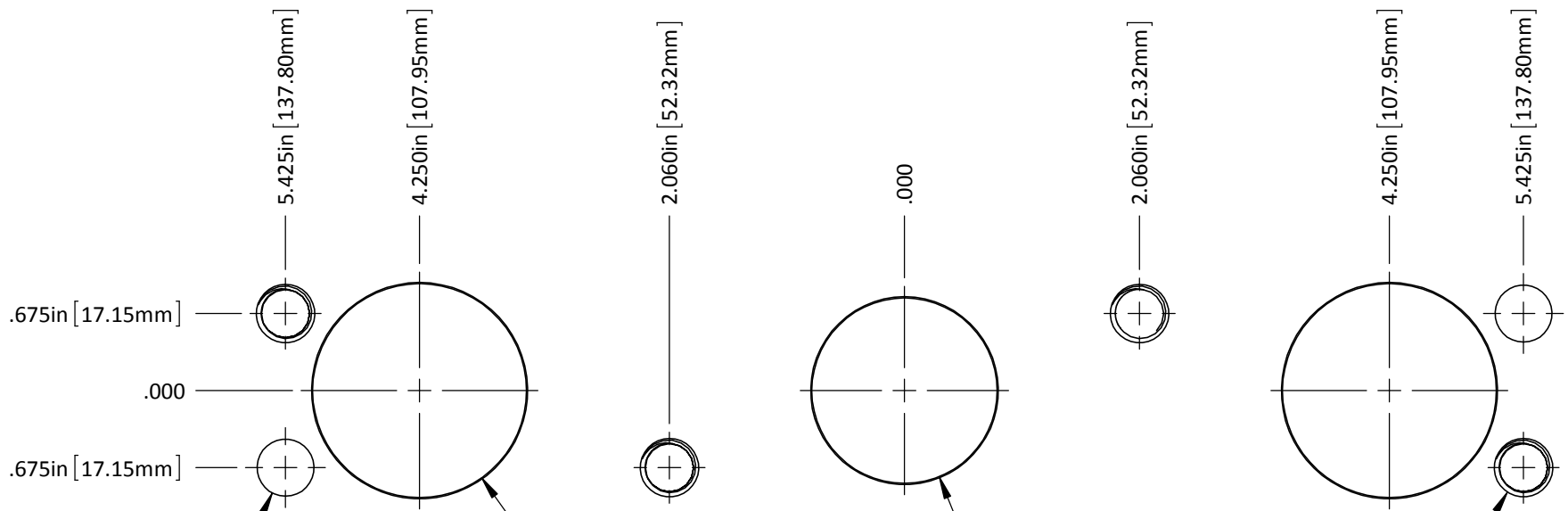
DO NOT SCALE DRAWING

REV 1

This product may be covered by one or more patents or  
 patent applications.  
 See <http://www.standardlifters.com/patents.html> for details.

**Base-SL25-12**

**STANDARD LIFTERS INC**



Drill & Ream PF For Dowel  
 "E" =  $\varnothing$ .5000in  
 "M" -  $\varnothing$ 12mm  
 (2) Places

$\varnothing$ 1.88in  
 [47.6mm]  
 Drill Clearance  
 For Guide Pins  
 (2) Places

$\varnothing$ 1.63in  
 [41.3mm]  
 Drill Clearance  
 For Spring Can

"E" = 1/2"-13 Tap  
 "M" = M12-1.75 Tap  
 (4) Places

DO NOT SCALE DRAWING	REV 1	<b>Base-SL25-12-Machining</b> <b>STANDARD LIFTERS INC</b>
This product may be covered by one or more patents or patent applications. See <a href="http://www.standardlifters.com/patents.html">http://www.standardlifters.com/patents.html</a> for details.		