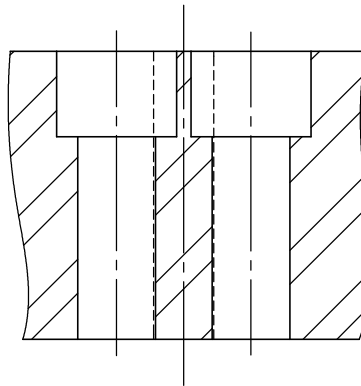
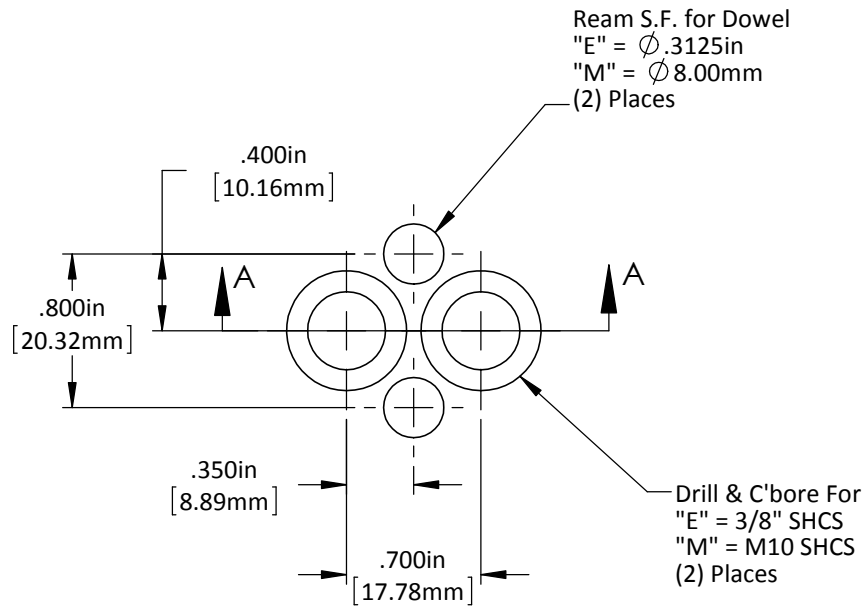


DO NOT SCALE DRAWING	REV 1	Guide Pin SL19 STANDARD LIFTERS INC
This product may be covered by one or more patents or patent applications. See http://www.standardlifters.com/patents.html for details.		



DO NOT SCALE DRAWING	REV 1
This product may be covered by one or more patents or patent applications. See http://www.standardlifters.com/patents.html for details.	

Guide Pin SL19-Machining
STANDARD LIFTERS INC