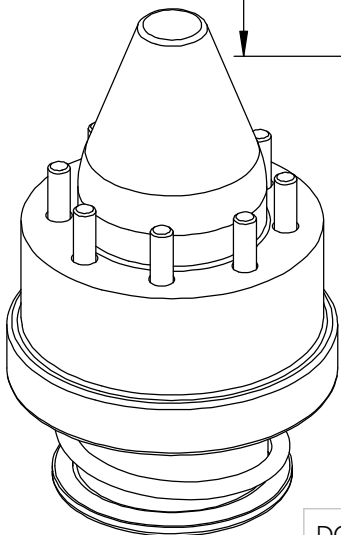
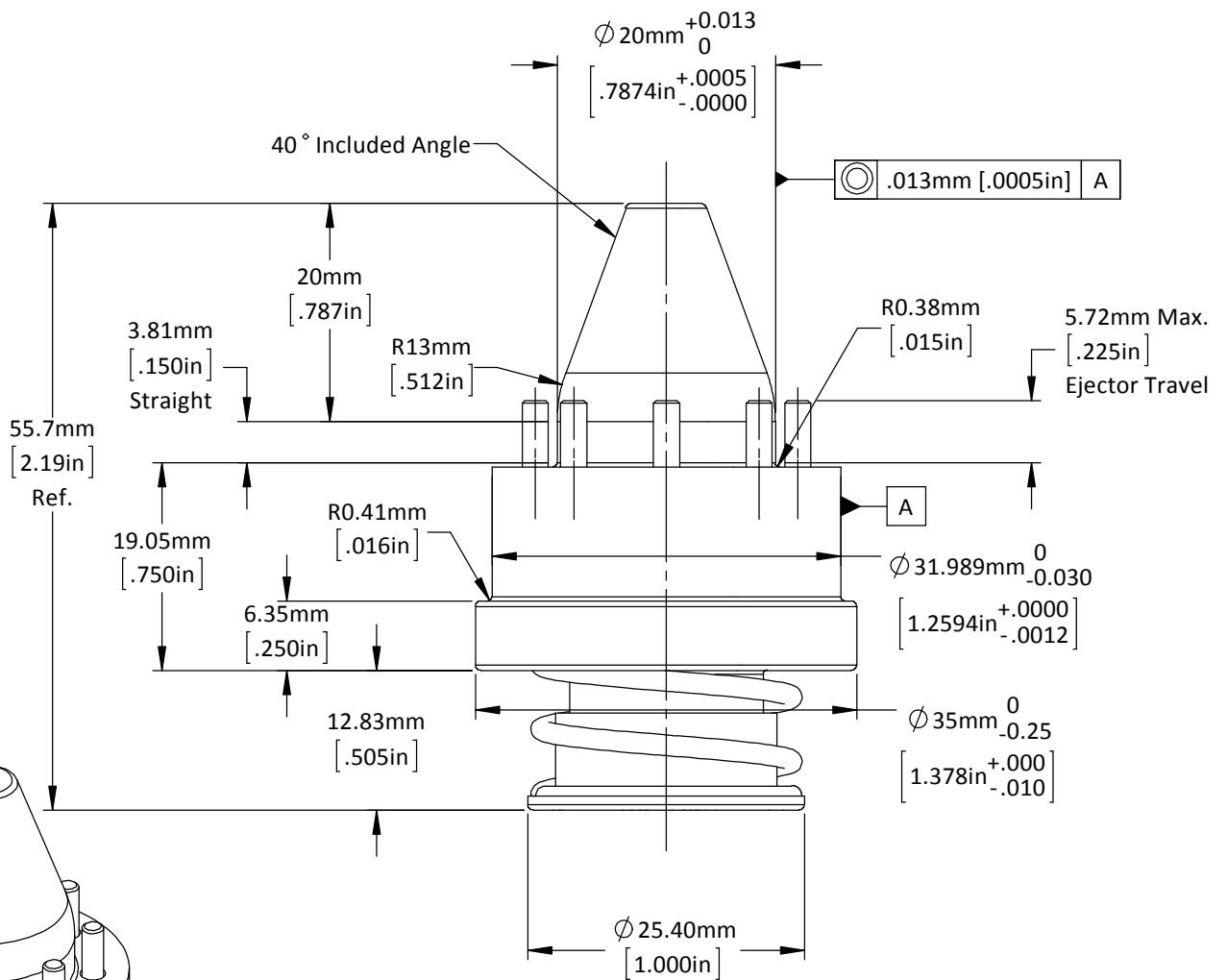
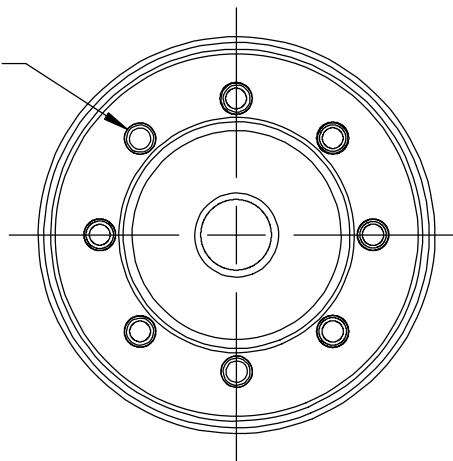


$\varnothing$  2.4mm [.094in] Ejector Pin  
 (8) Equally Spaced on a  
 $\varnothing$  24.1mm [.948in] Bolt Circle

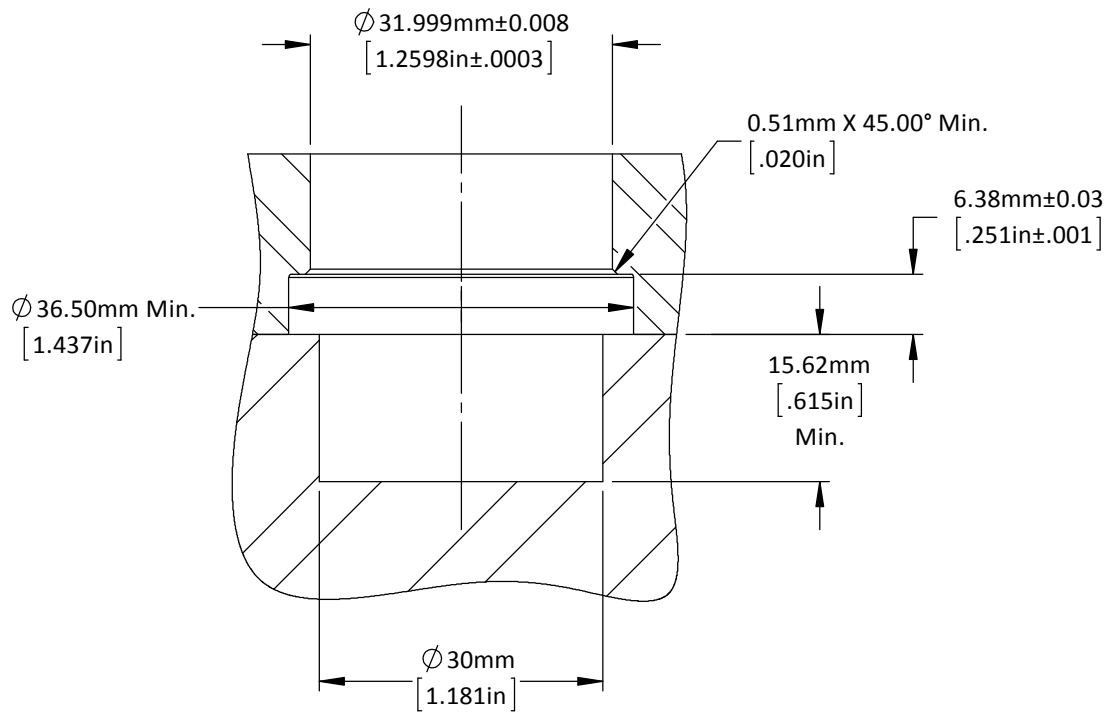
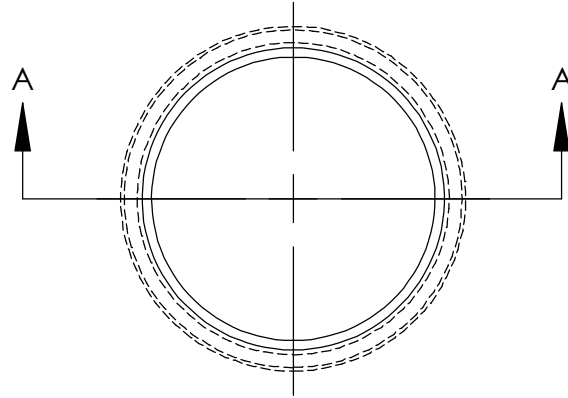


DO NOT SCALE DRAWING    REV 2

This product may be covered by one or more patents or patent applications.  
 See <http://www.standardlifters.com/patents.html> for details.

**Pilot-PA-20mm-3.8mm-S-P-W**

STANDARD LIFTERS INC



SECTION A-A

DO NOT SCALE DRAWING

REV 3

This product may be covered by one or more patents or patent applications.  
 See <http://www.standardlifters.com/patents.html> for details.

**Pilot-PA-20mm-3.8mm-S-P-W-Machining**

STANDARD LIFTERS INC