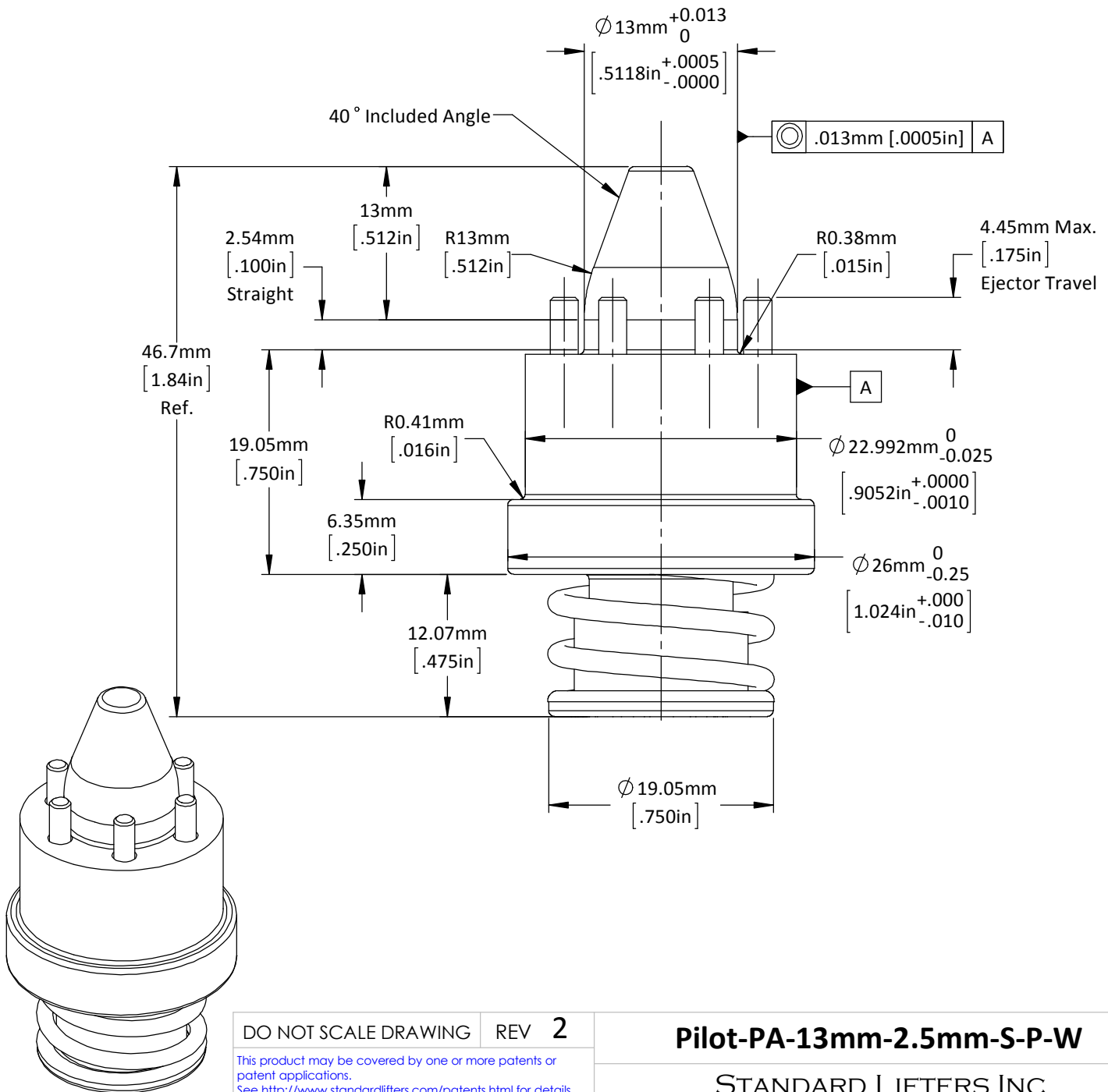
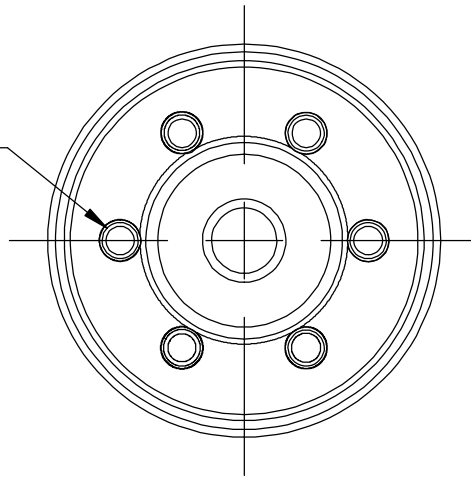
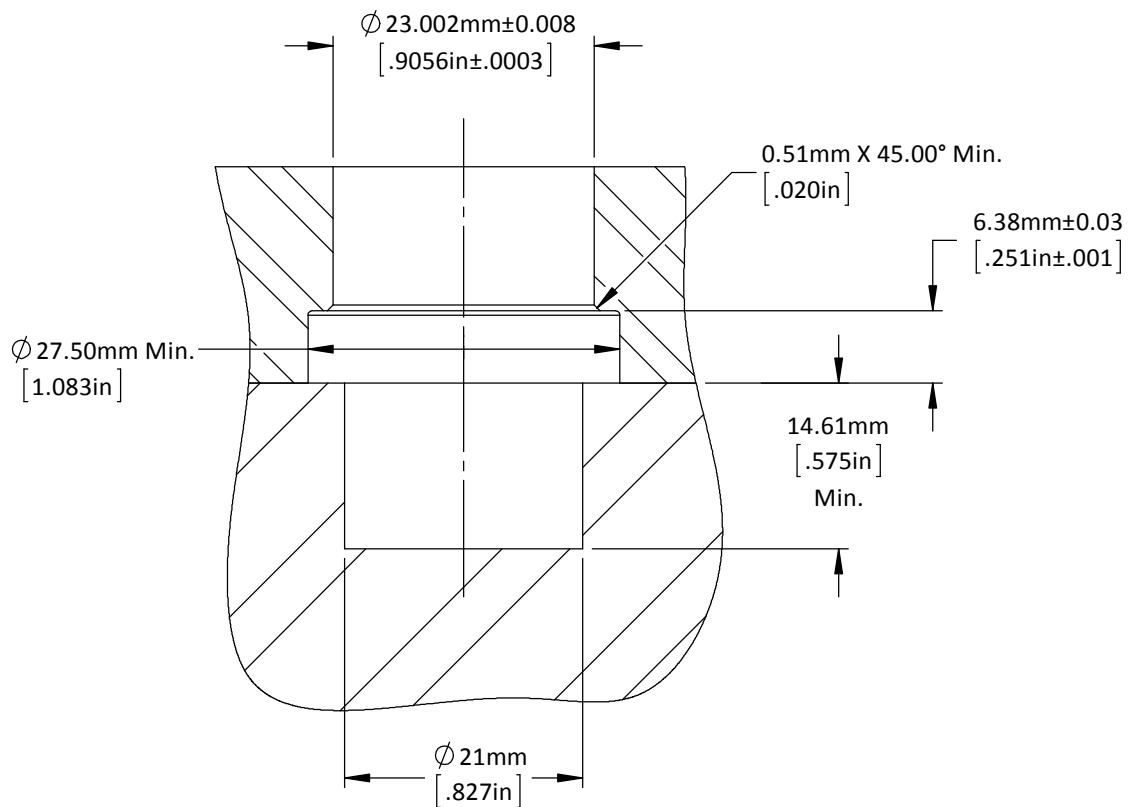
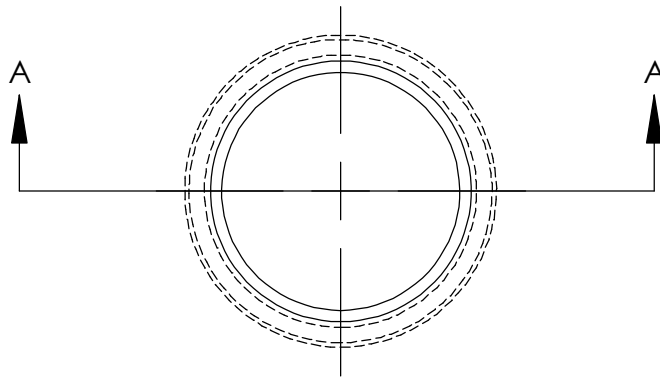


\varnothing 2.4mm [.094in] Ejector Pin
 (6) Equally Spaced on a
 \varnothing 16.41mm [.646in] Bolt Circle



DO NOT SCALE DRAWING REV 2
 This product may be covered by one or more patents or patent applications.
 See <http://www.standardlifters.com/patents.html> for details.

Pilot-PA-13mm-2.5mm-S-P-W
 STANDARD LIFTERS INC



SECTION A-A

DO NOT SCALE DRAWING

REV 3

This product may be covered by one or more patents or patent applications.
 See <http://www.standardlifters.com/patents.html> for details.

Pilot-PA-13mm-2.5mm-S-P-W-Machining

STANDARD LIFTERS INC