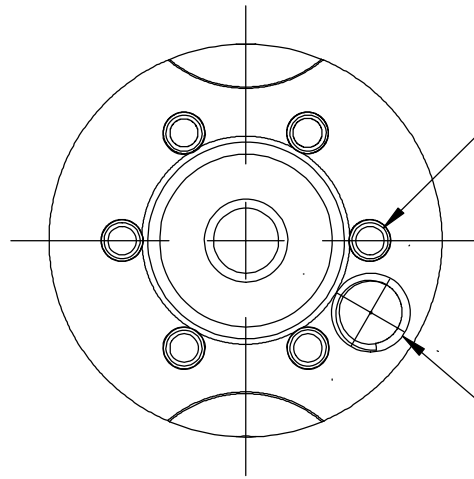


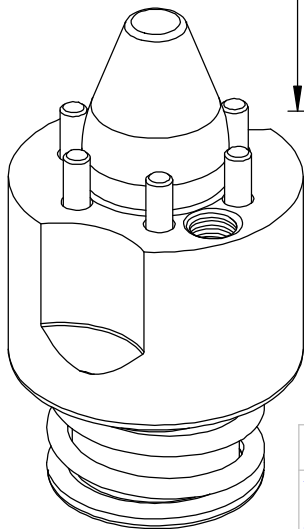
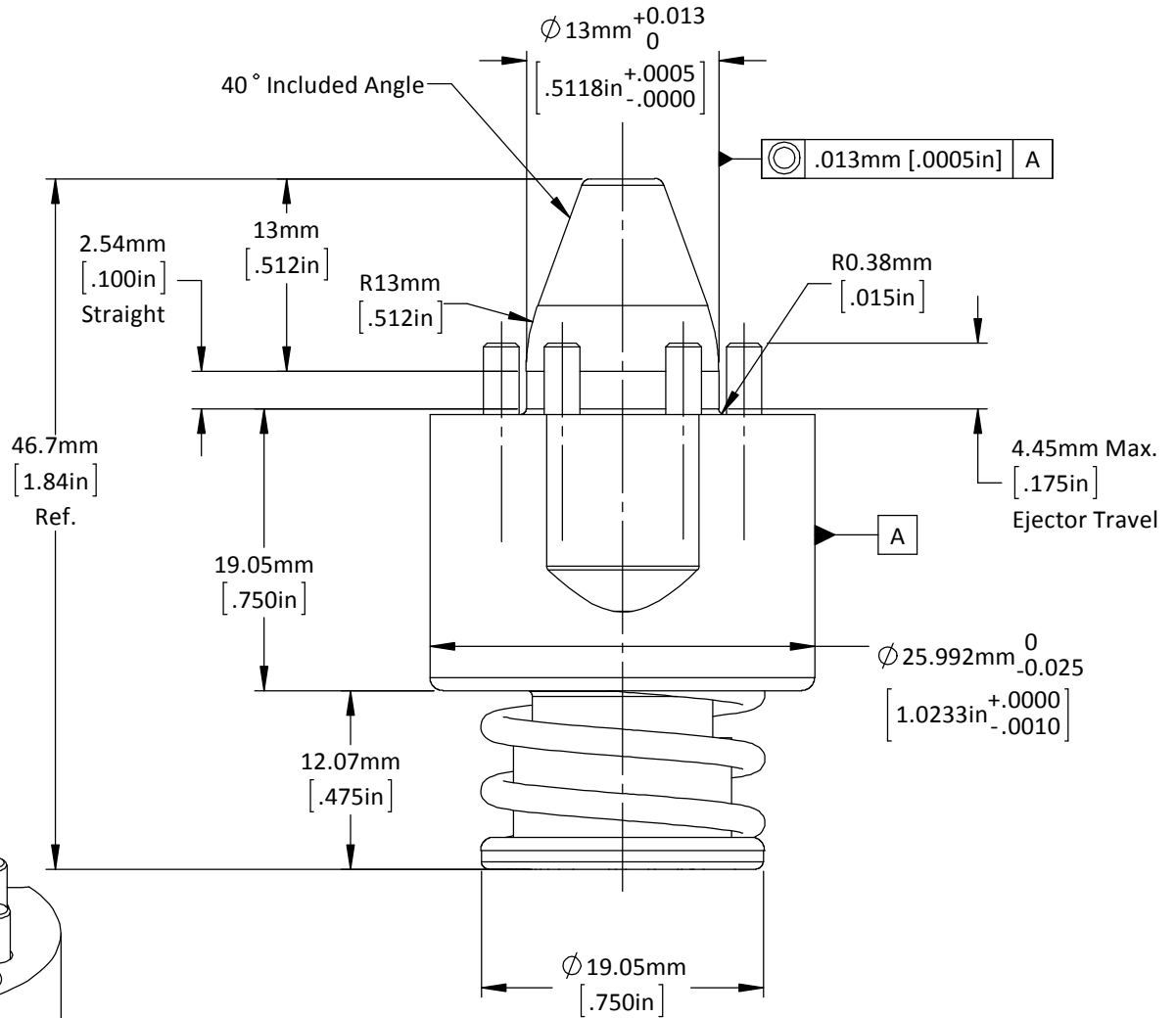
1 Hold Down
PA-13mm-2.5mm-S-P-F1



2 Hold Downs
PA-13mm-2.5mm-S-P-F2

Ø 2.4mm [.094in] Ejector Pin
(6) Equally Spaced on a
Ø 16.41mm [.646in] Bolt Circle

M5-0.8mm Tap

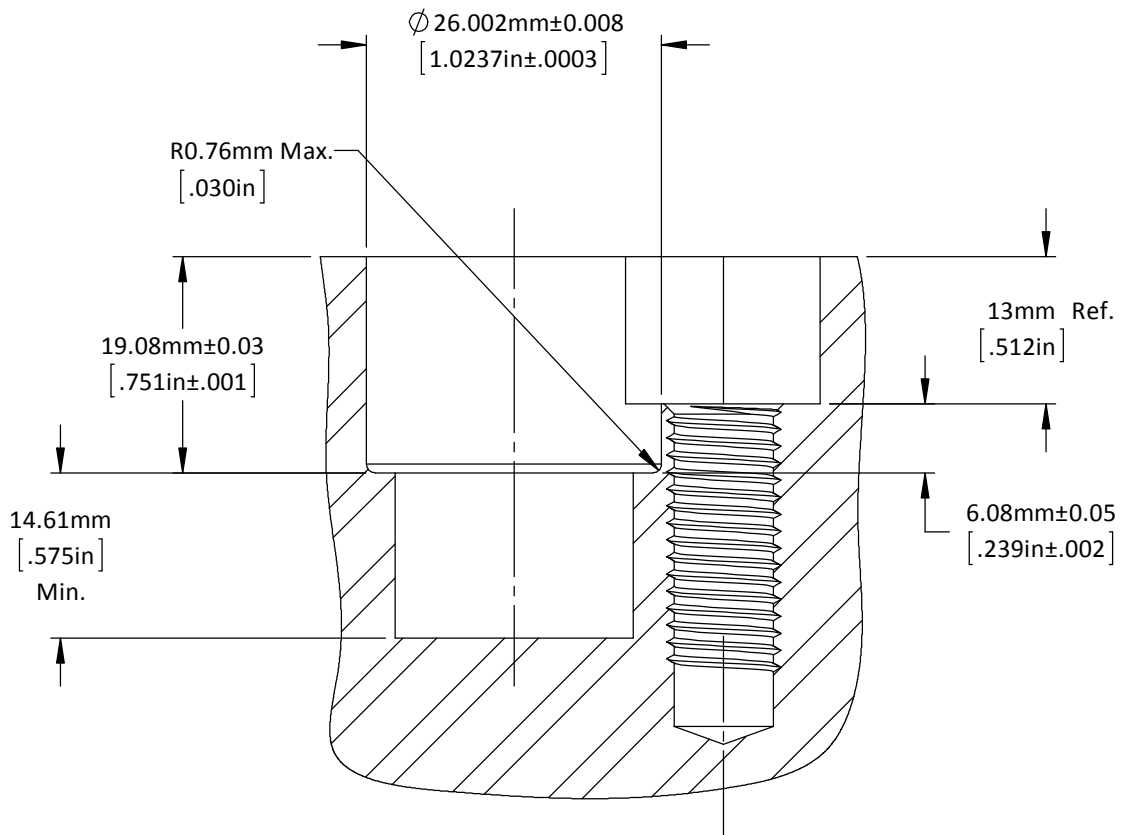
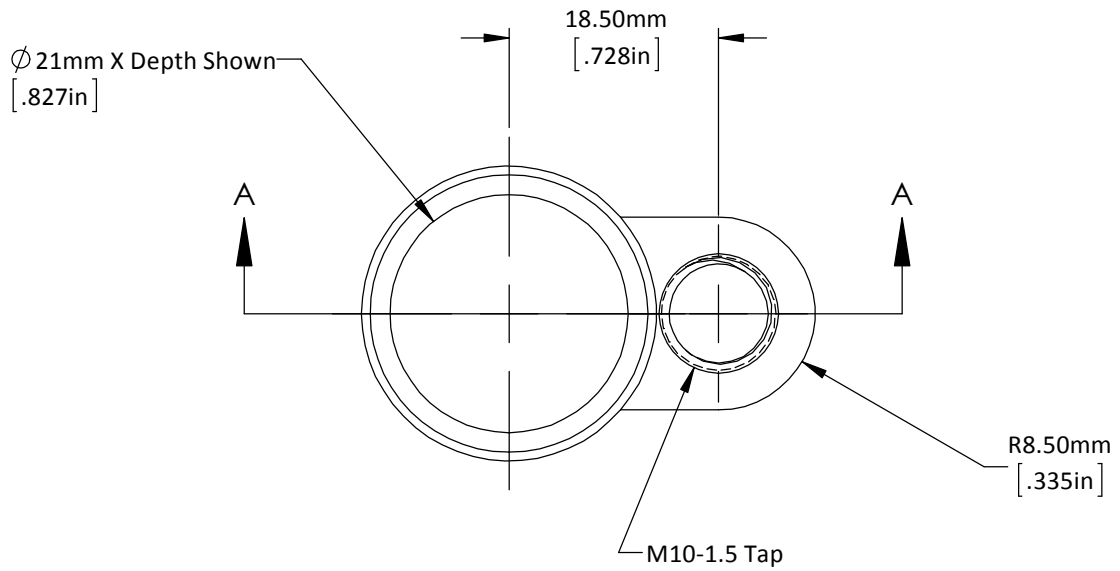


DO NOT SCALE DRAWING REV 5

This product may be covered by one or more patents or patent applications. See <http://www.standardlifters.com/patents.html> for details.

Pilot-PA-13mm-2.5mm-S-P-F1 / F2

STANDARD LIFTERS INC



DO NOT SCALE DRAWING

REV 6

This product may be covered by one or more patents or
 patent applications.
 See <http://www.standardlifters.com/patents.html> for details.

Pilot-PA-13mm-2.5mm-S-P-F-Machining

STANDARD LIFTERS INC