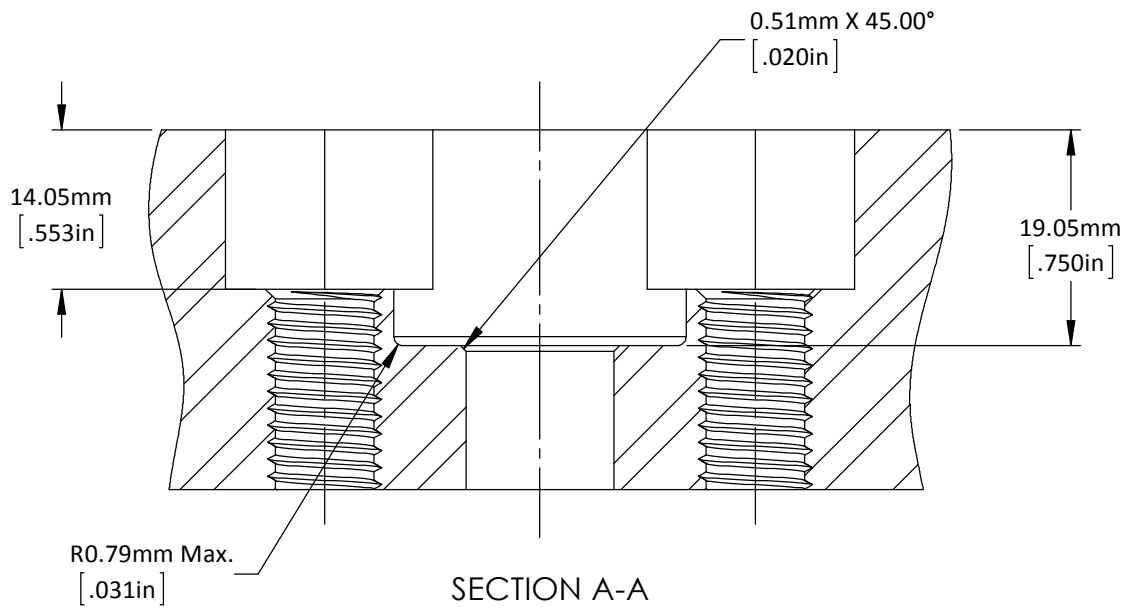
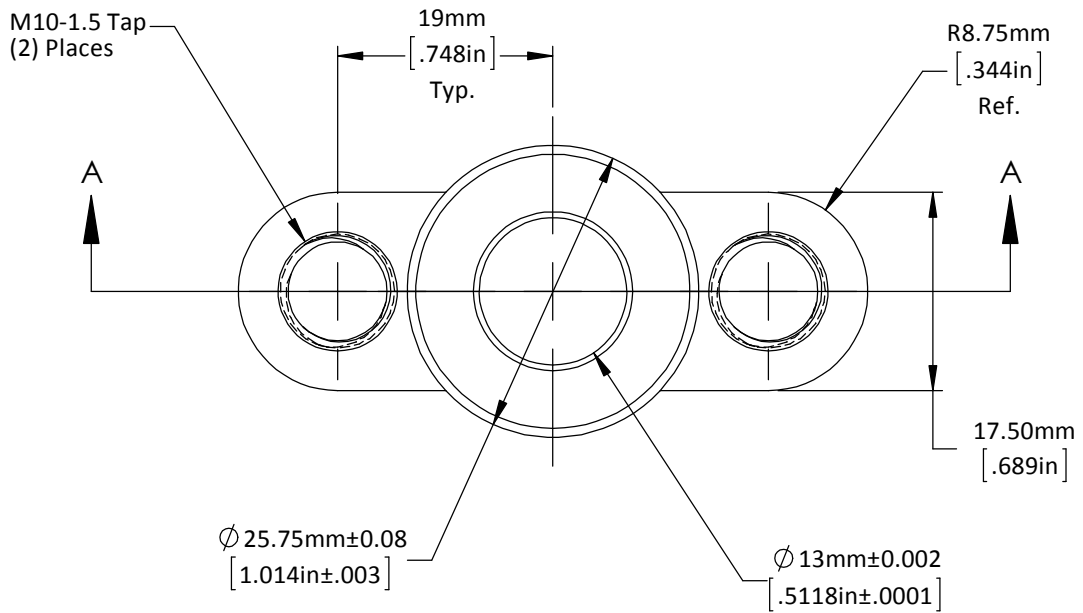


DO NOT SCALE DRAWING    REV 1

This product may be covered by one or more patents or patent applications.  
See <http://www.standardlifters.com/patents.html> for details.

**Pilot-PA-13mm-1.9mm-S-R-F**

STANDARD LIFTERS INC



DO NOT SCALE DRAWING

REV 2

**Pilot-PA-13mm-1.9mm-S-R-F-Machining**

This product may be covered by one or more patents or patent applications.  
See <http://www.standardlifters.com/patents.html> for details.

STANDARD LIFTERS INC