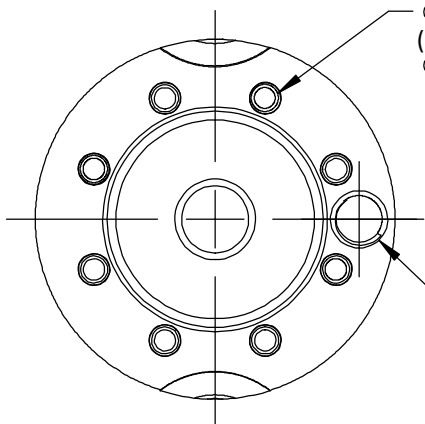


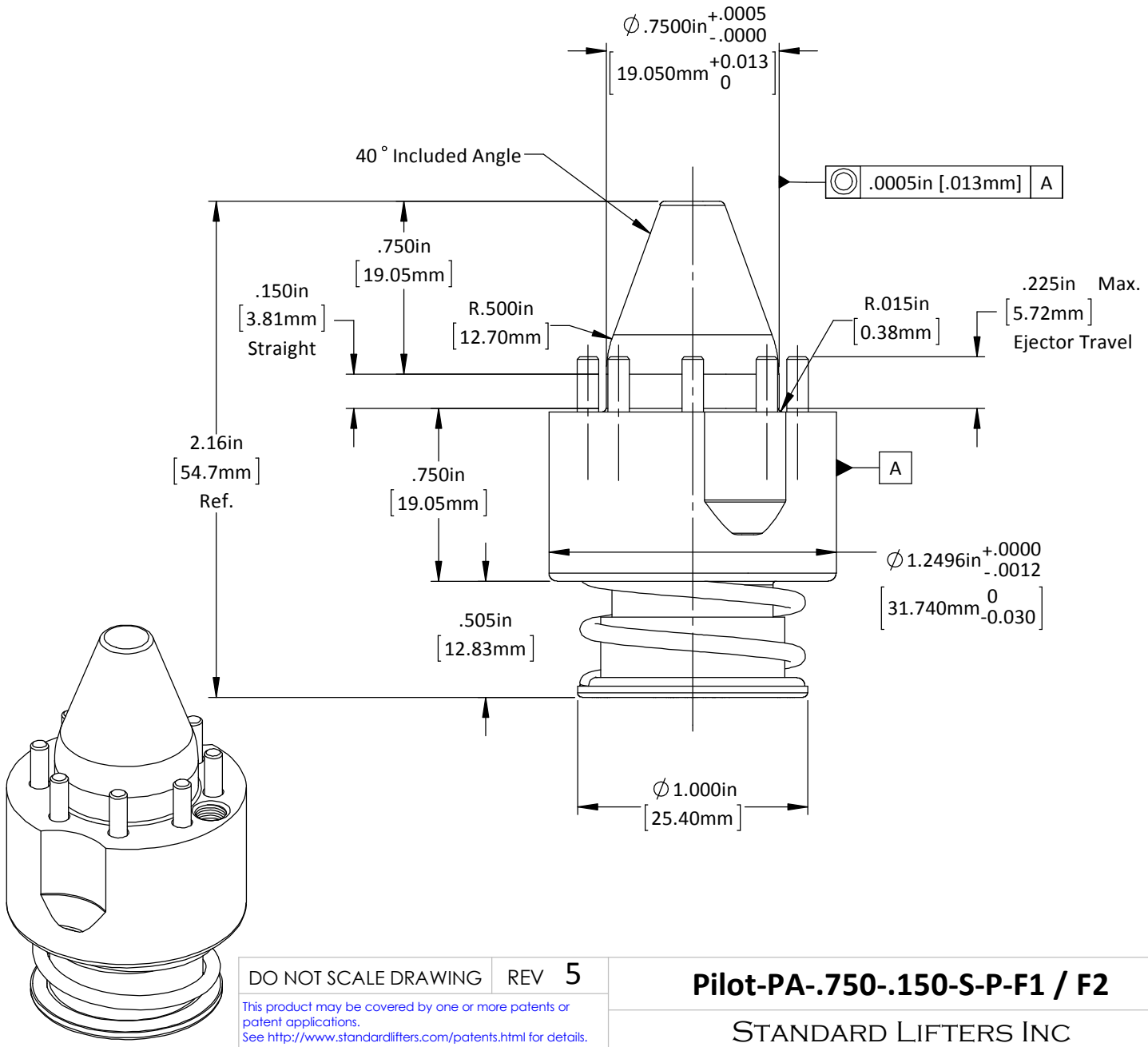
1 Hold Down
PA-.750-.150-S-P-F1

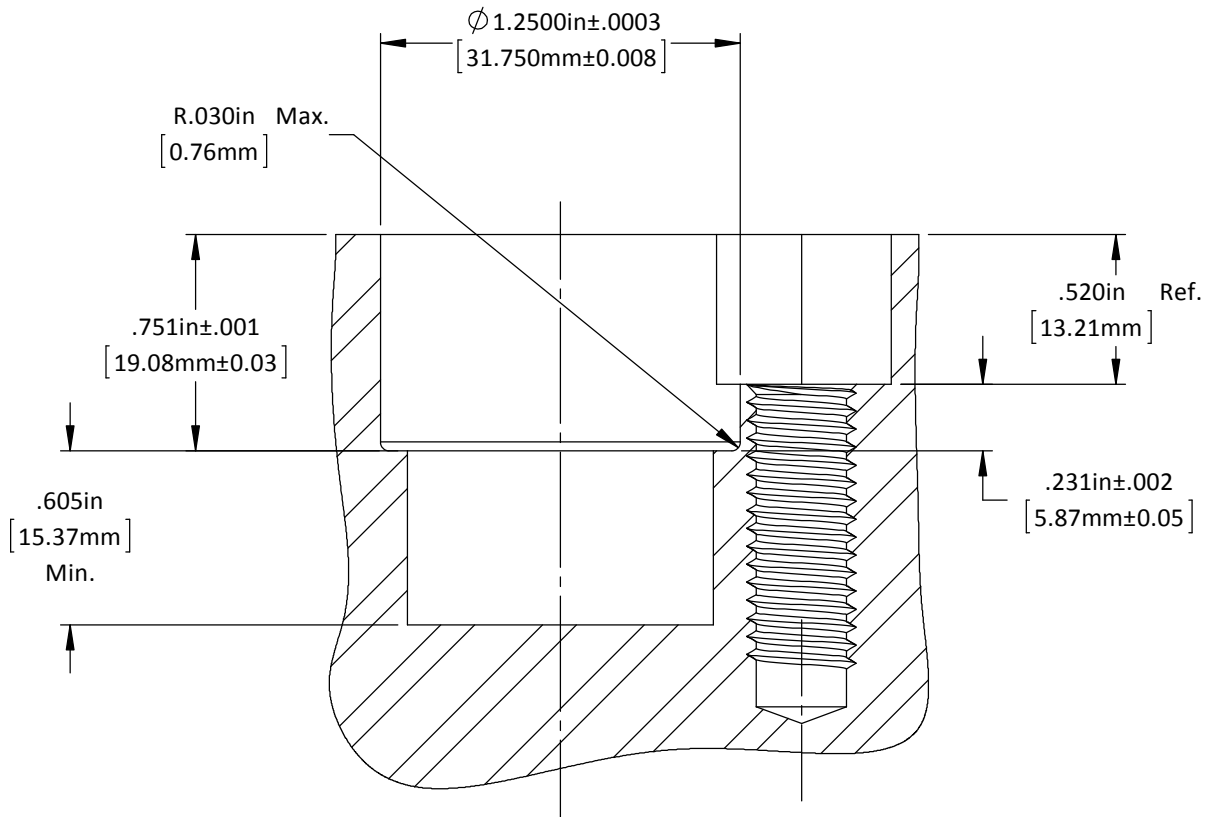
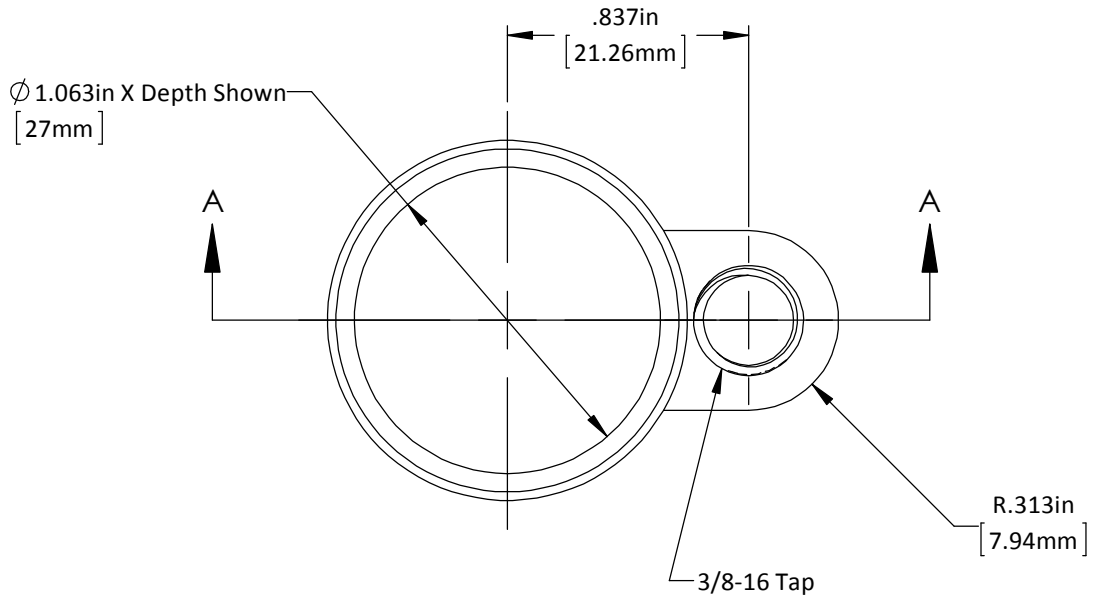


2 Hold Downs
PA-.750-.150-S-P-F2

Ø .094in [2.4mm] Ejector Pin
(8) Equally Spaced on a
Ø .910in [23.11mm] Bolt Circle

#10-32 Tap





DO NOT SCALE DRAWING

REV 6

This product may be covered by one or more patents or
 patent applications.
 See <http://www.standardlifters.com/patents.html> for details.

Pilot-PA-.750-.150-S-P-F-Machining

STANDARD LIFTERS INC