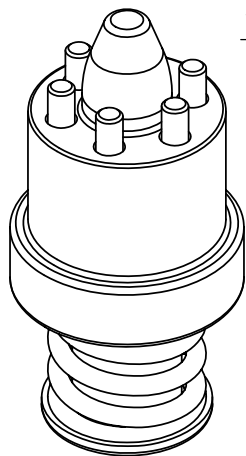
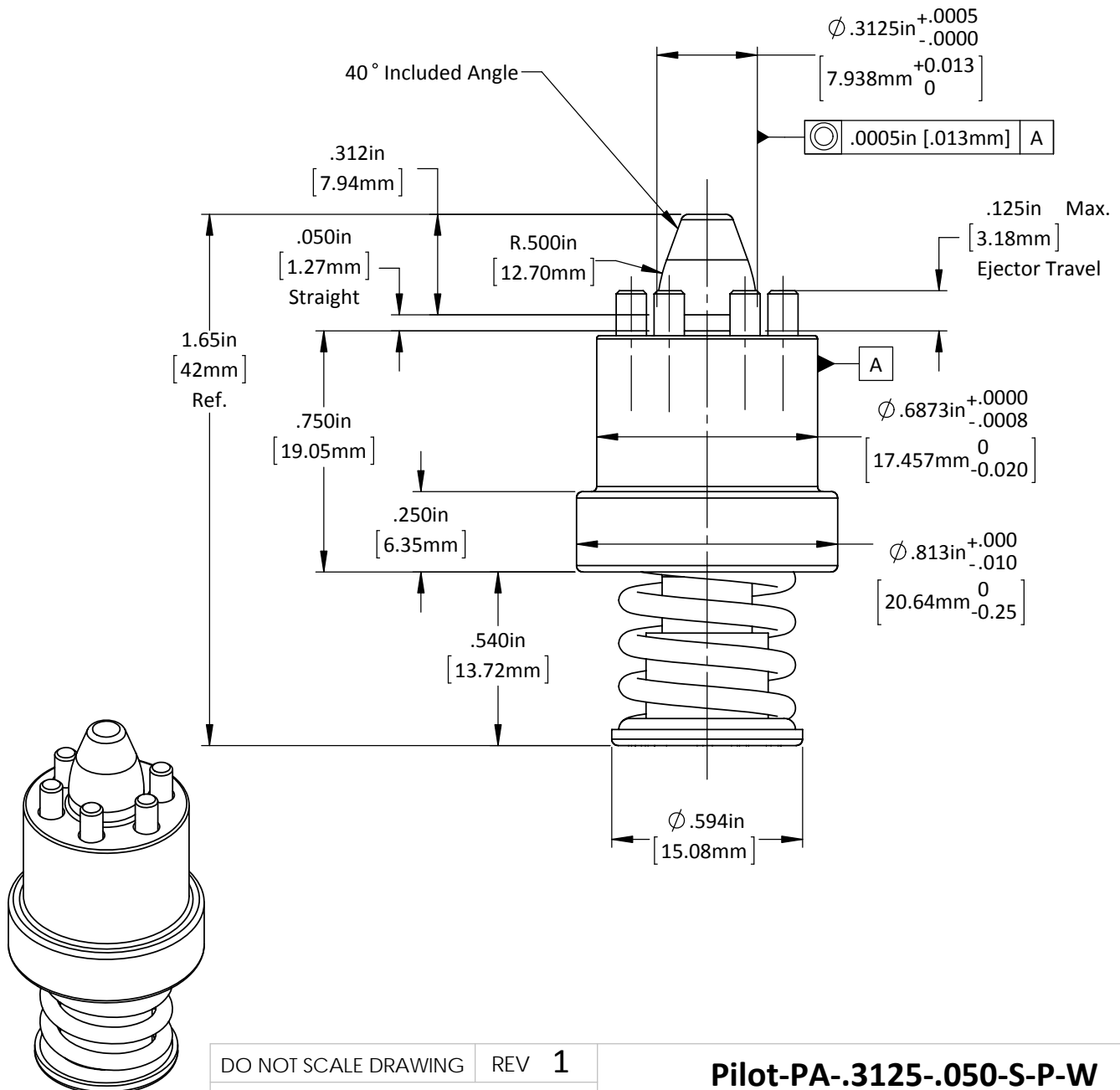


\varnothing .094in [2.4mm] Ejector Pin
 (6) Equally Spaced on a
 \varnothing .472in [12mm] Bolt Circle

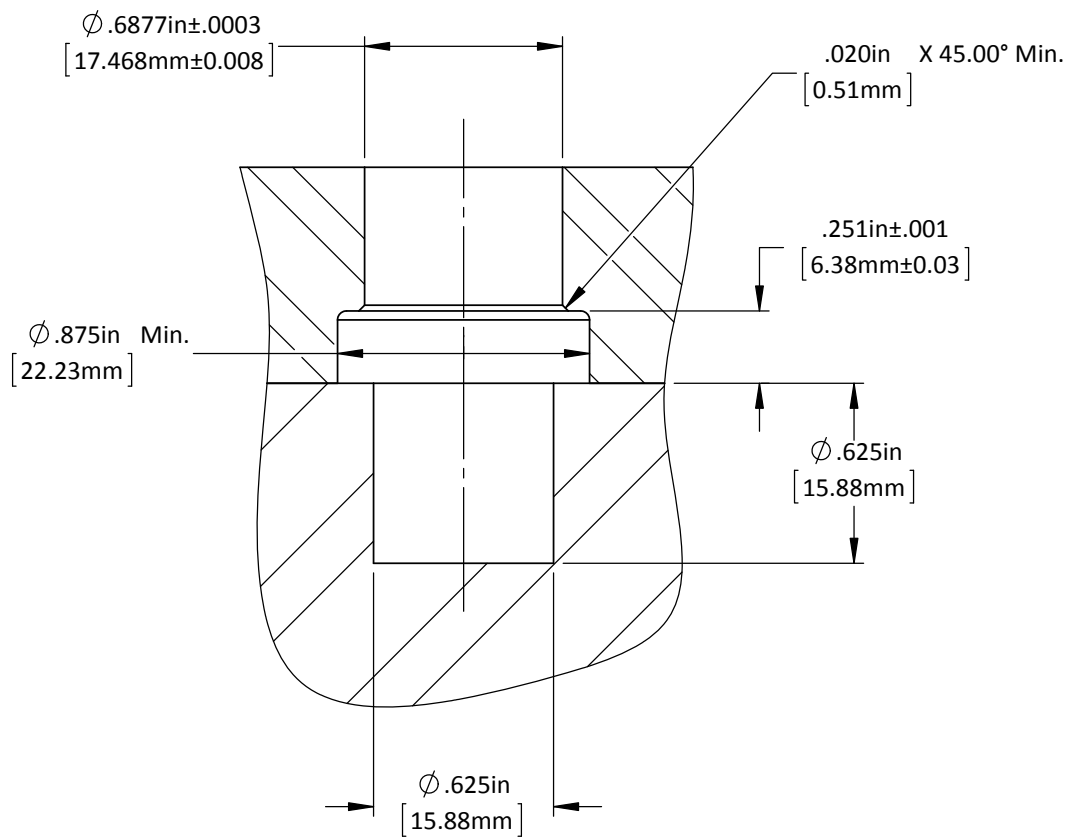
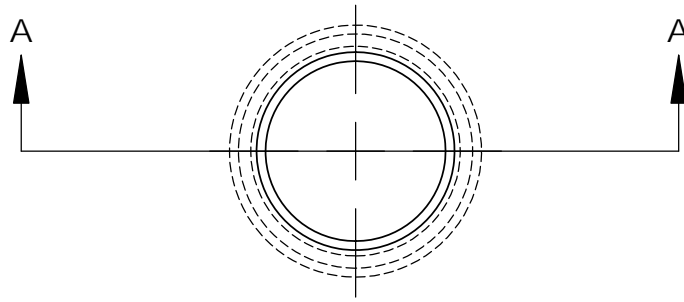


DO NOT SCALE DRAWING REV 1

This product may be covered by one or more patents or patent applications.
 See <http://www.standardlifters.com/patents.html> for details.

Pilot-PA-.3125-.050-S-P-W

STANDARD LIFTERS INC



DO NOT SCALE DRAWING

REV 1

Pilot-PA-.3125-.050-S-P-W-Machining

This product may be covered by one or more patents or patent applications.
 See <http://www.standardlifters.com/patents.html> for details.

STANDARD LIFTERS INC