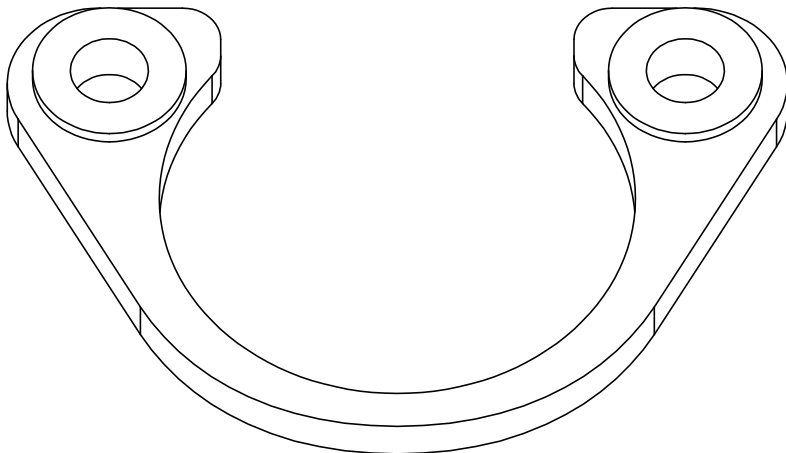
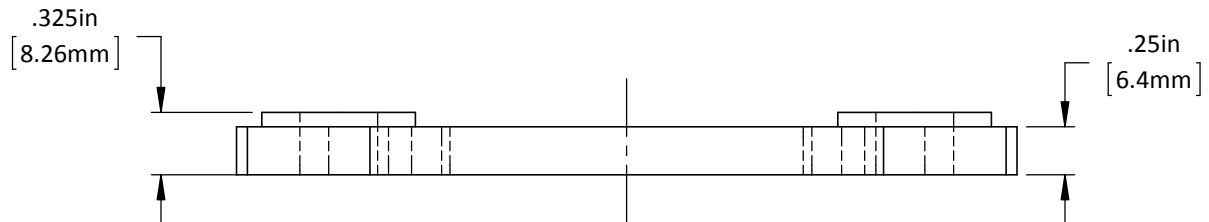
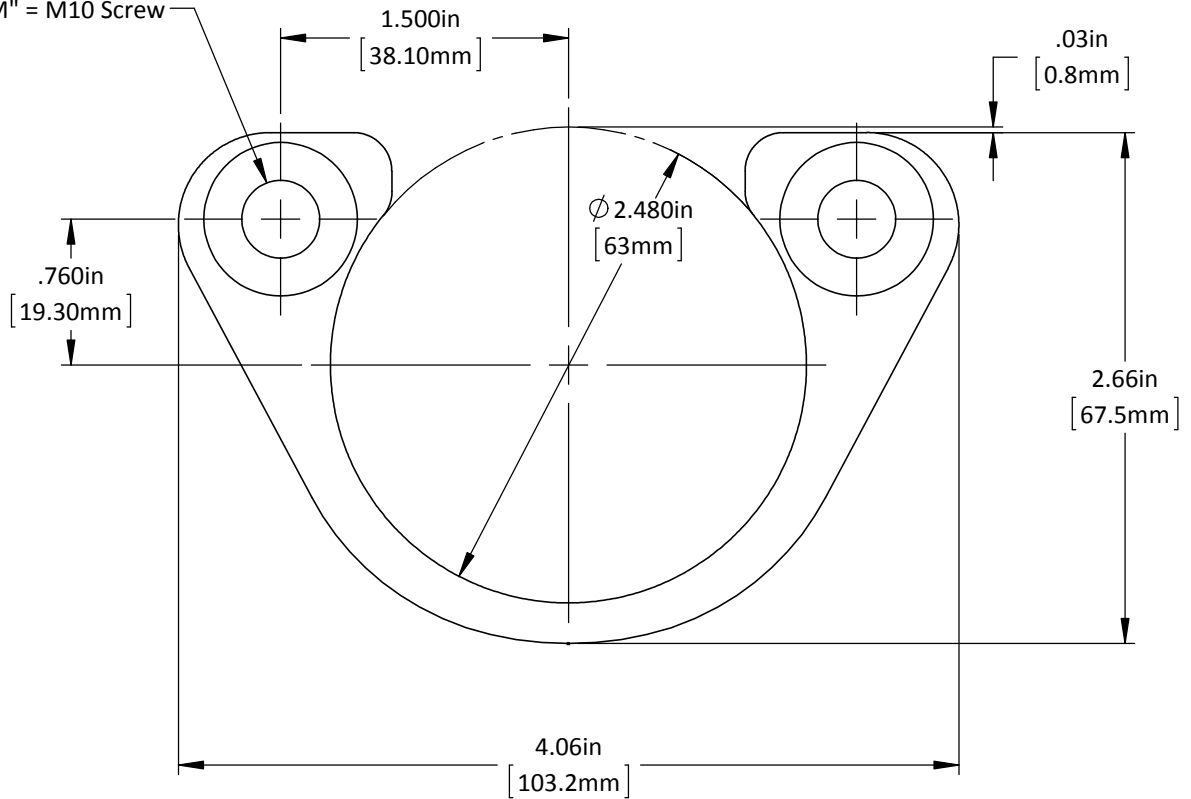


Clearance for:  
"E" = 3/8" Screw  
"M" = M10 Screw



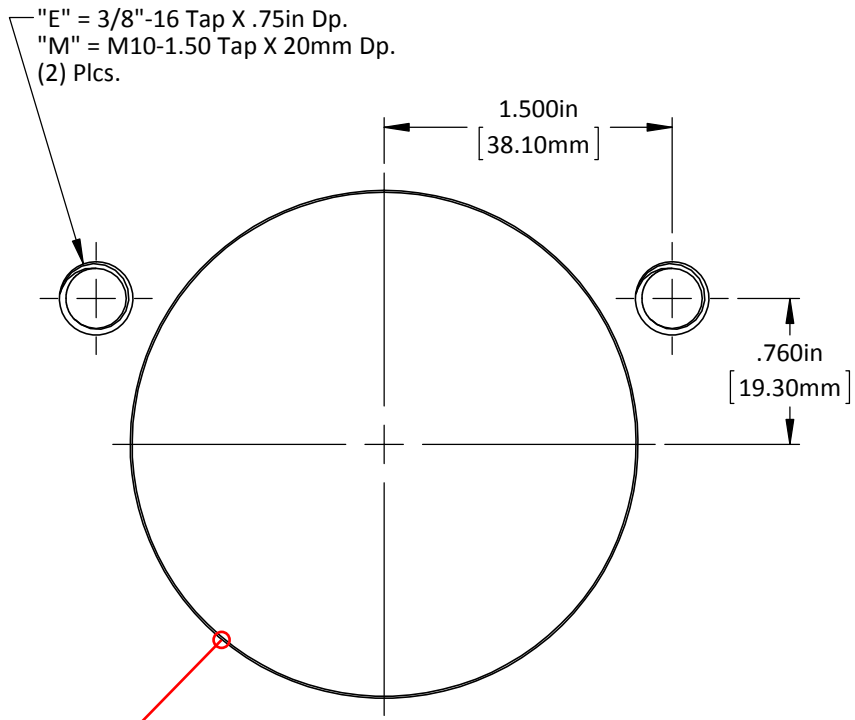
DO NOT SCALE DRAWING

REV 1

This product may be covered by one or more patents or patent applications.  
See <http://www.standardlifters.com/patents.html> for details.

**Gas Spring Clamp-GSC-63-C**

**STANDARD LIFTERS INC**



\*Recommended Minimum Hole Size to be  
 Cylinder Body Diameter +1mm [.04"]

DO NOT SCALE DRAWING	REV 1	<b>Gas Spring Clamp-GSC-63-C-Machining</b>
This product may be covered by one or more patents or patent applications. See <a href="http://www.standardlifters.com/patents.html">http://www.standardlifters.com/patents.html</a> for details.		