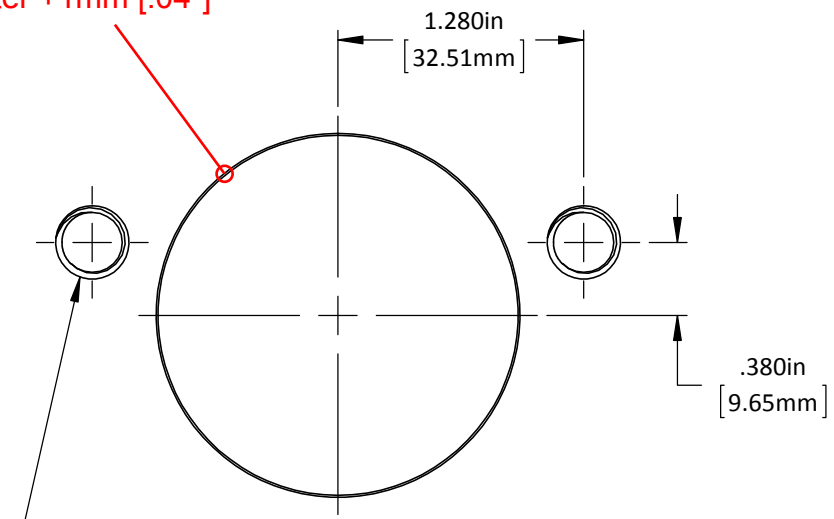


\*Recommended Minimum Hole Size to be  
Cylinder Body Diameter +1mm [.04"]



"E" = 3/8"-16 Tap X .75in Dp.  
"M" = M10-1.50 Tap X 20mm Dp.  
(2) Plcs.