

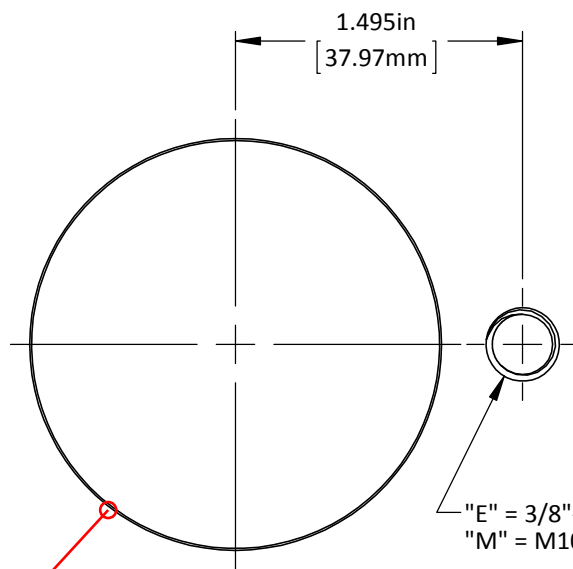
DO NOT SCALE DRAWING

REV 1

This product may be covered by one or more patents or
 patent applications.
 See <http://www.standardlifters.com/patents.html> for details.

Gas Spring Clamp-GSC-50-B

STANDARD LIFTERS INC



*Recommended Minimum Hole Size to be
Cylinder Body Diameter +1mm [.04"]

DO NOT SCALE DRAWING	REV 1	Gas Spring Clamp-GSC-50-B-Machining
This product may be covered by one or more patents or patent applications. See http://www.standardlifters.com/patents.html for details.		