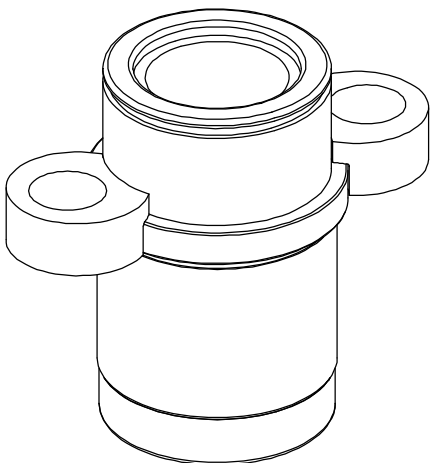
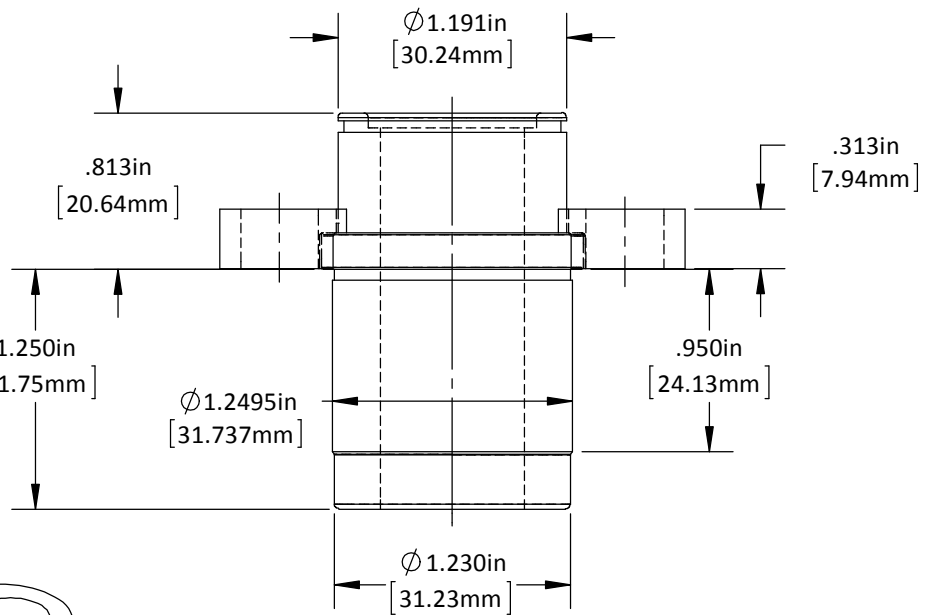
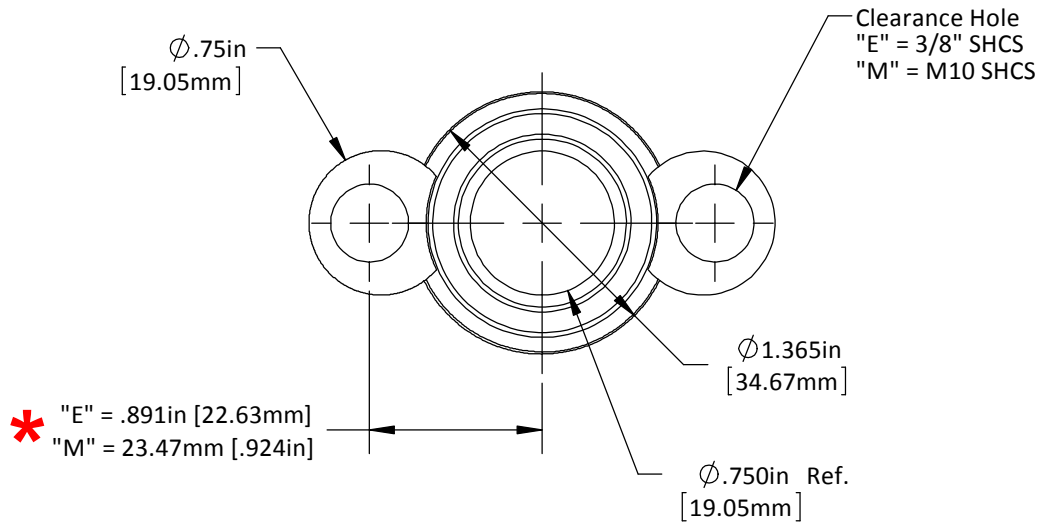


*** Caution: English & Metric Hole Locations are NOT the Same!**



DO NOT SCALE DRAWING

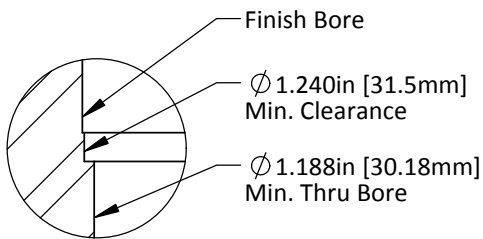
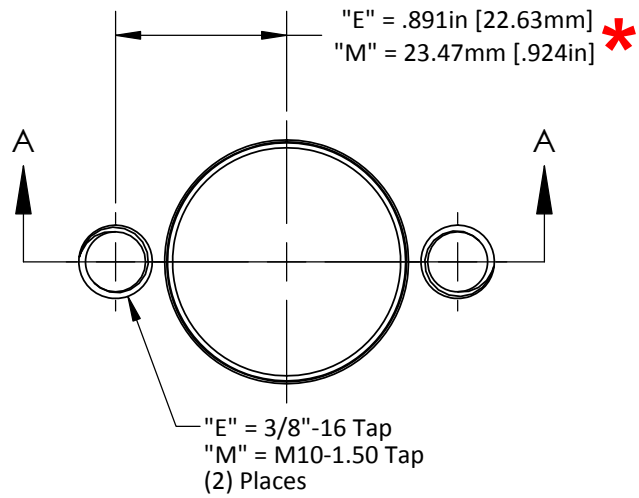
REV 2

This product may be covered by one or more patents or patent applications. See <http://www.standardlifters.com/patents.html> for details.

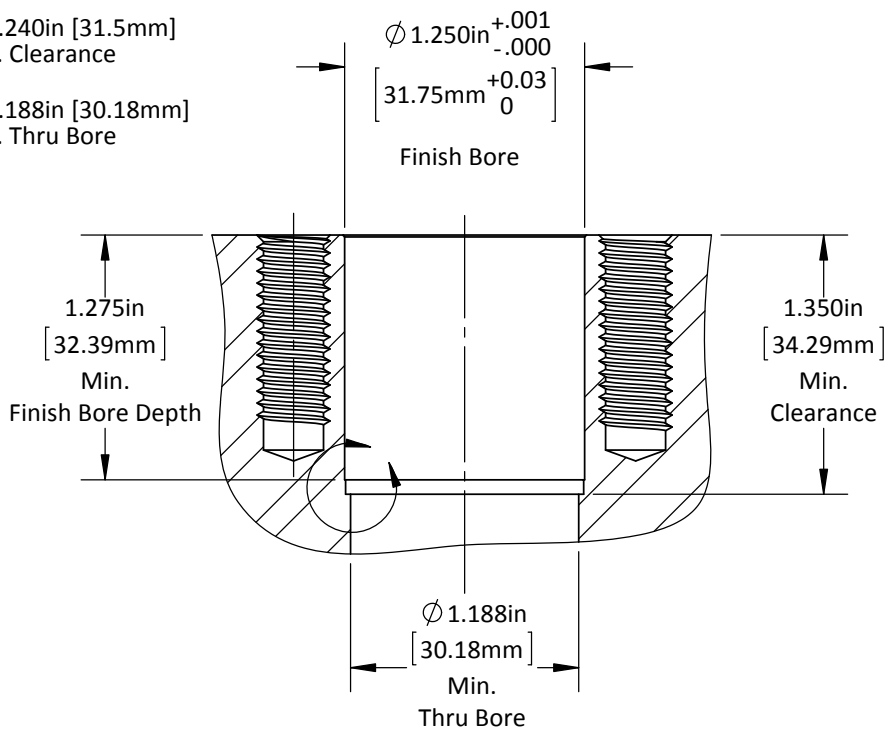
Base-GK75-H2

STANDARD LIFTERS INC

*** Caution: English & Metric Hole Locations are NOT the Same!**



DETAIL SCALE :



DO NOT SCALE DRAWING	REV 2
This product may be covered by one or more patents or patent applications. See http://www.standardlifters.com/patents.html for details.	

GK75-H2-Base Machining
STANDARD LIFTERS INC