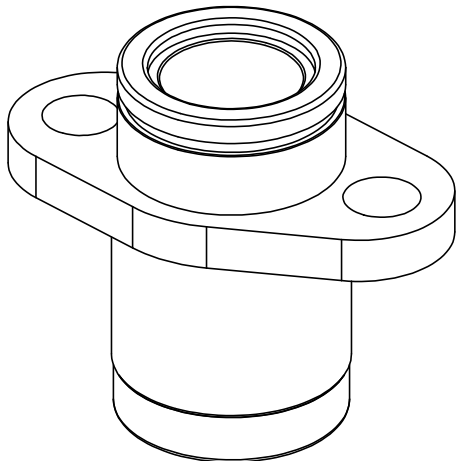
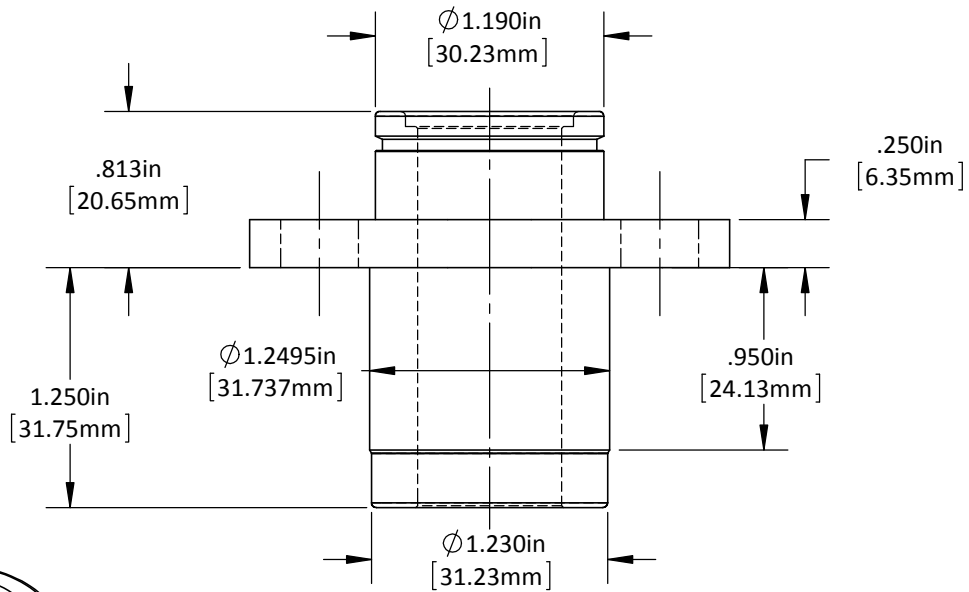
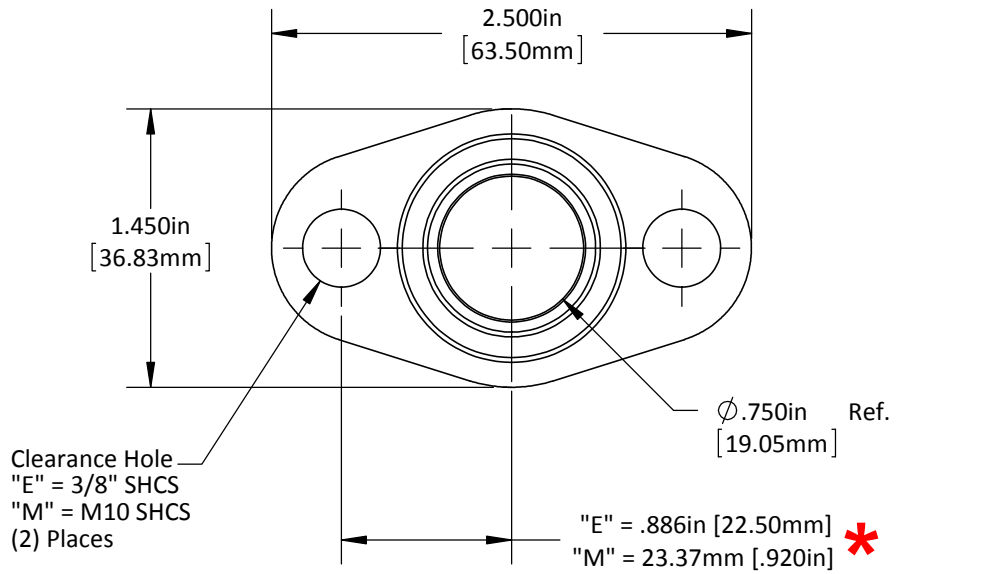


*** Caution: English & Metric Hole Locations are NOT the Same!**



DO NOT SCALE DRAWING

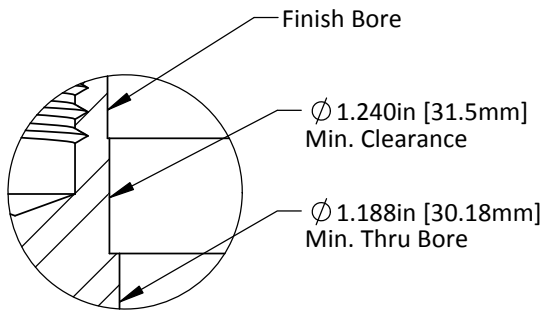
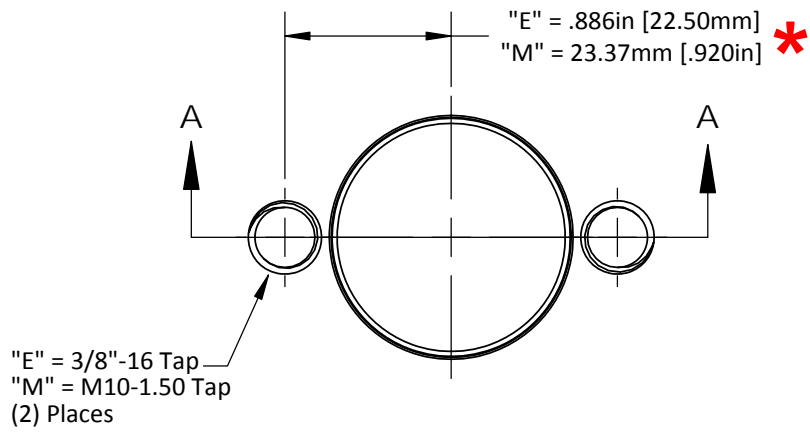
REV 1

This product may be covered by one or more patents or patent applications. See <http://www.standardlifters.com/patents.html> for details.

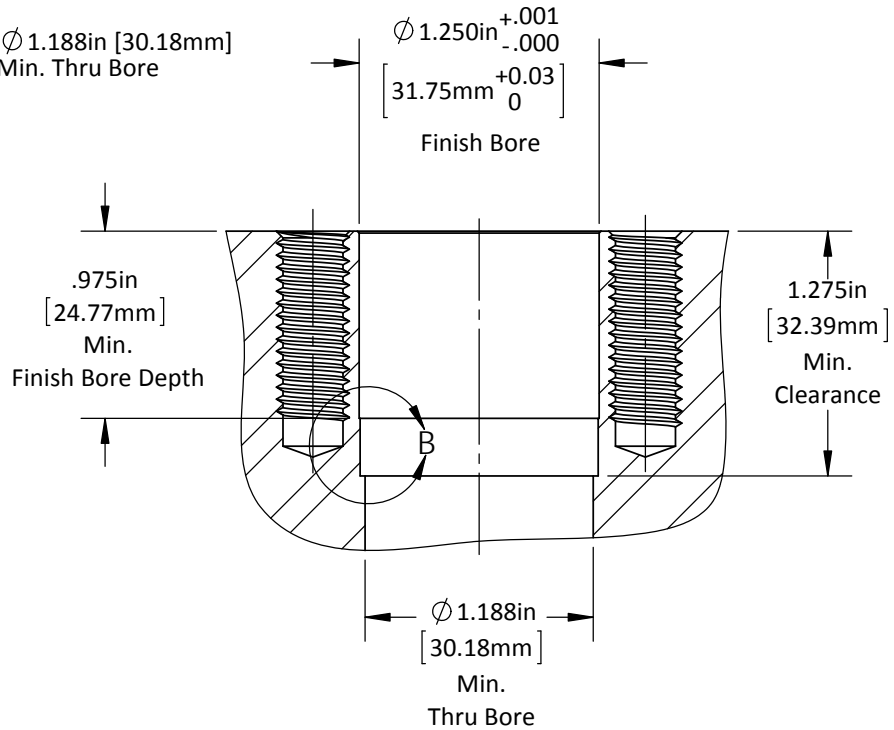
Base-GK70-L2

STANDARD LIFTERS INC

*** Caution: English & Metric Hole Locations are NOT the Same!**



DETAIL B
 SCALE 2 : 1



DO NOT SCALE DRAWING	REV 2	GK70-L2-Base Machining
This product may be covered by one or more patents or patent applications. See http://www.standardlifters.com/patents.html for details.		