

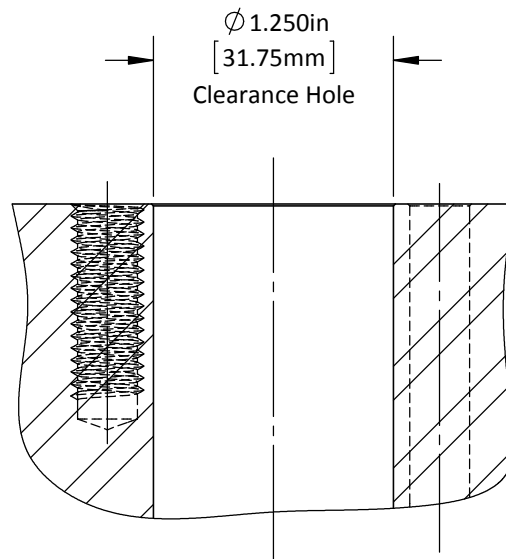
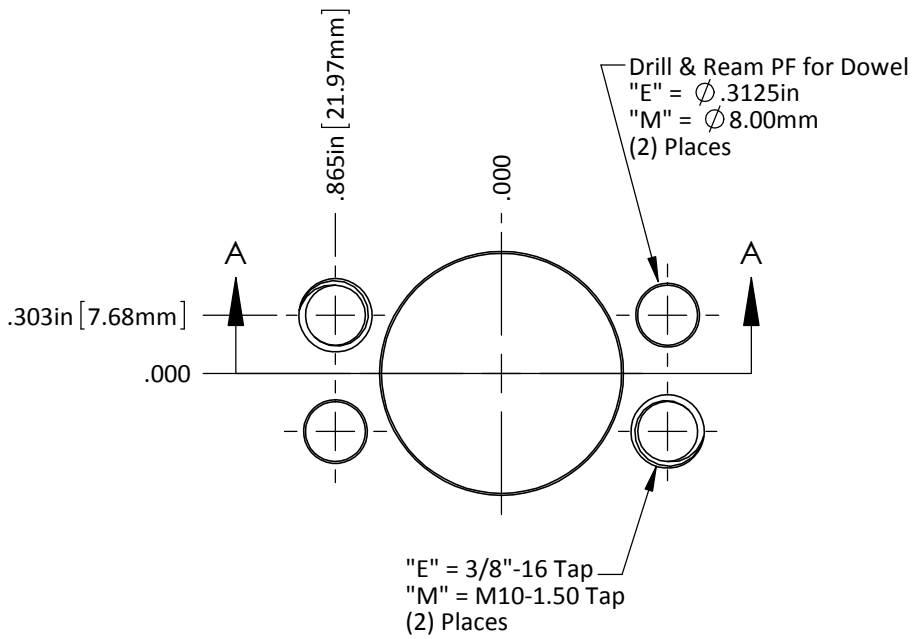
DO NOT SCALE DRAWING

REV 1

This product may be covered by one or more patents or patent applications.  
See <http://www.standardlifters.com/patents.html> for details.

**Base-GK70-B**

**STANDARD LIFTERS INC**



DO NOT SCALE DRAWING

REV 1

This product may be covered by one or more patents or  
 patent applications.  
 See <http://www.standardlifters.com/patents.html> for details.

**GK70-B-Base Machining**

**STANDARD LIFTERS INC**