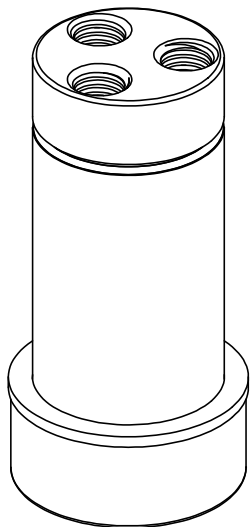
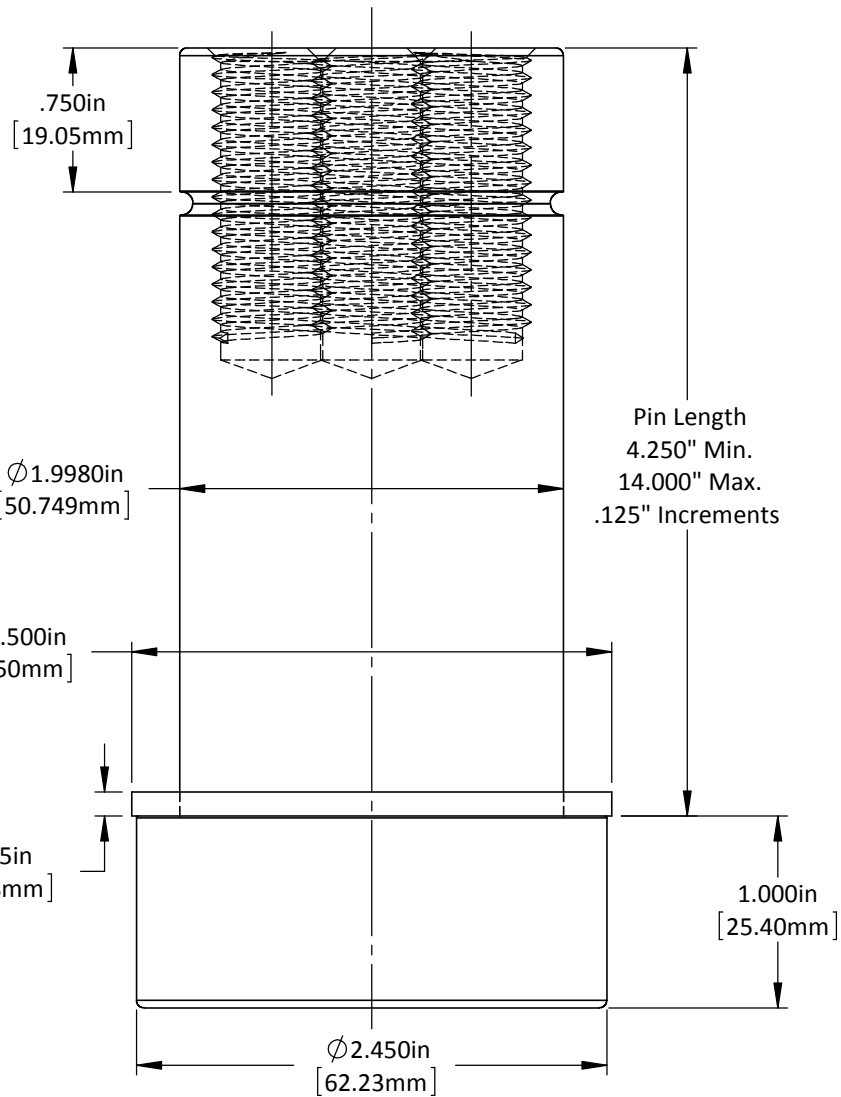


"E" = 5/8"-11 Tap
 1.50in Dp.
 "M" = M16-2.0 Tap
 38mm Dp.
 (3) Holes Equally Spaced
 on a 1.200in [30.48mm]
 Bolt Circle

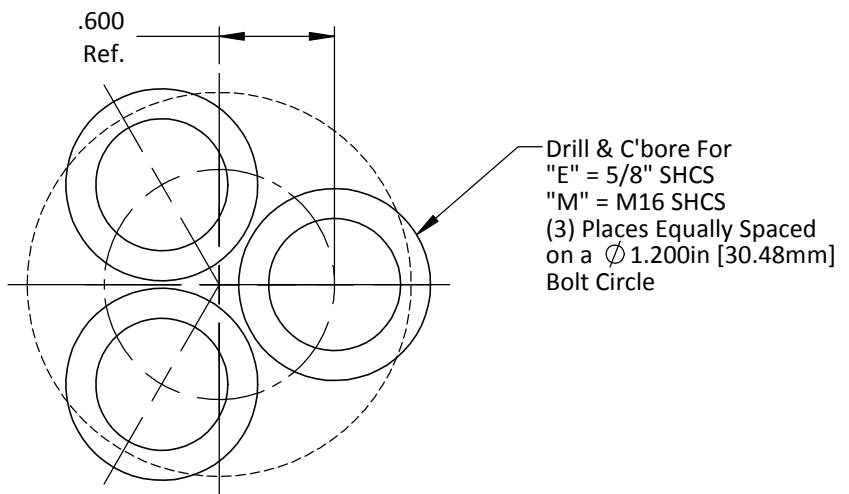
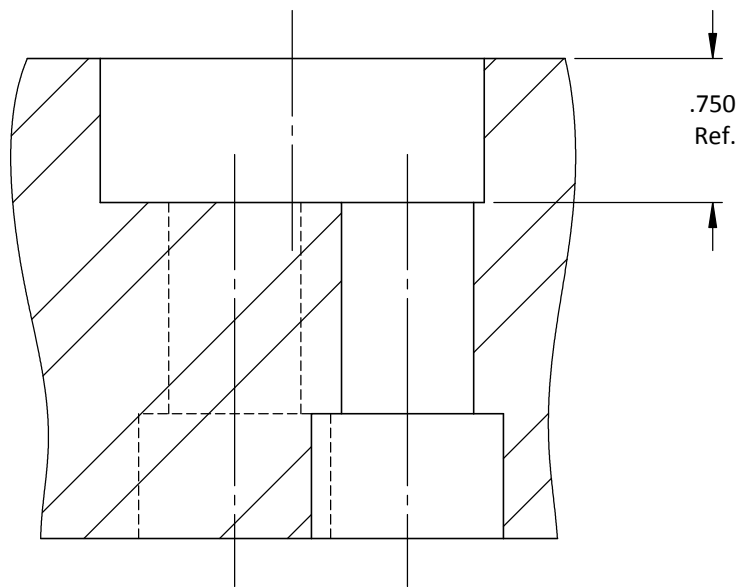
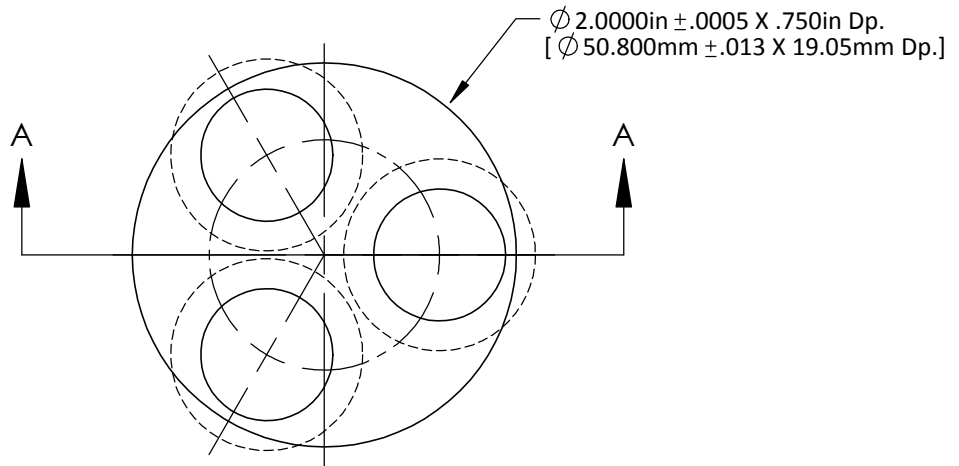


DO NOT SCALE DRAWING REV 1

This product may be covered by one or more patents or patent applications.
 See <http://www.standardlifters.com/patents.html> for details.

Guide Pin GK205

STANDARD LIFTERS INC



DO NOT SCALE DRAWING	REV 1
This product may be covered by one or more patents or patent applications. See http://www.standardlifters.com/patents.html for details.	

Guide Pin GK205-Machining
STANDARD LIFTERS INC