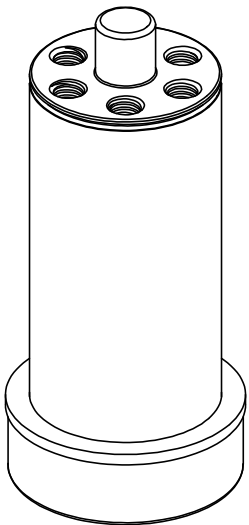
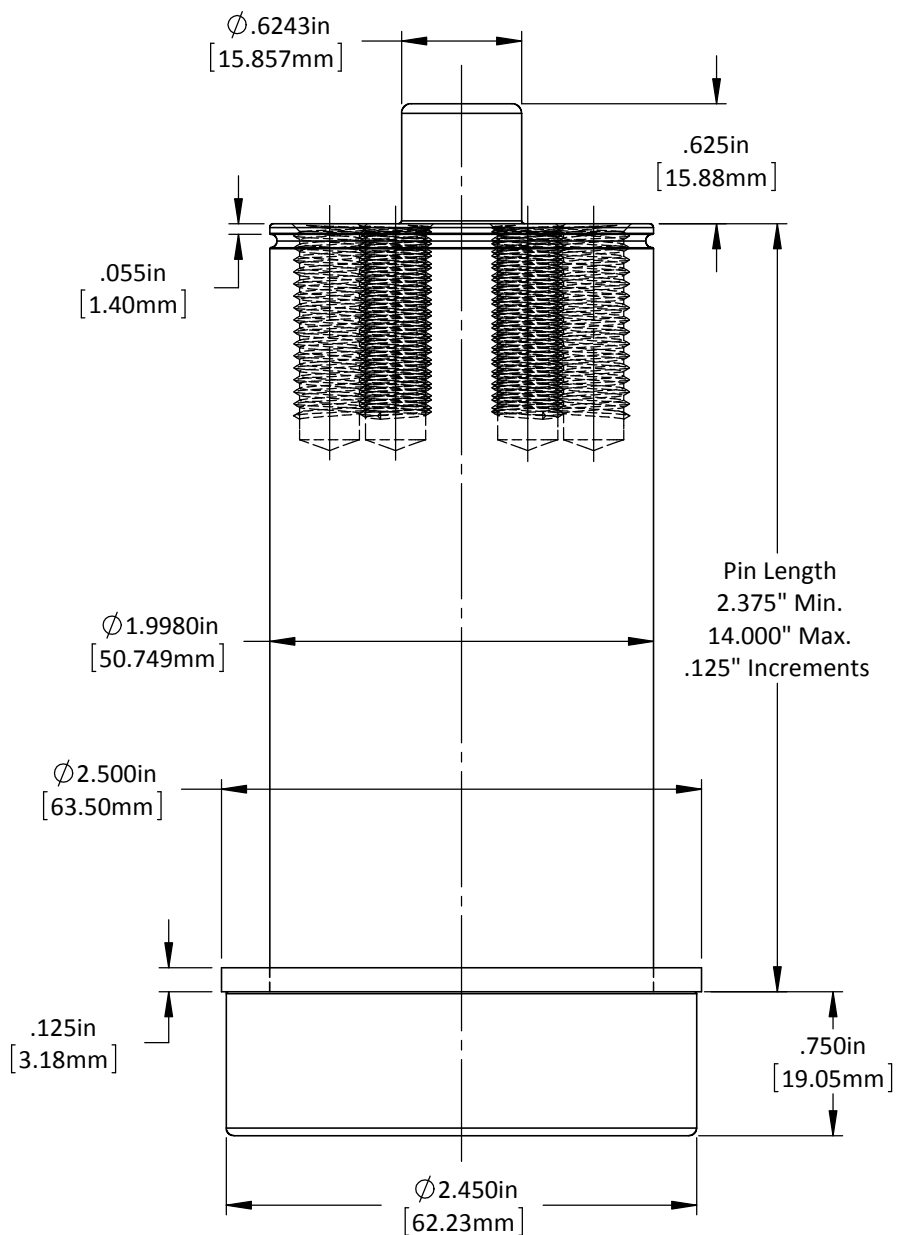
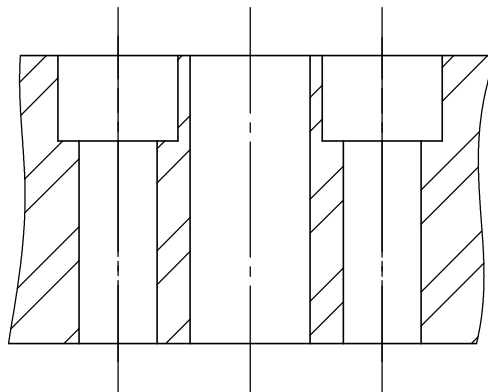
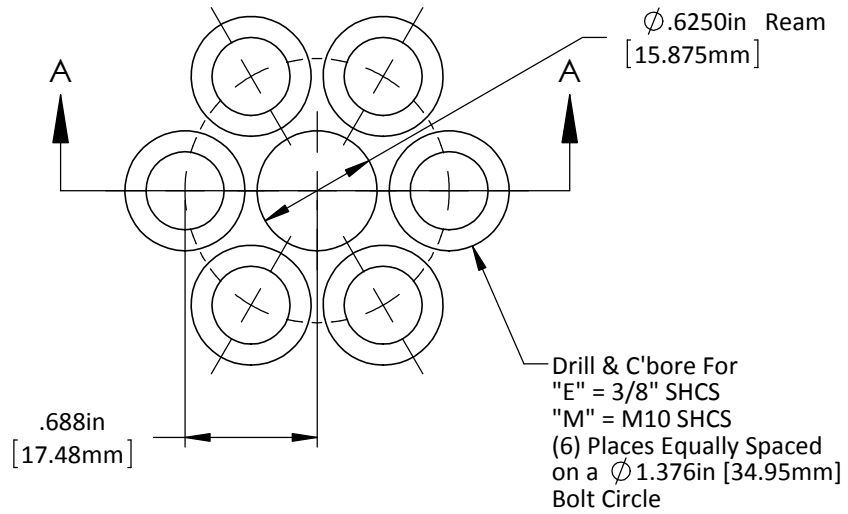


"E" = 3/8-16 Tap
 1.00" Dp.
 "M" = M10-1.5 Tap
 25mm Dp.
 (6) Places Equally Spaced
 On a ϕ 1.376" [34.95mm]
 Bolt Circle



DO NOT SCALE DRAWING	REV 1	Guide Pin GK200 STANDARD LIFTERS INC
This product may be covered by one or more patents or patent applications. See http://www.standardlifters.com/patents.html for details.		



DO NOT SCALE DRAWING

REV 1

This product may be covered by one or more patents or
 patent applications.
 See <http://www.standardlifters.com/patents.html> for details.

Guide Pin GK200-Machining

STANDARD LIFTERS INC