

**\*Caution: English & Metric Hole Locations are NOT the Same!**

DO NOT SCALE DRAWING

REV 2

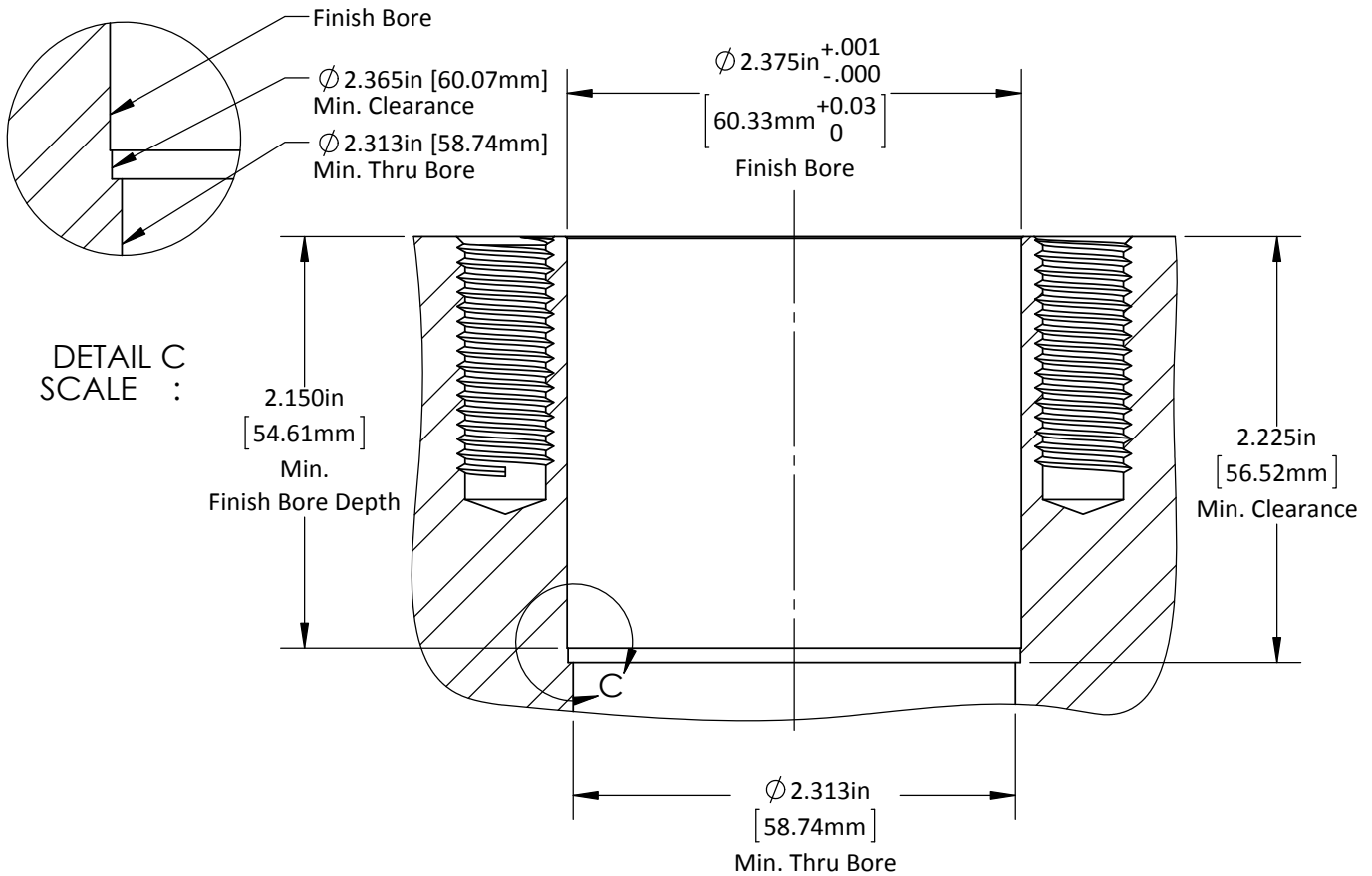
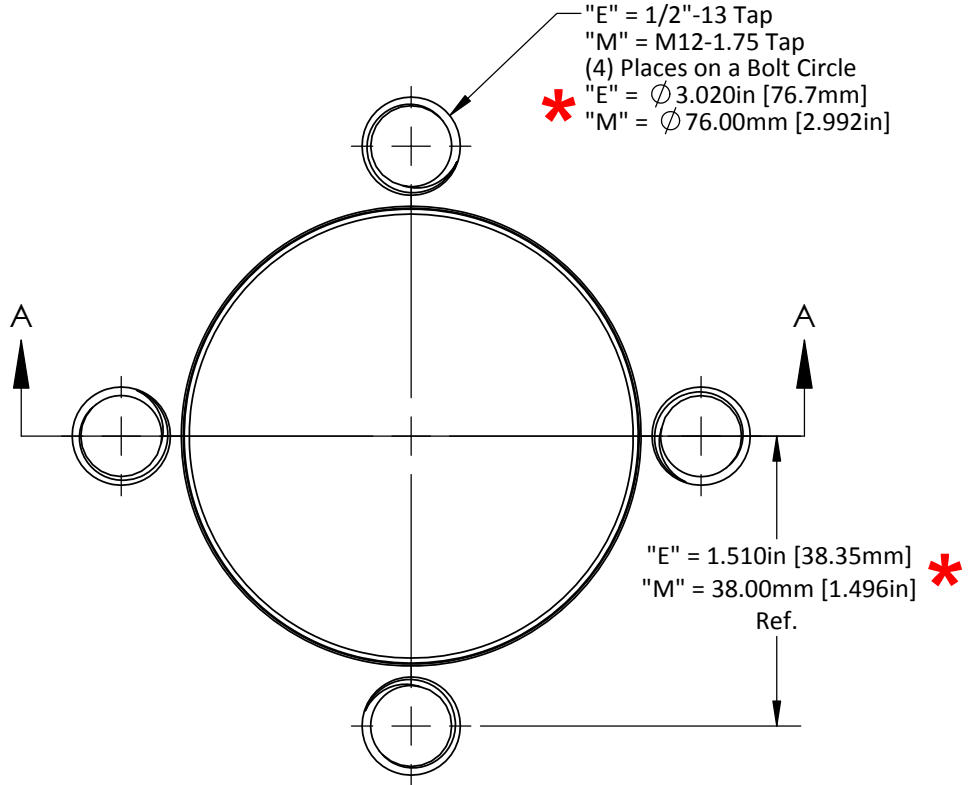
This product may be covered by one or more patents or patent applications. See <http://www.standardlifters.com/patents.html> for details.

**Base-GK175-H3**

**STANDARD LIFTERS INC**

**\* Caution: English & Metric Hole Locations are NOT the Same!**

"E" = 1/2"-13 Tap  
 "M" = M12-1.75 Tap  
 (4) Places on a Bolt Circle  
 \* "E" =  $\varnothing$  3.020in [76.7mm]  
 \* "M" =  $\varnothing$  76.00mm [2.992in]



DO NOT SCALE DRAWING	REV 2	<b>GK175-H3-Base Machining</b> <b>STANDARD LIFTERS INC</b>
This product may be covered by one or more patents or patent applications. See <a href="http://www.standardlifters.com/patents.html">http://www.standardlifters.com/patents.html</a> for details.		