

*** Caution: English & Metric Hole Locations are NOT the Same!**

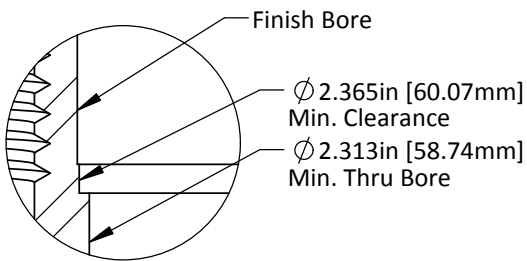
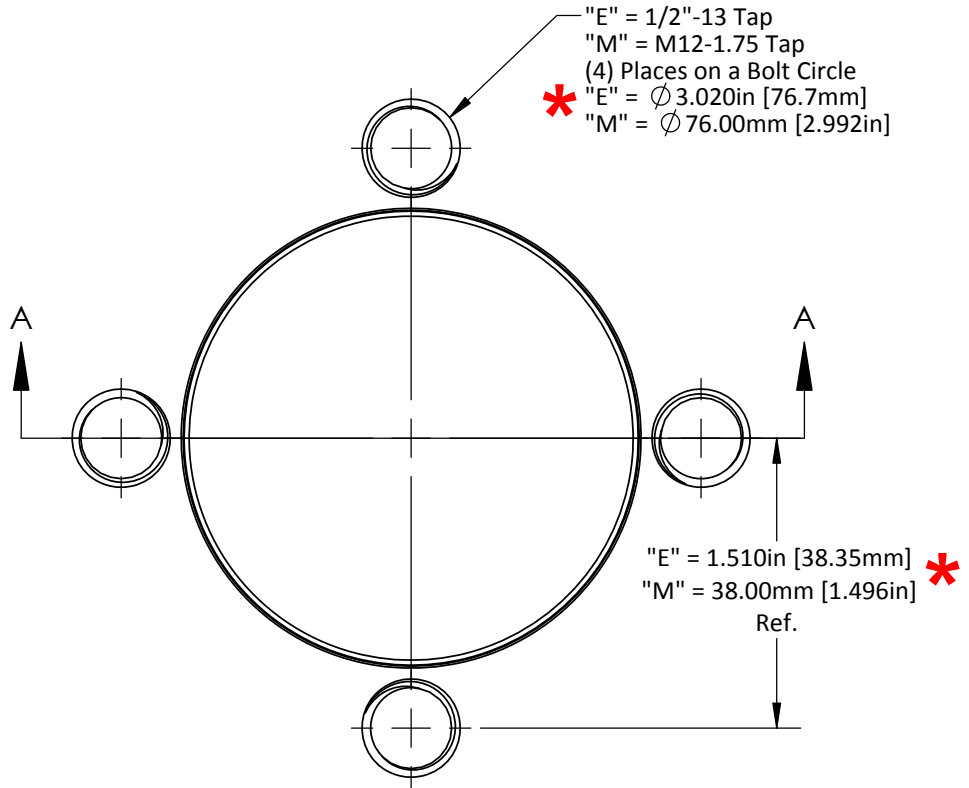
DO NOT SCALE DRAWING | REV 2

This product may be covered by one or more patents or patent applications.
 See <http://www.standardlifters.com/patents.html> for details.

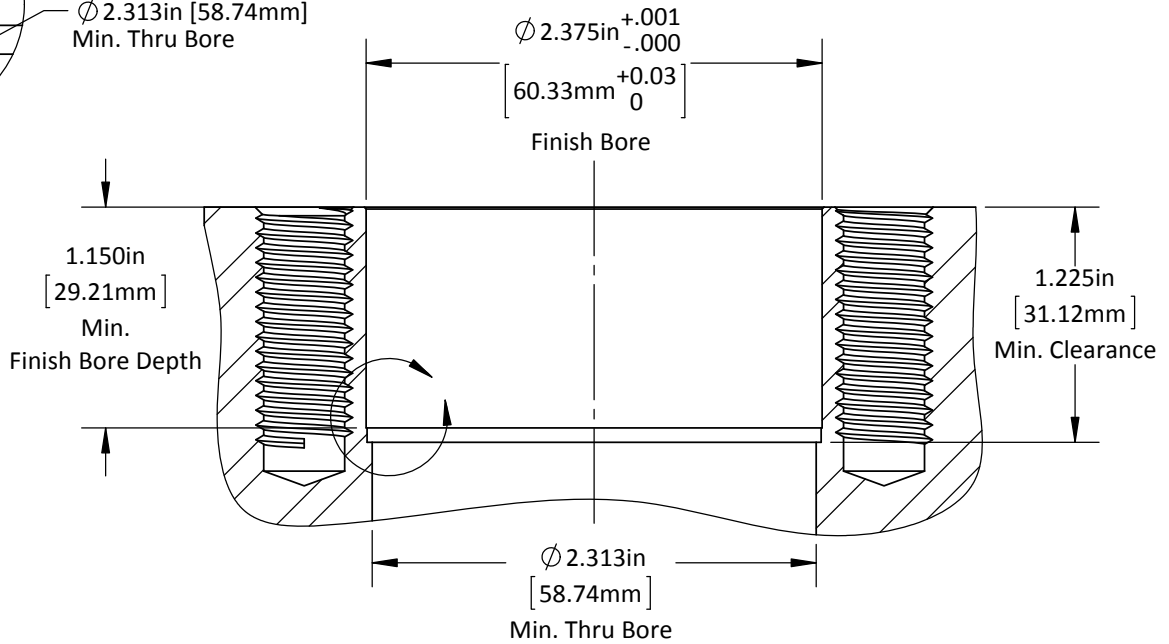
Base-GK175-H2

STANDARD LIFTERS INC

*** Caution: English & Metric Hole Locations are NOT the Same!**



DETAIL SCALE :



DO NOT SCALE DRAWING

REV 2

This product may be covered by one or more patents or patent applications.
 See <http://www.standardlifters.com/patents.html> for details.

GK175-H2-Base Machining

STANDARD LIFTERS INC