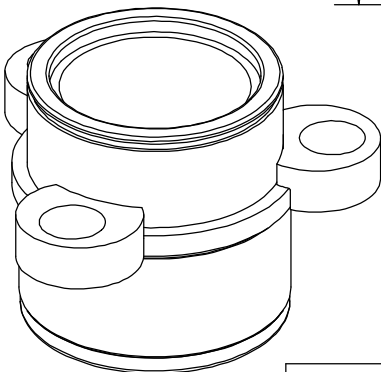
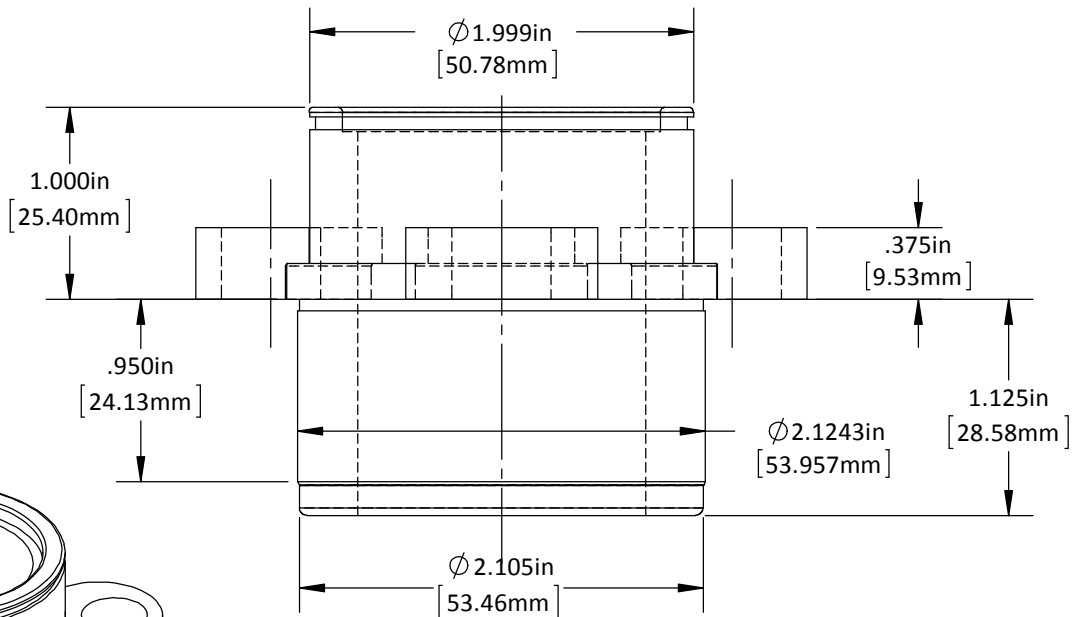
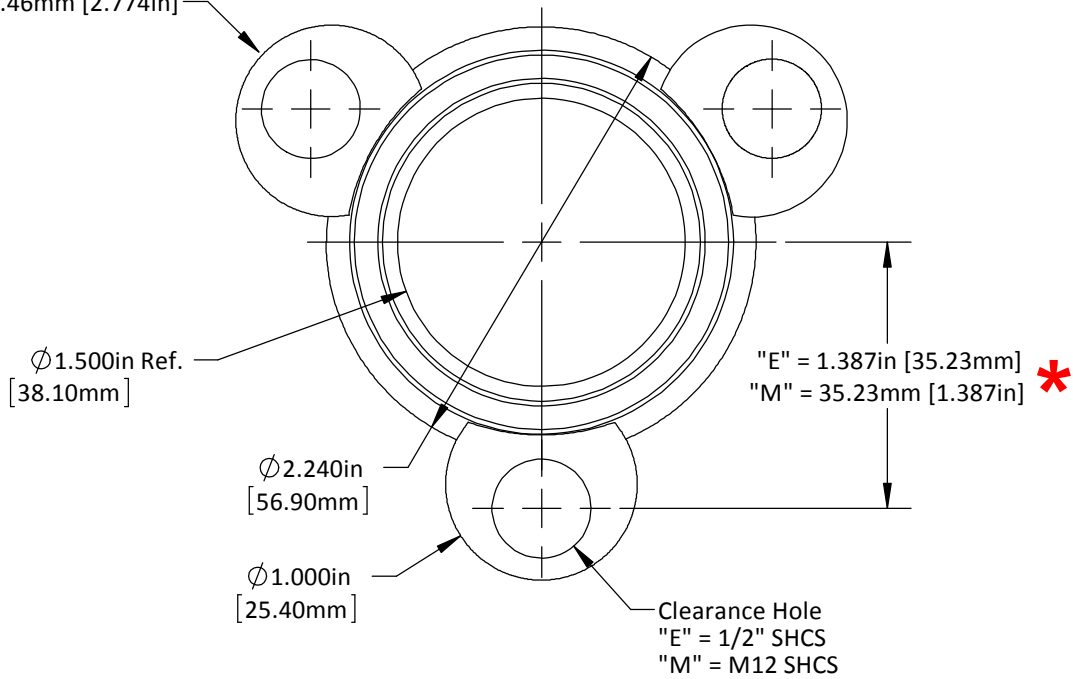


**\* Caution: English & Metric Hole Locations are NOT the Same!**

(3) Flange Clamps on Bolt Circle:

\* "E" =  $\phi$  2.774in [70.46mm]  
 "M" =  $\phi$  70.46mm [2.774in]



DO NOT SCALE DRAWING

REV 2

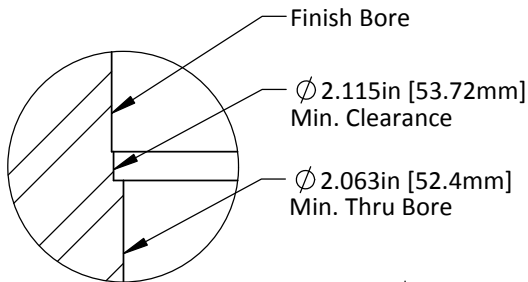
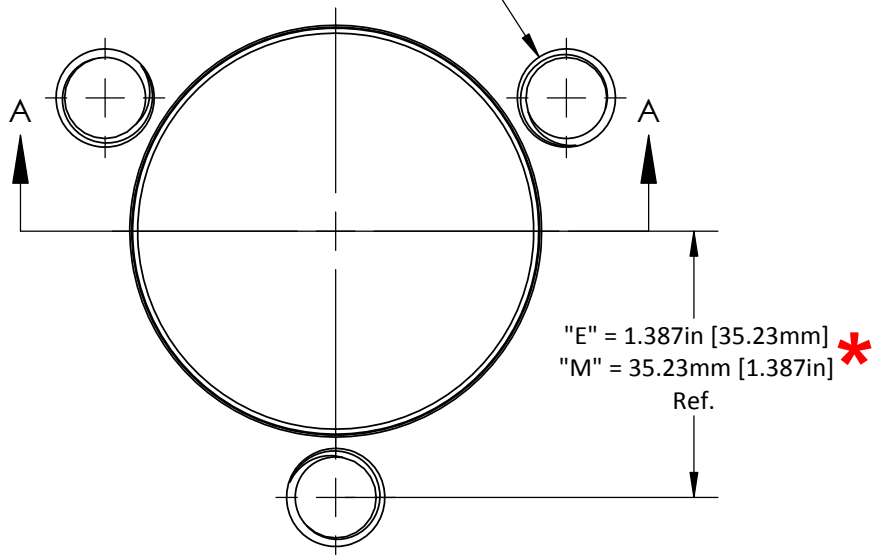
This product may be covered by one or more patents or patent applications. See <http://www.standardlifters.com/patents.html> for details.

**Base-GK150-H2**

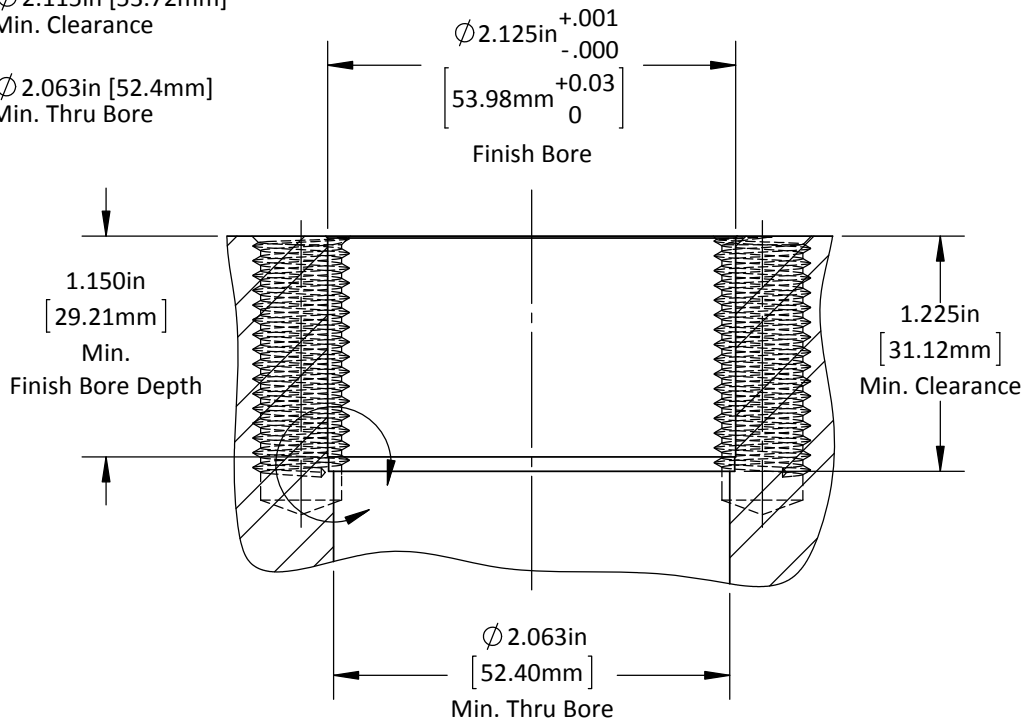
**STANDARD LIFTERS INC**

**\* Caution: English & Metric Hole Locations are NOT the Same!**

"E" = 1/2"-13 Tap  
 "M" = M12-1.75 Tap  
 (3) Places on a Bolt Circle  
 \* "E" =  $\varnothing 2.774\text{in}$  [70.46mm]  
 \* "M" =  $\varnothing 70.46\text{mm}$  [2.774in]



DETAIL SCALE :



DO NOT SCALE DRAWING	REV 2
This product may be covered by one or more patents or patent applications. See <a href="http://www.standardlifters.com/patents.html">http://www.standardlifters.com/patents.html</a> for details.	

**GK150-H2-Base Machining**  
**STANDARD LIFTERS INC**