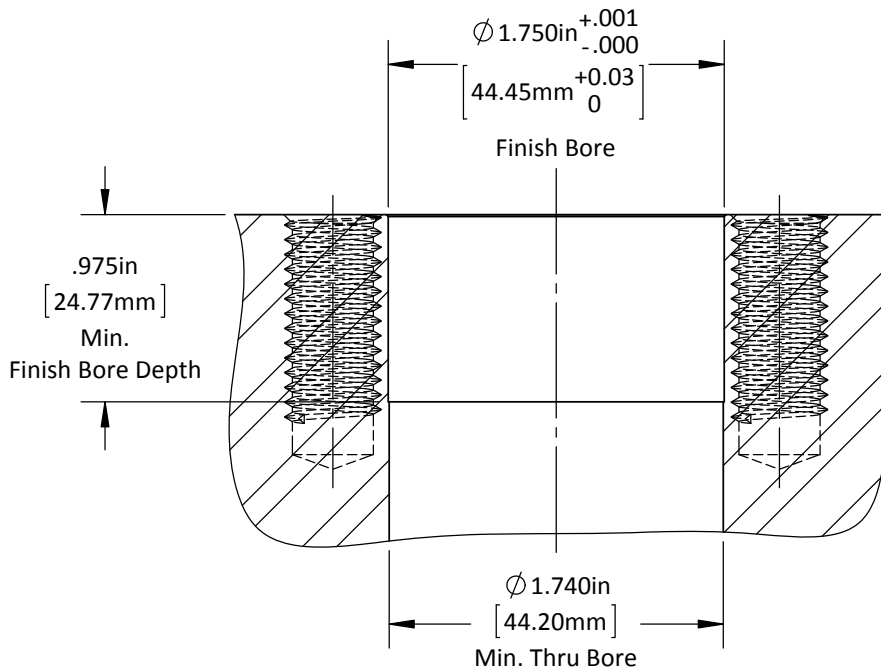
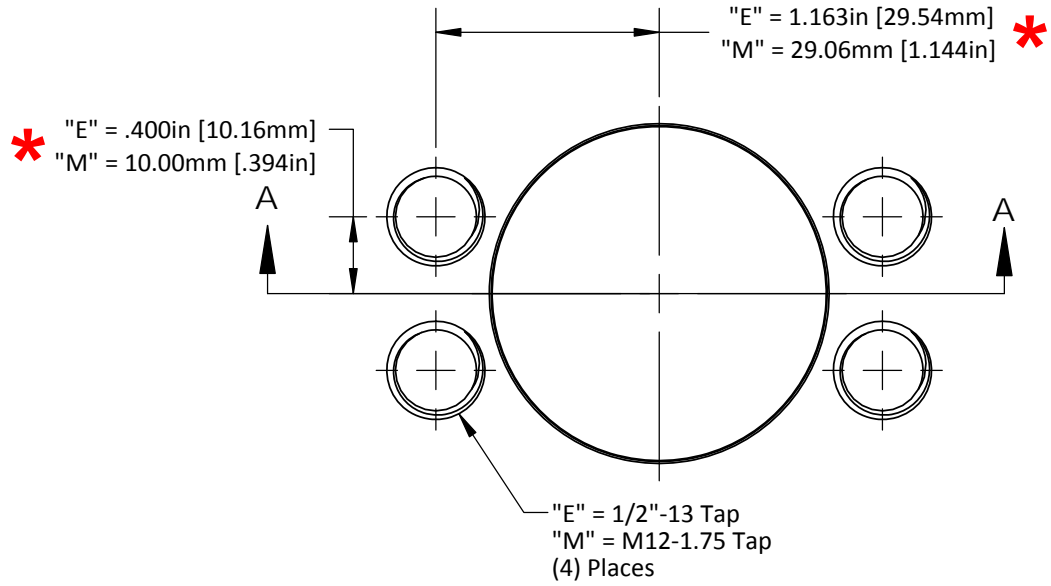




**\*Caution: English & Metric Hole Locations are NOT the Same!**



DO NOT SCALE DRAWING

REV 2

This product may be covered by one or more patents or patent applications.  
See <http://www.standardlifters.com/patents.html> for details.

**GK120-L2-Base Machining**

**STANDARD LIFTERS INC**