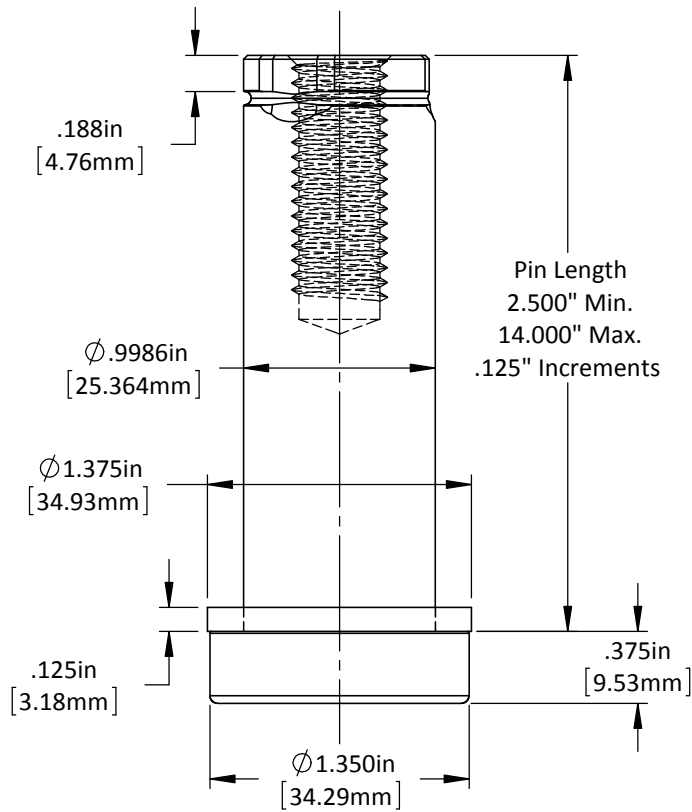
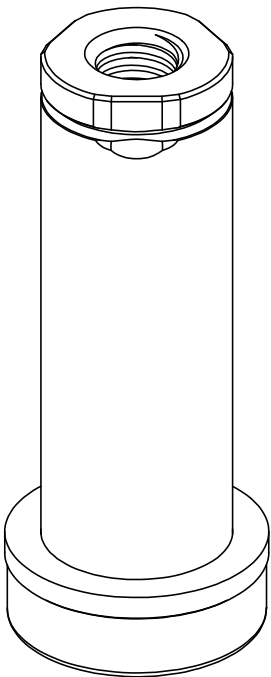


"E" = 1/2"-13 Tap
1.25" Dp.

"M" = M12-1.75 Tap
32mm Dp.

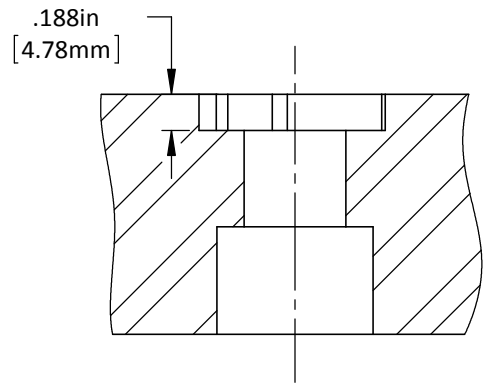
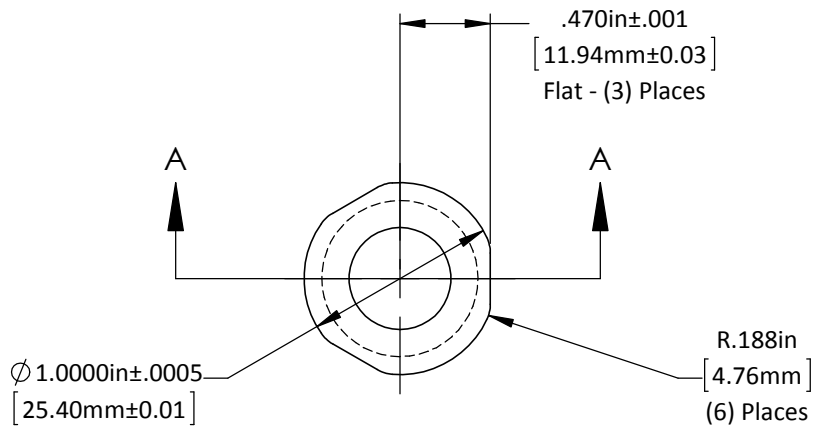


DO NOT SCALE DRAWING REV 1

This product may be covered by one or more patents or patent applications.
See <http://www.standardlifters.com/patents.html> for details.

Guide Pin GK105

STANDARD LIFTERS INC



Drill & C'bore For
 "E" = 1/2" SHCS
 "M" = M12 SHCS

