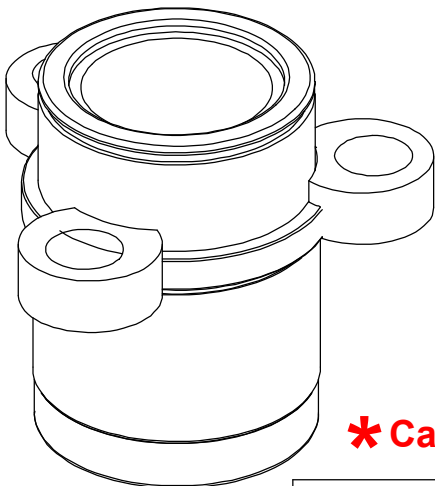
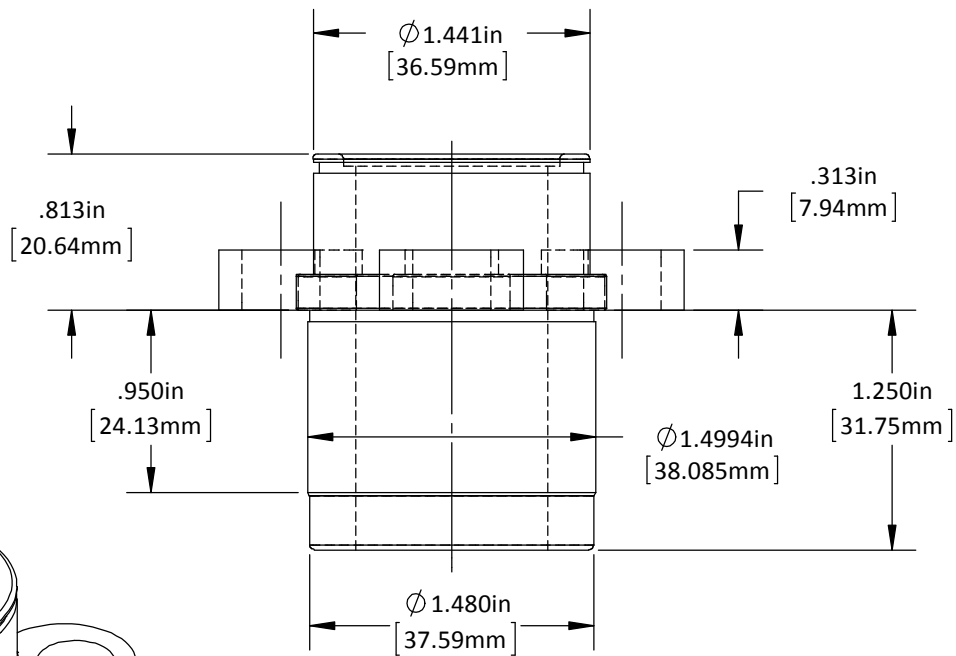
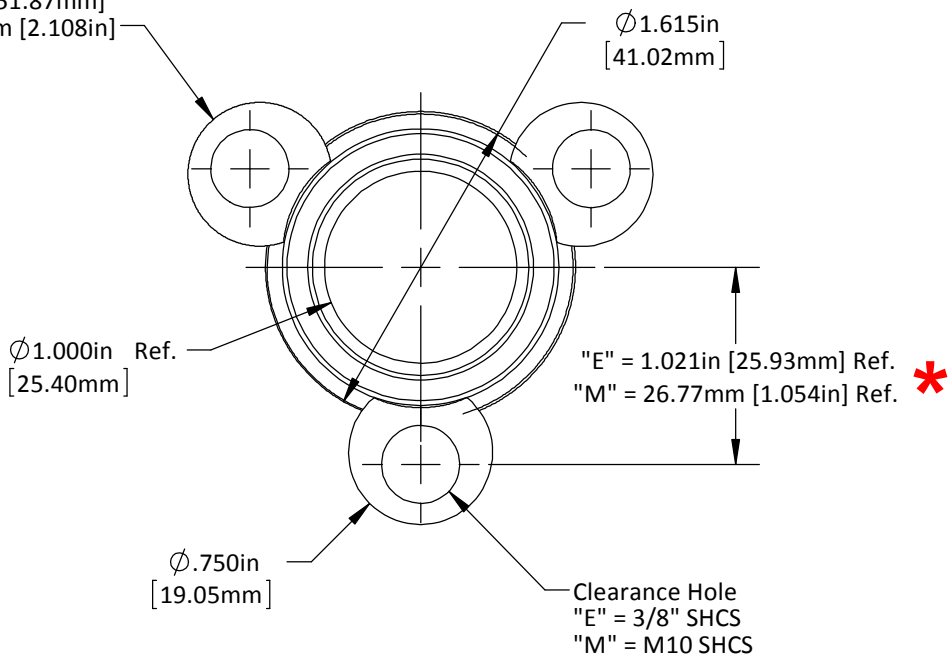


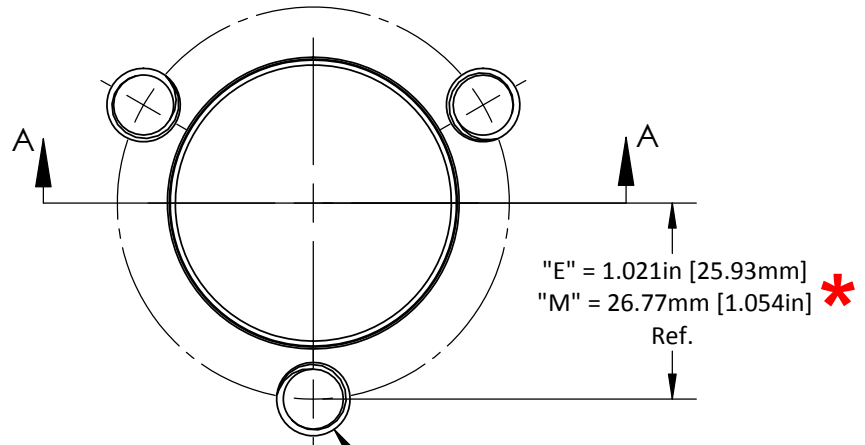
(3) Flange Clamps on Bolt Circle:  
 "E" = 2.042in [51.87mm]  
 \* "M" = 53.54mm [2.108in]



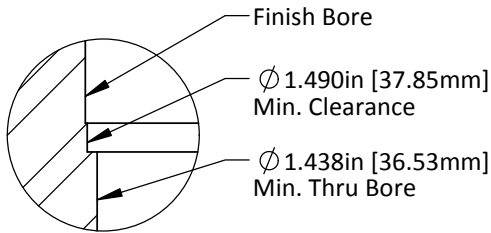
**\* Caution: English & Metric Hole Locations are NOT the Same!**

DO NOT SCALE DRAWING	REV 2	<b>Base-GK105-H2</b> <b>STANDARD LIFTERS INC</b>
This product may be covered by one or more patents or patent applications. See <a href="http://www.standardlifters.com/patents.html">http://www.standardlifters.com/patents.html</a> for details.		

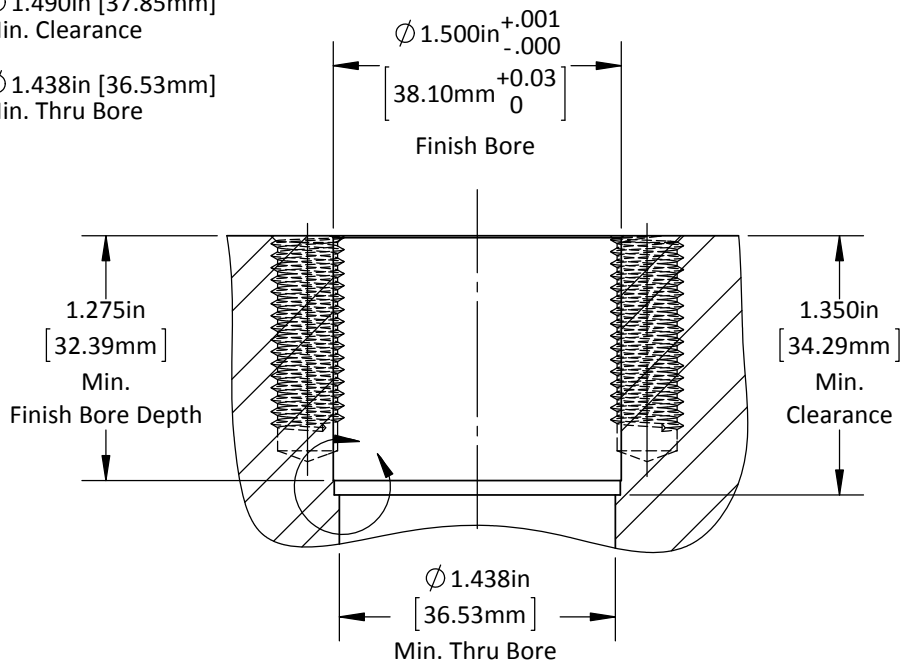
**\* Caution: English & Metric Hole Locations are NOT the Same!**



"E" = 3/8"-16 Tap  
 "M" = M10-1.50 Tap  
 (3) Places on a Bolt Circle  
 \* "E" = 2.042in [51.87mm]  
 "M" = 53.54mm [2.108in]



DETAIL SCALE :



DO NOT SCALE DRAWING	REV 2
This product may be covered by one or more patents or patent applications. See <a href="http://www.standardlifters.com/patents.html">http://www.standardlifters.com/patents.html</a> for details.	

**GK105-H2-Base-Machining**  
**STANDARD LIFTERS INC**