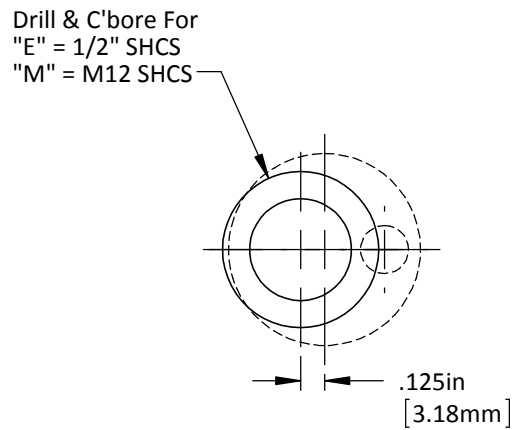
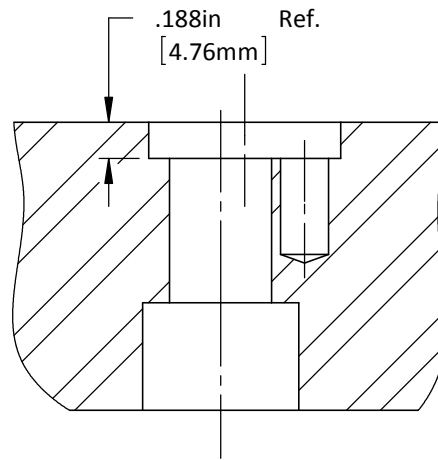
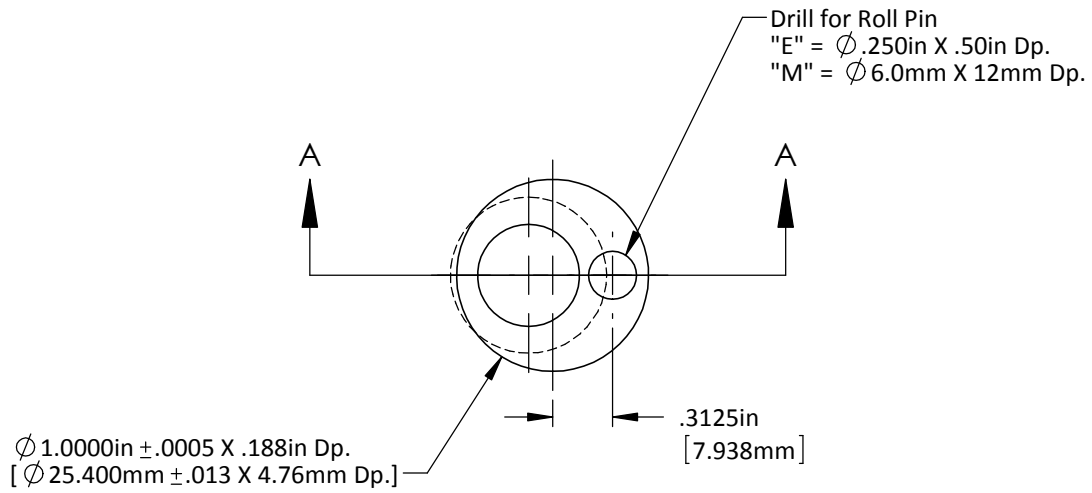


DO NOT SCALE DRAWING REV 1

This product may be covered by one or more patents or patent applications.
 See <http://www.standardlifters.com/patents.html> for details.

Guide Pin GK95

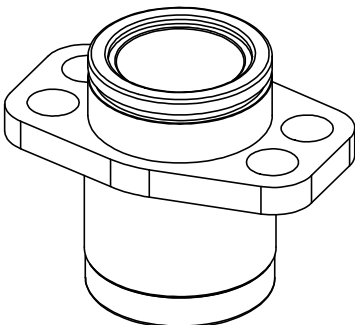
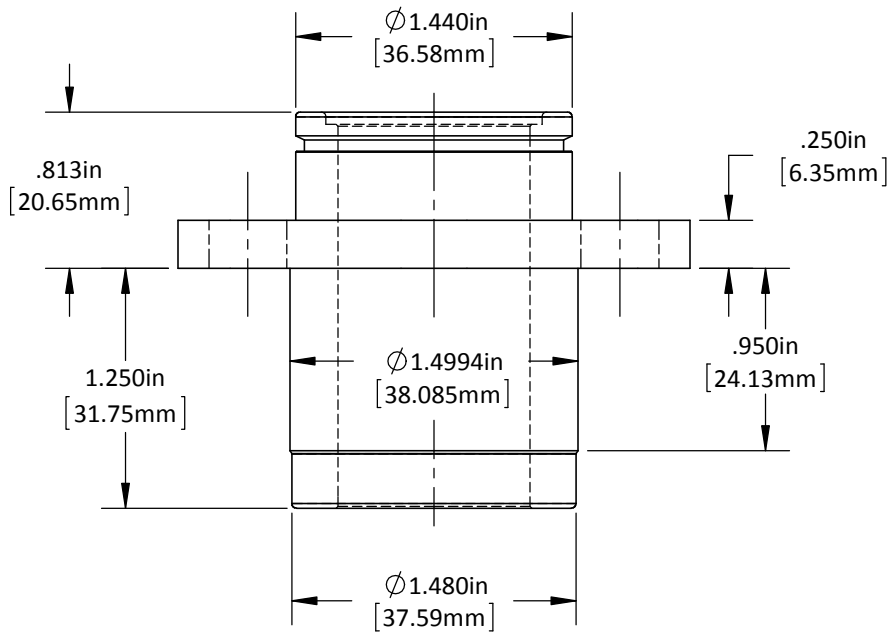
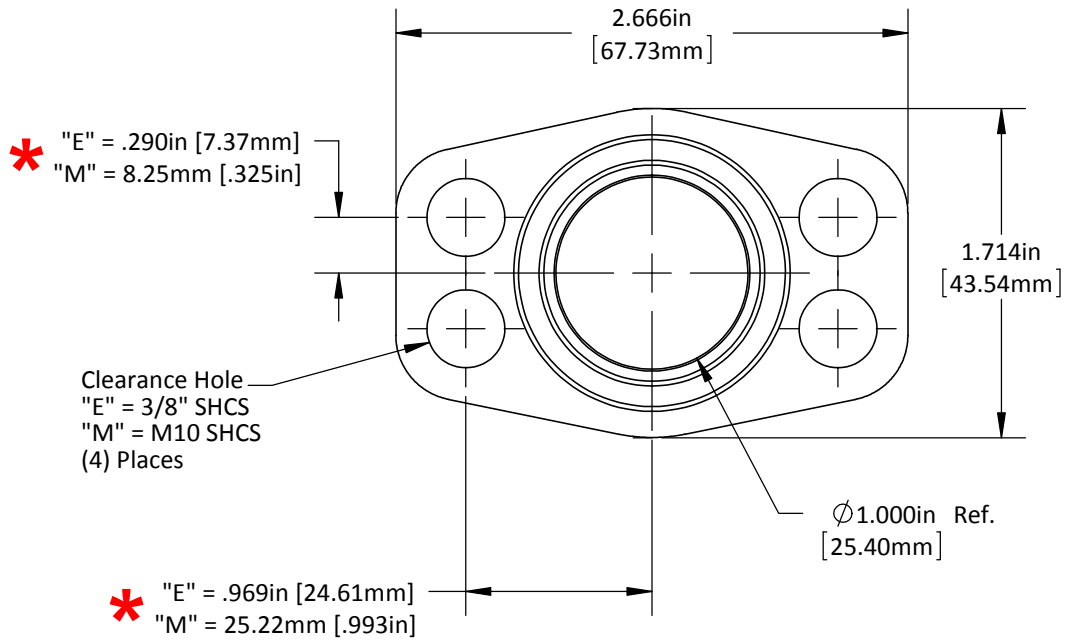
STANDARD LIFTERS INC



| | |
|--|-------|
| DO NOT SCALE DRAWING | REV 1 |
| This product may be covered by one or more patents or patent applications. See http://www.standardlifters.com/patents.html for details. | |

Guide Pin GK95-Machining
STANDARD LIFTERS INC

***Caution: English & Metric Hole Locations are NOT the Same!**



DO NOT SCALE DRAWING

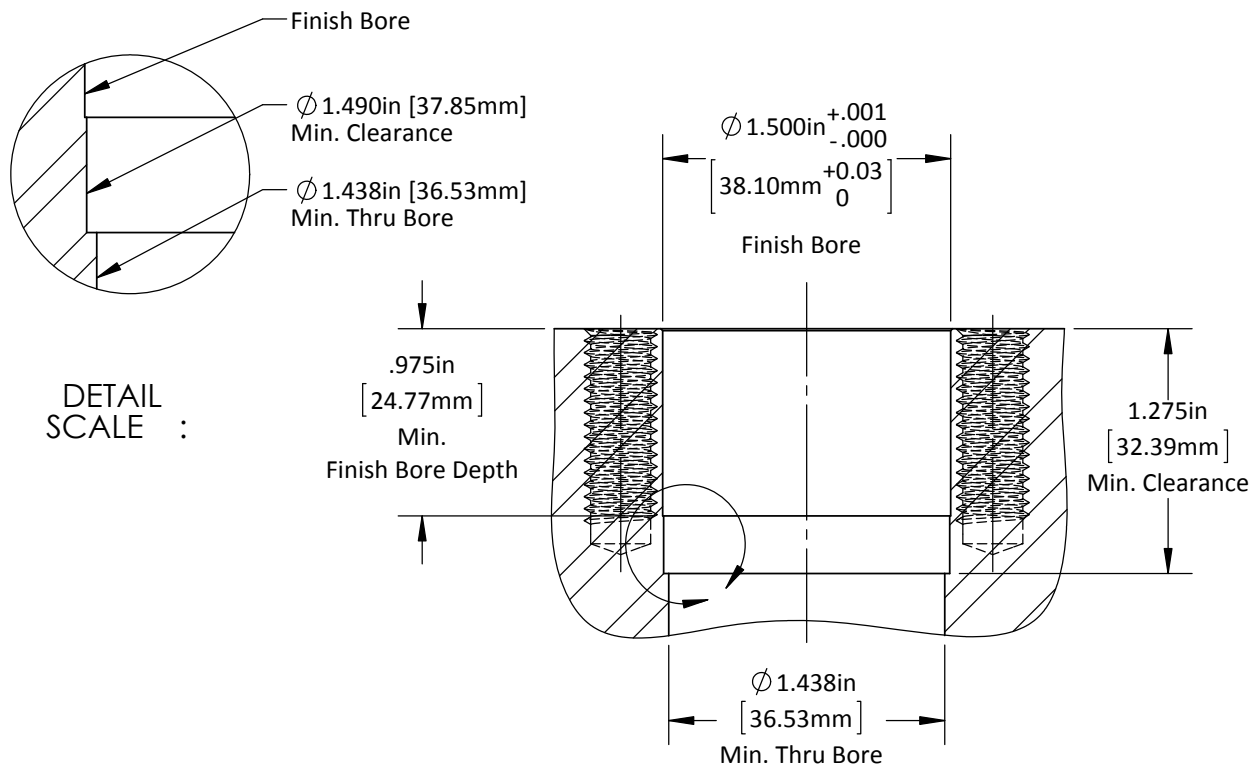
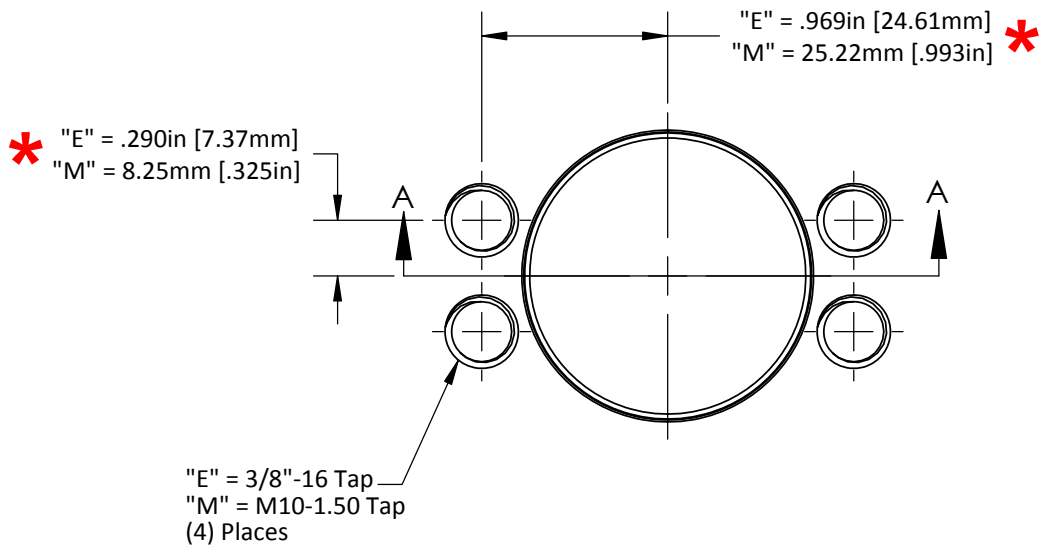
REV 1

This product may be covered by one or more patents or patent applications. See <http://www.standardlifters.com/patents.html> for details.

Base-GK95-L2

STANDARD LIFTERS INC

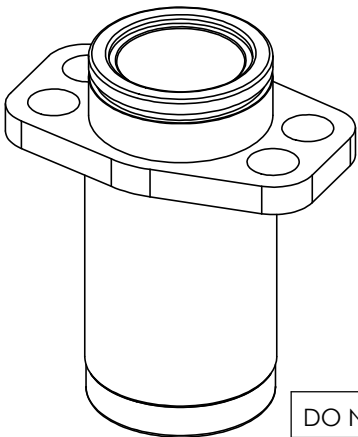
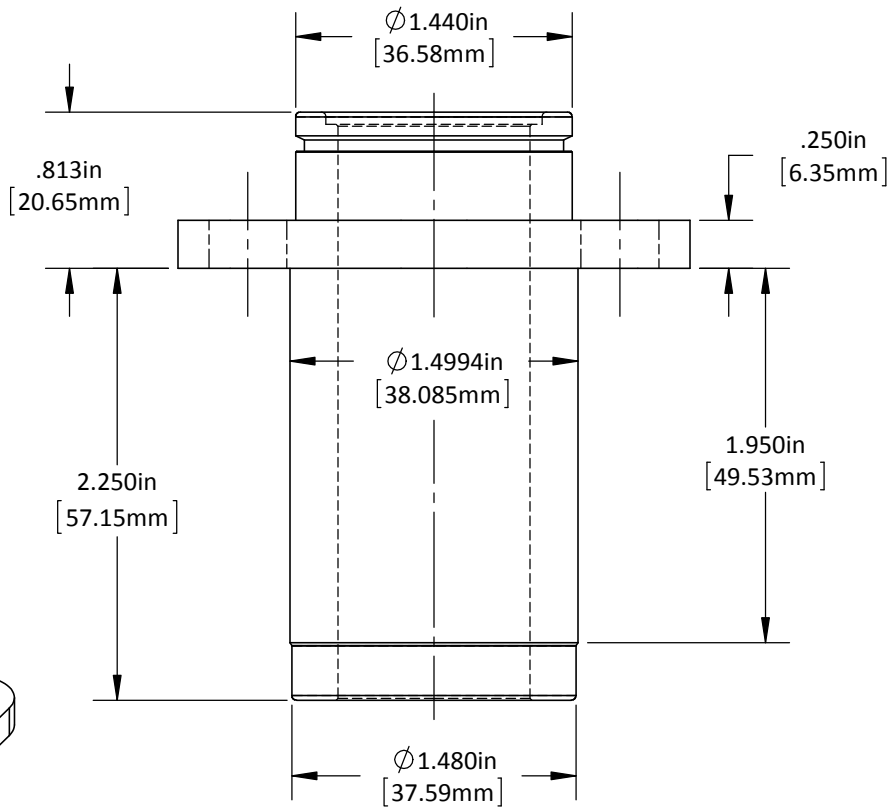
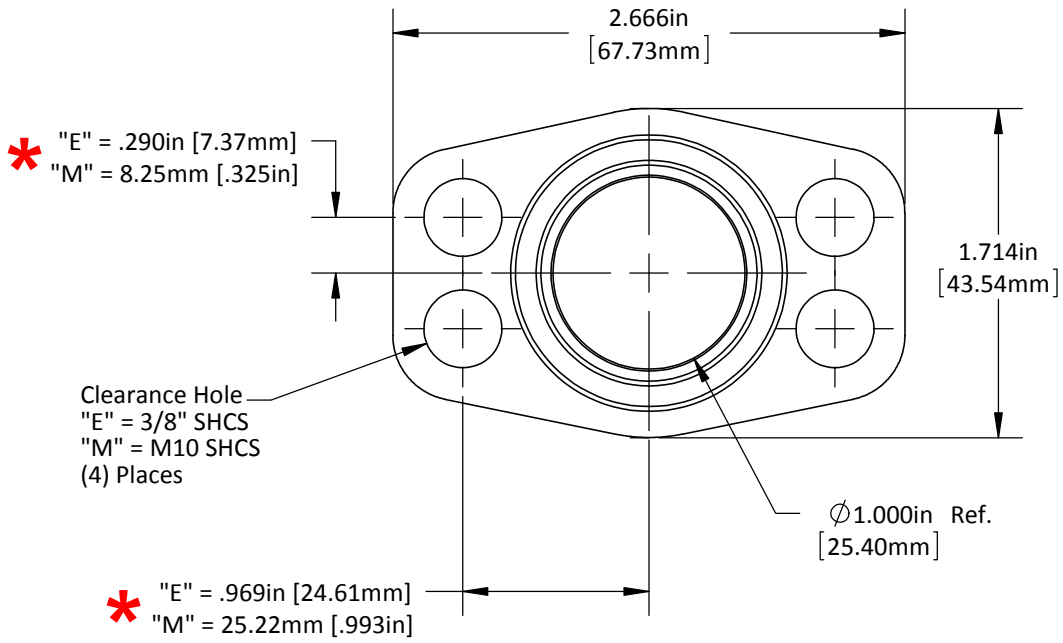
***Caution: English & Metric Hole Locations are NOT the Same!**



DETAIL SCALE :

| | | |
|--|-------|-------------------------------|
| DO NOT SCALE DRAWING | REV 2 | GK95-L2-Base-Machining |
| This product may be covered by one or more patents or patent applications. See http://www.standardlifters.com/patents.html for details. | | |

***Caution: English & Metric Hole Locations are NOT the Same!**



DO NOT SCALE DRAWING

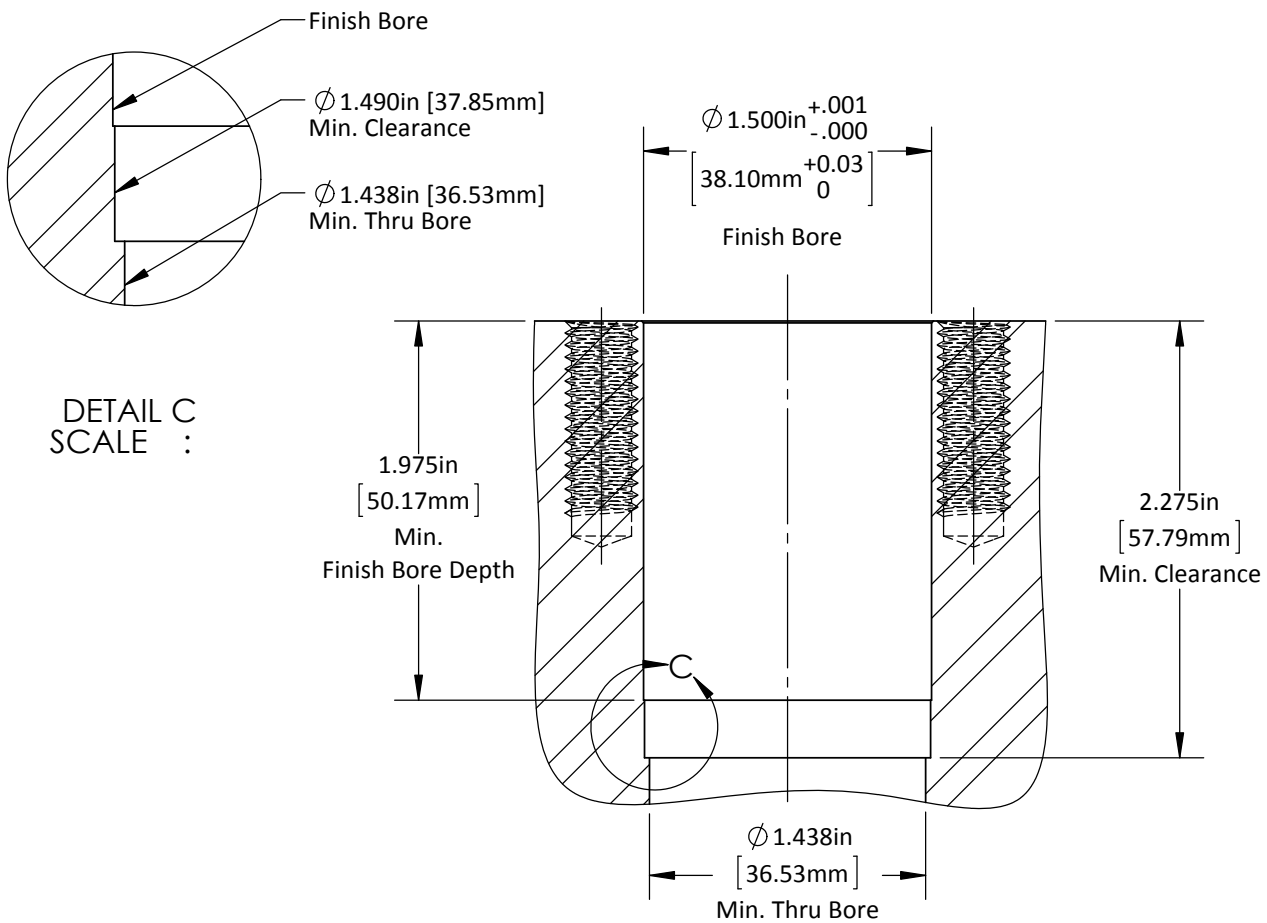
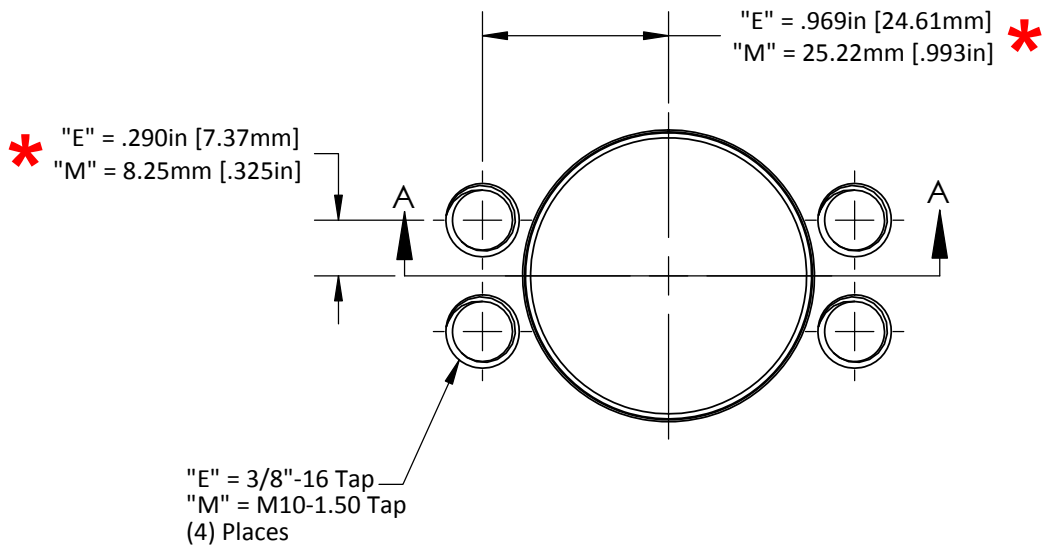
REV 1

This product may be covered by one or more patents or patent applications. See <http://www.standardlifters.com/patents.html> for details.

Base-GK95-L3

STANDARD LIFTERS INC

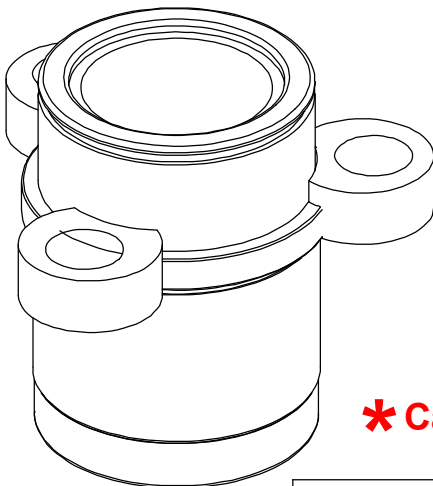
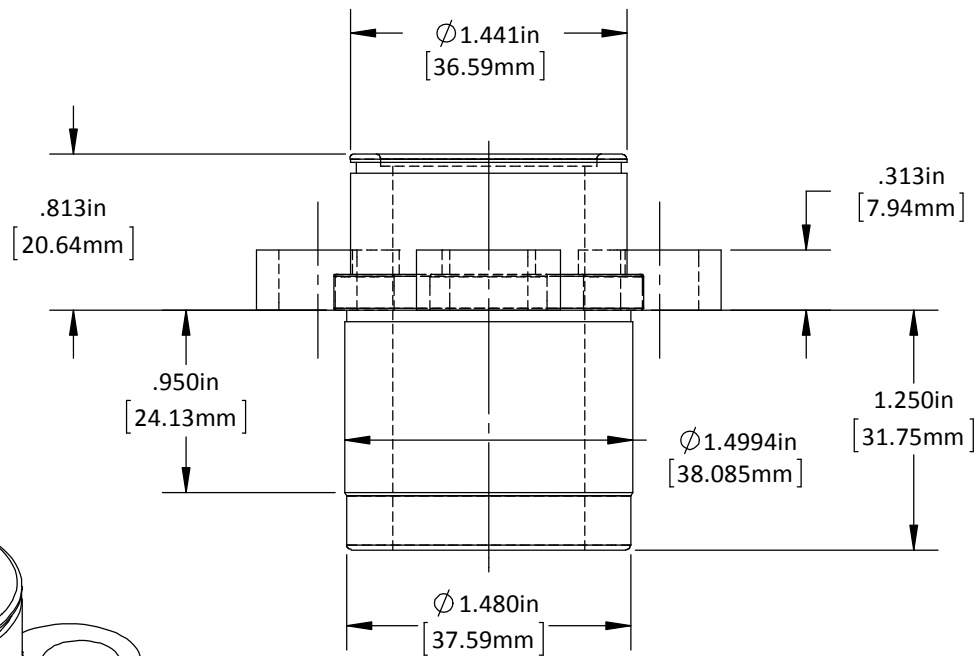
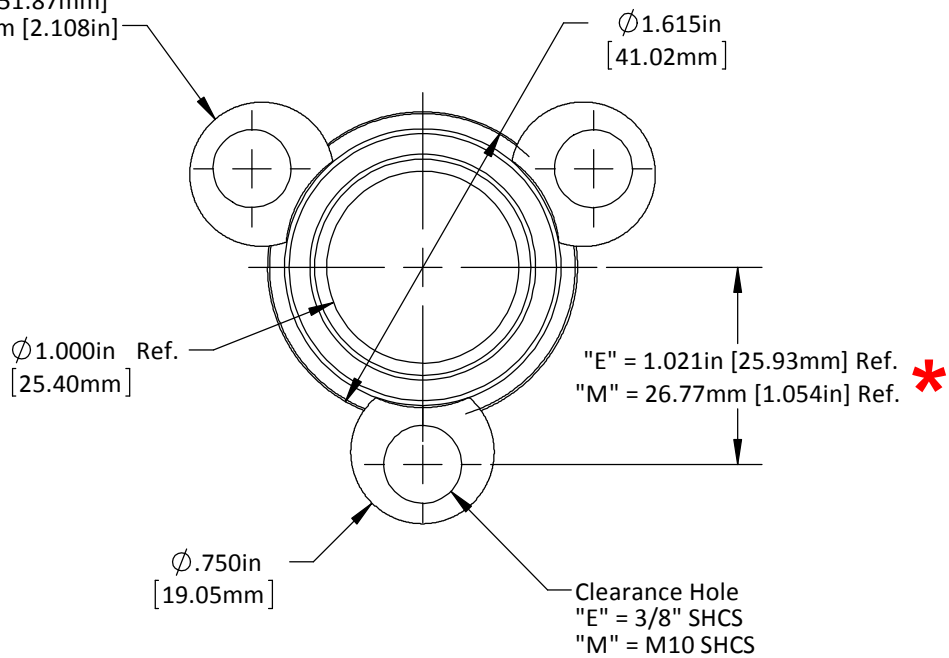
***Caution: English & Metric Hole Locations are NOT the Same!**



| | |
|--|-------|
| DO NOT SCALE DRAWING | REV 2 |
| This product may be covered by one or more patents or patent applications. See http://www.standardlifters.com/patents.html for details. | |

GK95-L3-Base-Machining
STANDARD LIFTERS INC

(3) Flange Clamps on Bolt Circle:
 * "E" = 2.042in [51.87mm]
 "M" = 53.54mm [2.108in]

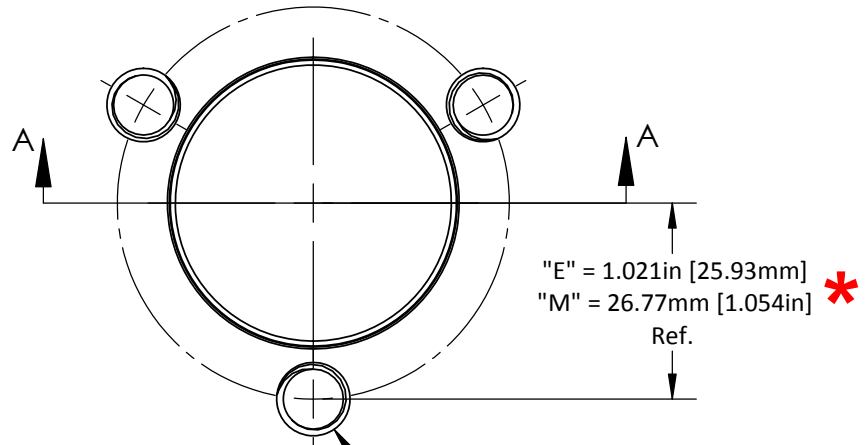


*** Caution: English & Metric Hole Locations are NOT the Same!**

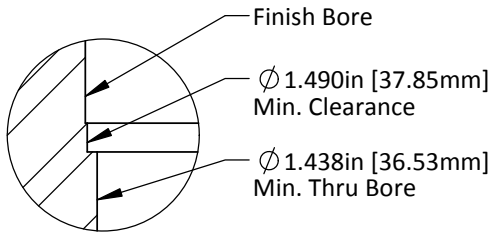
DO NOT SCALE DRAWING | REV 2
 This product may be covered by one or more patents or patent applications.
 See <http://www.standardlifters.com/patents.html> for details.

Base-GK95-H2
STANDARD LIFTERS INC

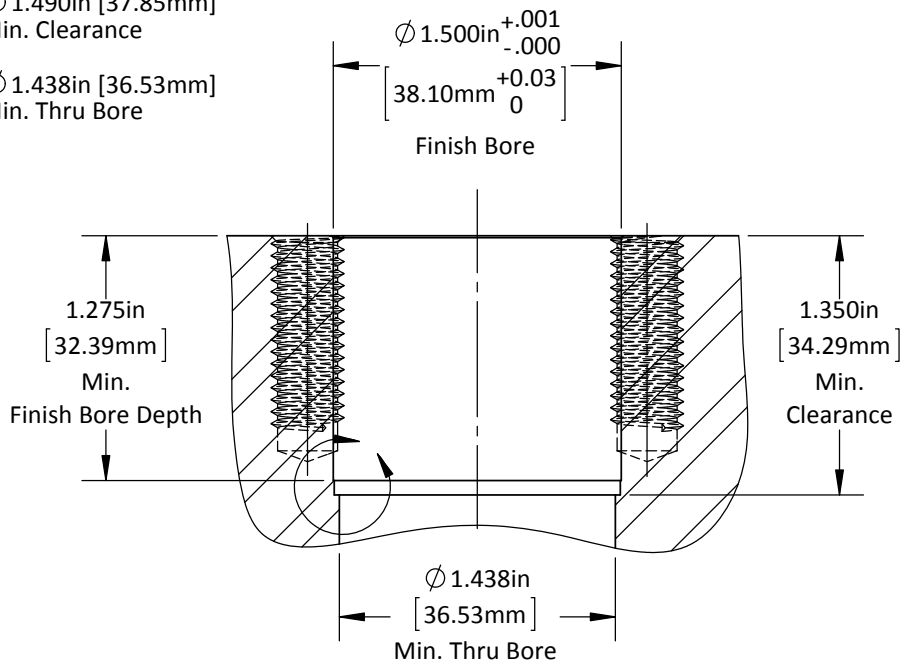
*** Caution: English & Metric Hole Locations are NOT the Same!**



"E" = 3/8"-16 Tap
 "M" = M10-1.50 Tap
 (3) Places on a Bolt Circle
 "E" = 2.042in [51.87mm] *

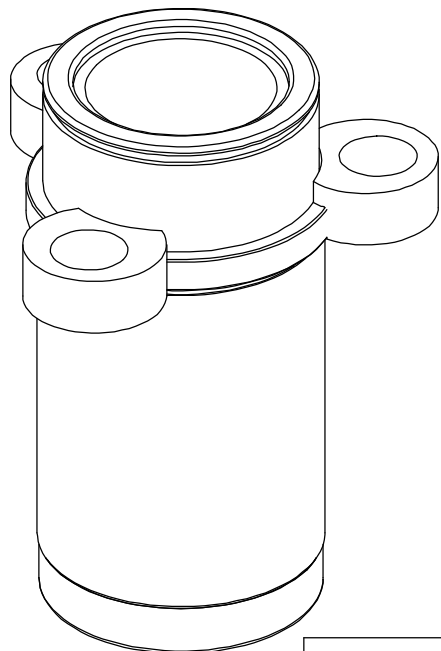
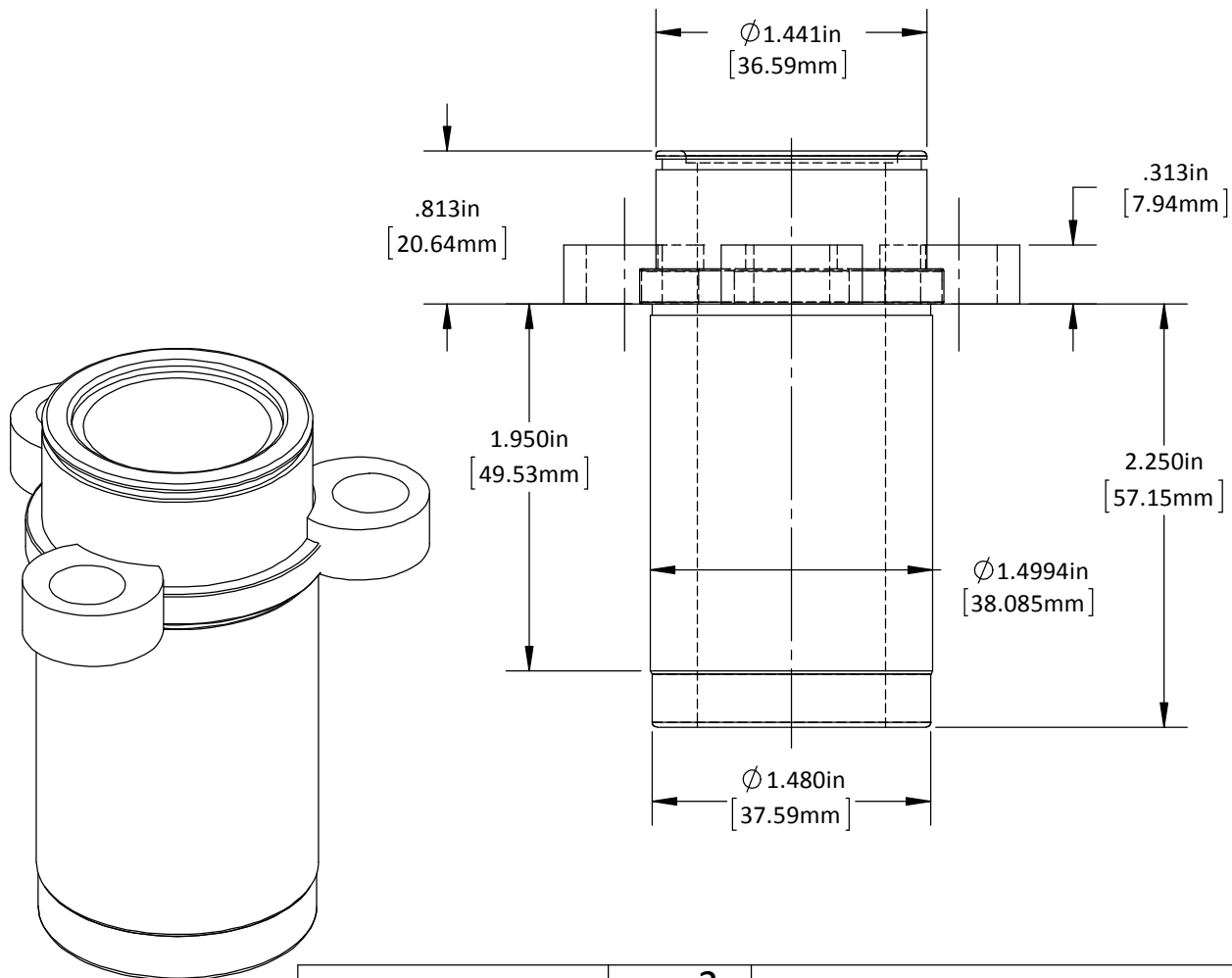
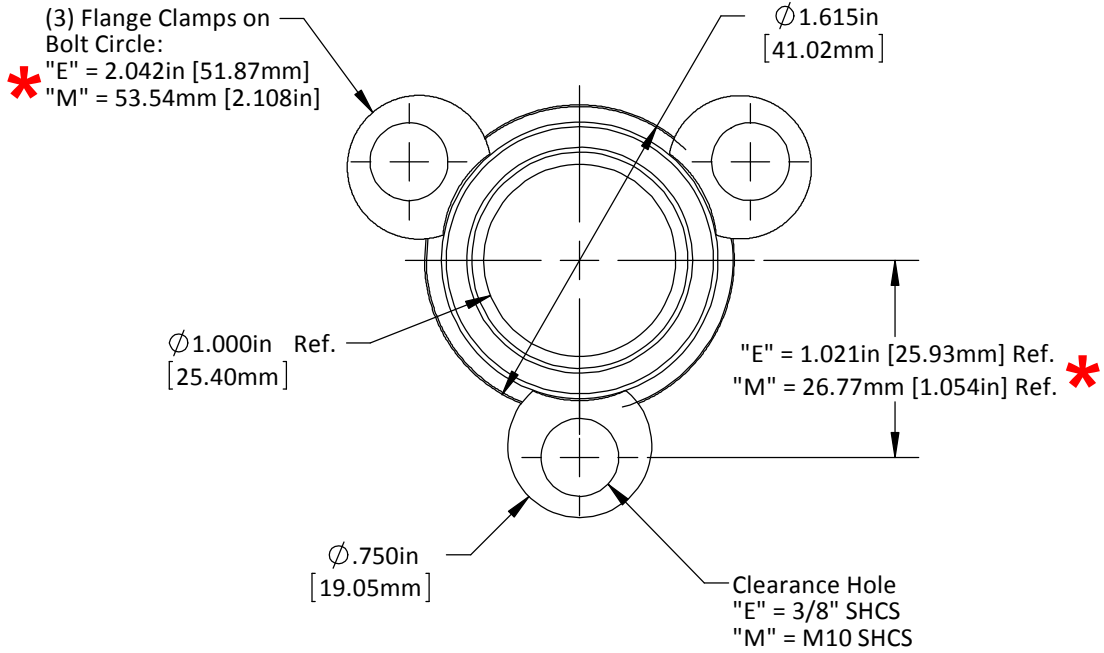


DETAIL SCALE :



| | | |
|--|-------|-------------------------------|
| DO NOT SCALE DRAWING | REV 2 | GK95-H2-Base-Machining |
| This product may be covered by one or more patents or patent applications. See http://www.standardlifters.com/patents.html for details. | | |

*** Caution: English & Metric Hole Locations are NOT the Same!**



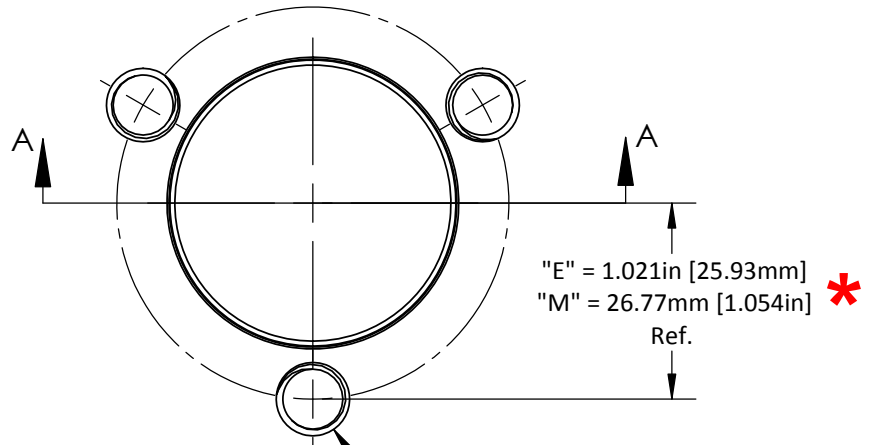
DO NOT SCALE DRAWING REV 2

This product may be covered by one or more patents or patent applications.
 See <http://www.standardlifters.com/patents.html> for details.

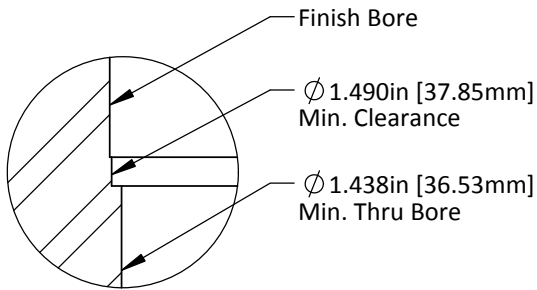
Base-GK95-H3

STANDARD LIFTERS INC

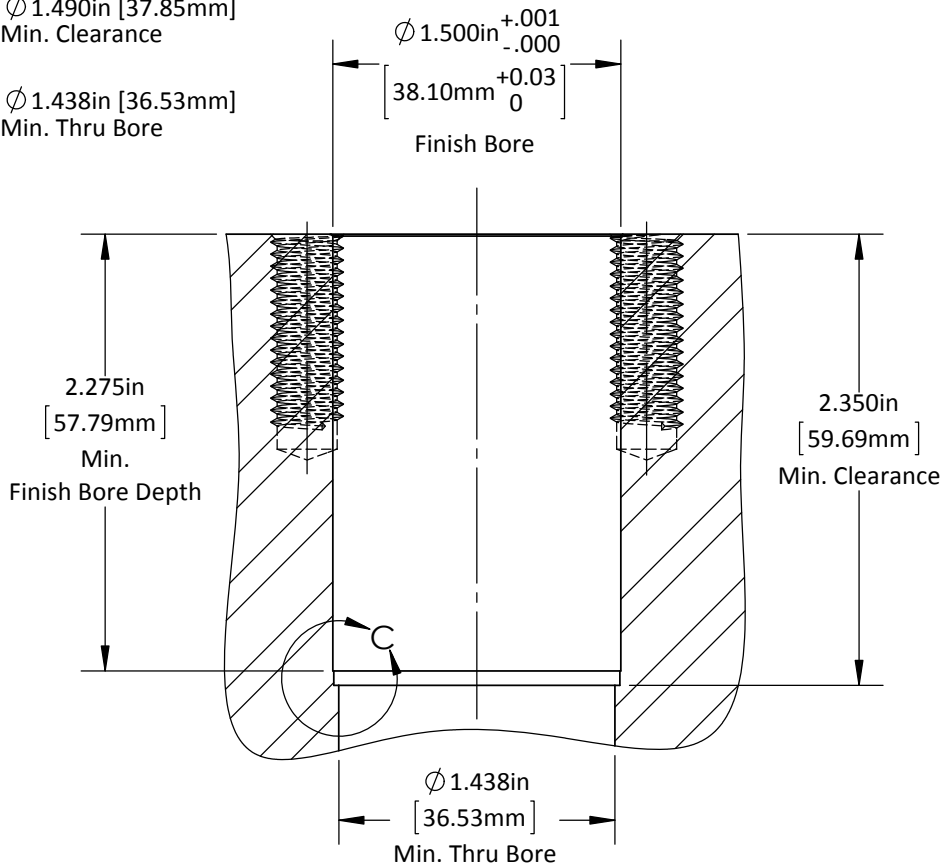
*** Caution: English & Metric Hole Locations are NOT the Same!**



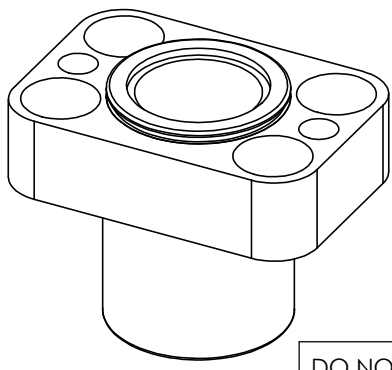
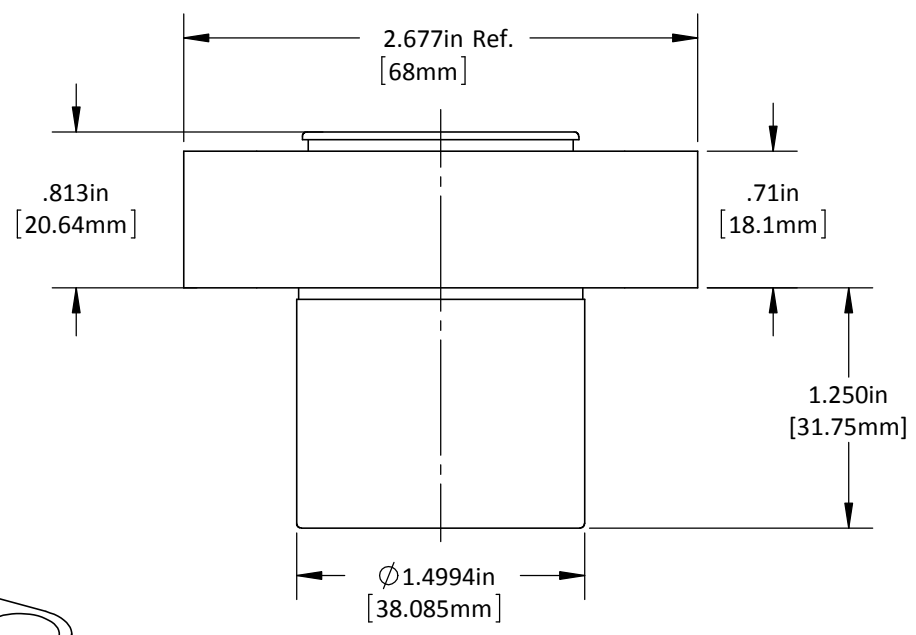
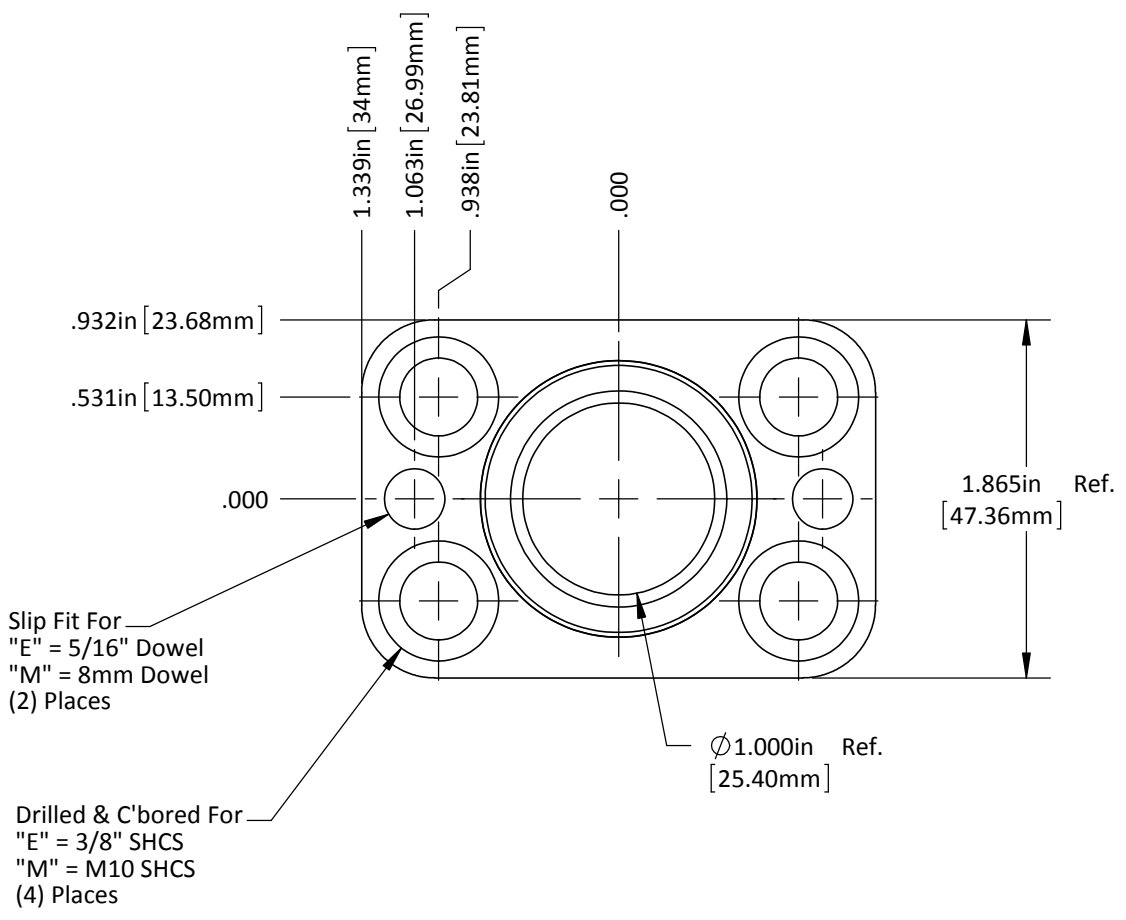
"E" = 3/8"-16 Tap
 "M" = M10-1.50 Tap
 * (3) Places on a Bolt Circle
 "E" = 2.042in [51.87mm]
 "M" = 53.54mm [2.108in]



DETAIL C
 SCALE :



| | | |
|--|-------|--|
| DO NOT SCALE DRAWING | REV 2 | GK95-H3-Base-Machining STANDARD LIFTERS INC |
| This product may be covered by one or more patents or patent applications. See http://www.standardlifters.com/patents.html for details. | | |

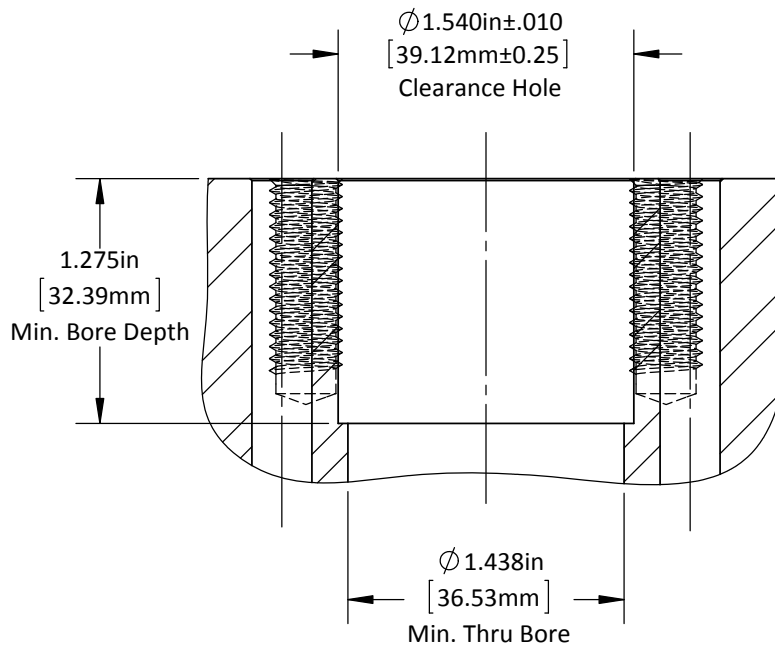
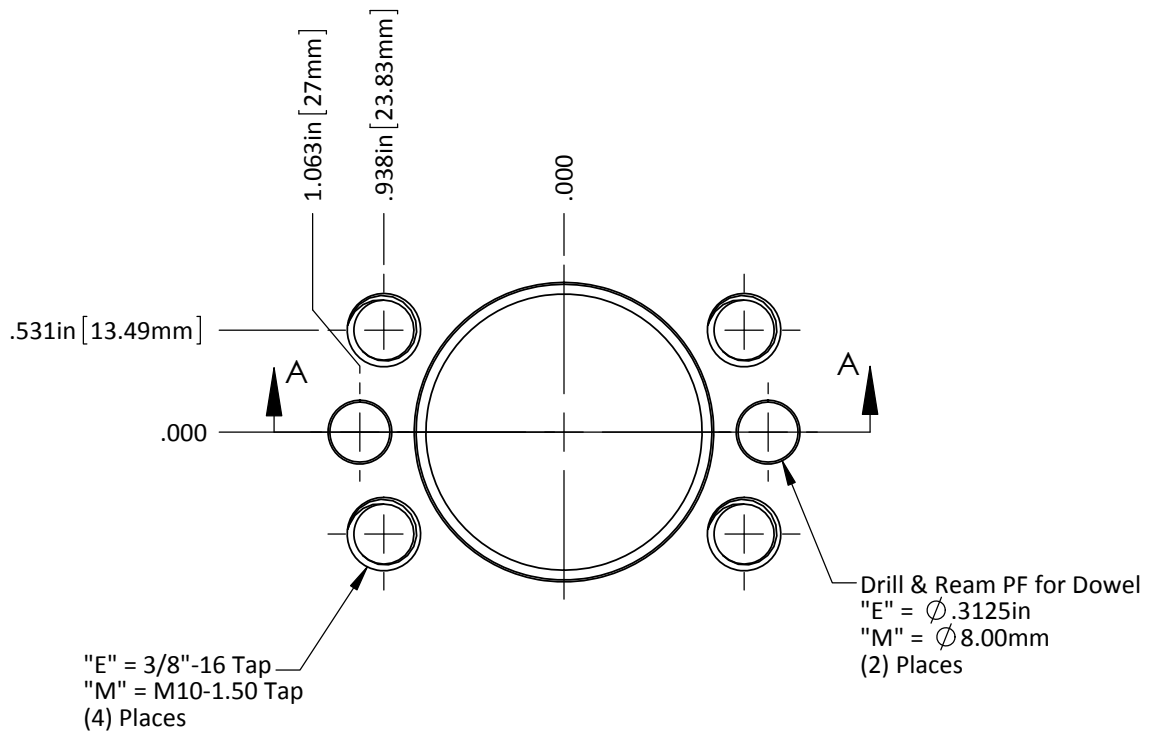


DO NOT SCALE DRAWING REV 1

This product may be covered by one or more patents or patent applications.
 See <http://www.standardlifters.com/patents.html> for details.

Base-GK95-D2

STANDARD LIFTERS INC



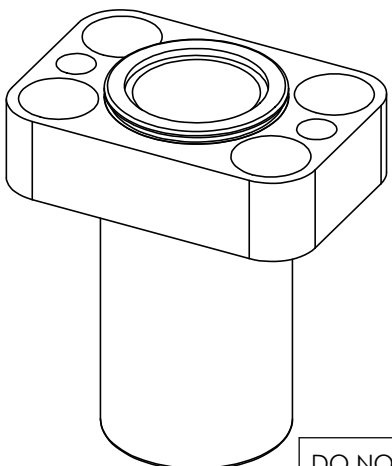
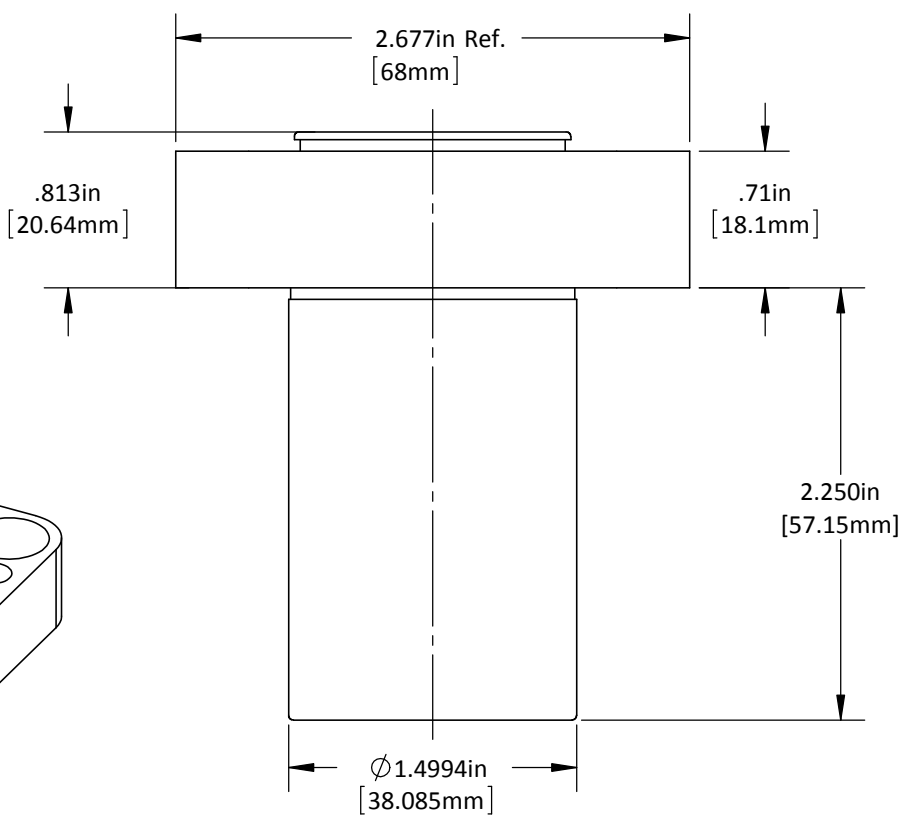
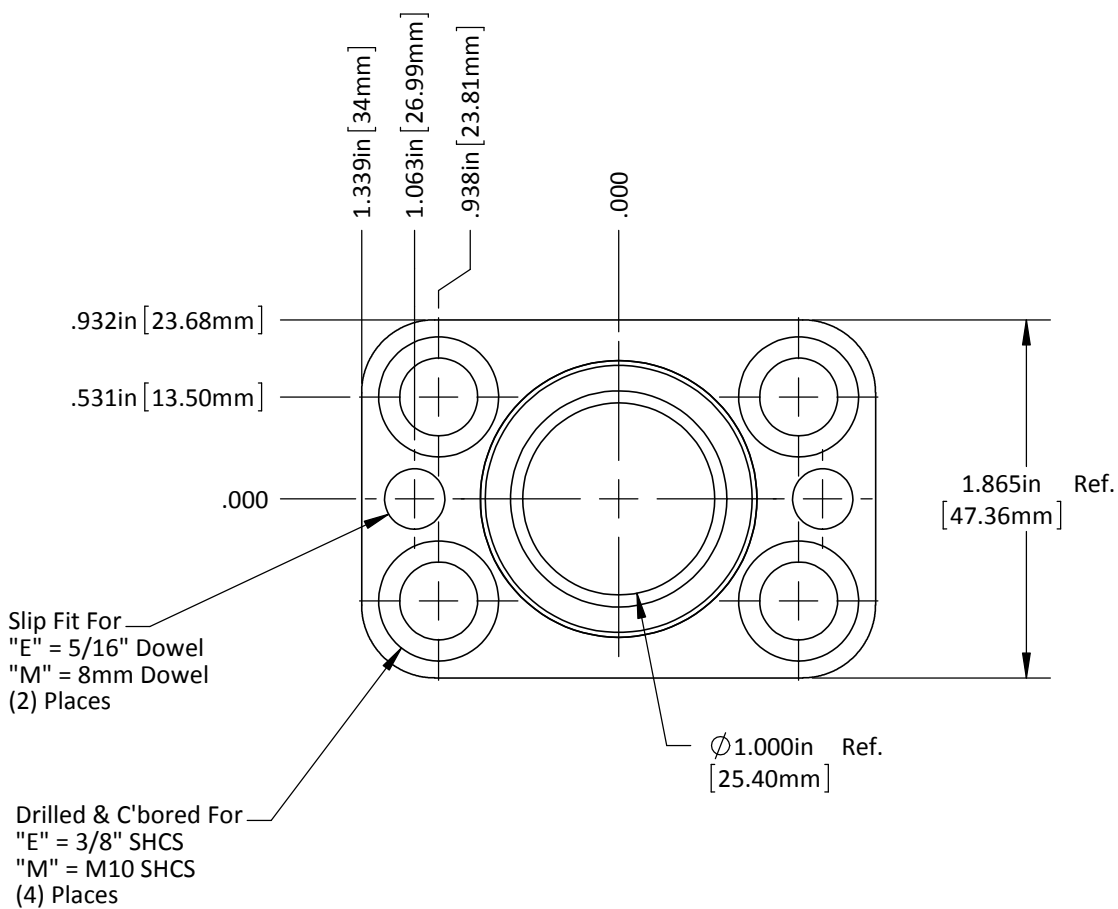
DO NOT SCALE DRAWING

REV 2

This product may be covered by one or more patents or
 patent applications.
 See <http://www.standardlifters.com/patents.html> for details.

GK95-D2-Base-Machining

STANDARD LIFTERS INC

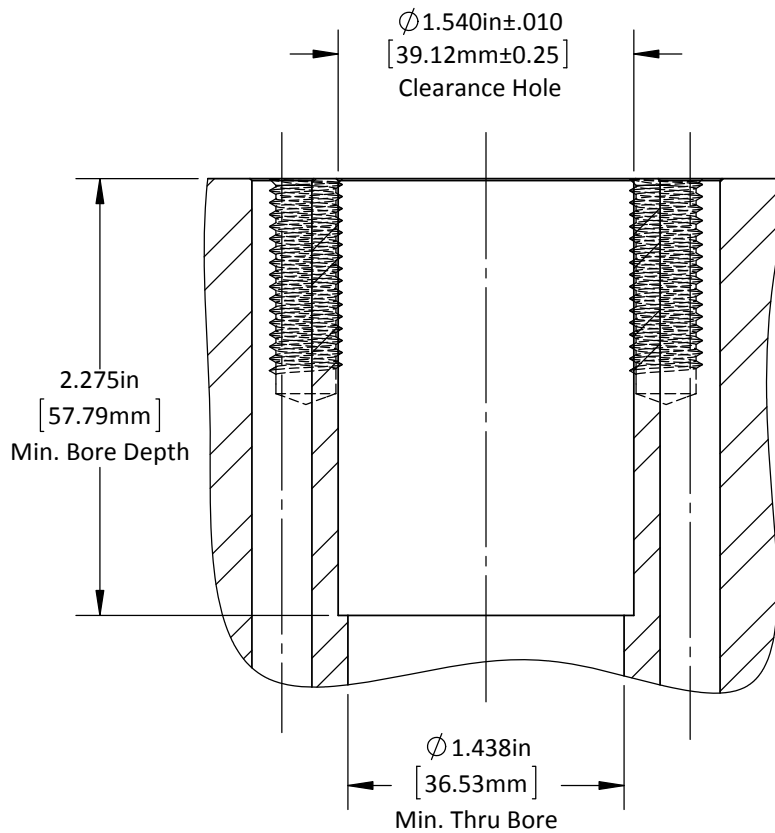
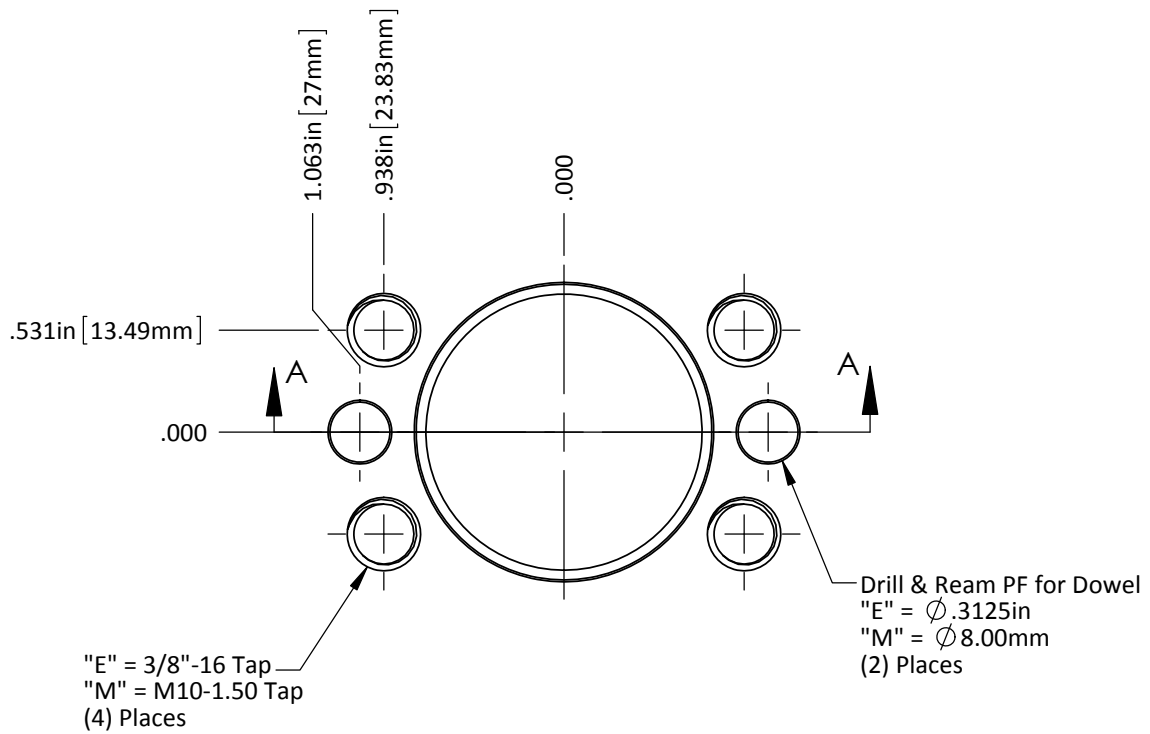


DO NOT SCALE DRAWING REV 1

This product may be covered by one or more patents or patent applications.
See <http://www.standardlifters.com/patents.html> for details.

Base-GK95-D3

STANDARD LIFTERS INC



DO NOT SCALE DRAWING

REV 2

This product may be covered by one or more patents or patent applications. See <http://www.standardlifters.com/patents.html> for details.

GK95-D3-Base-Machining

STANDARD LIFTERS INC