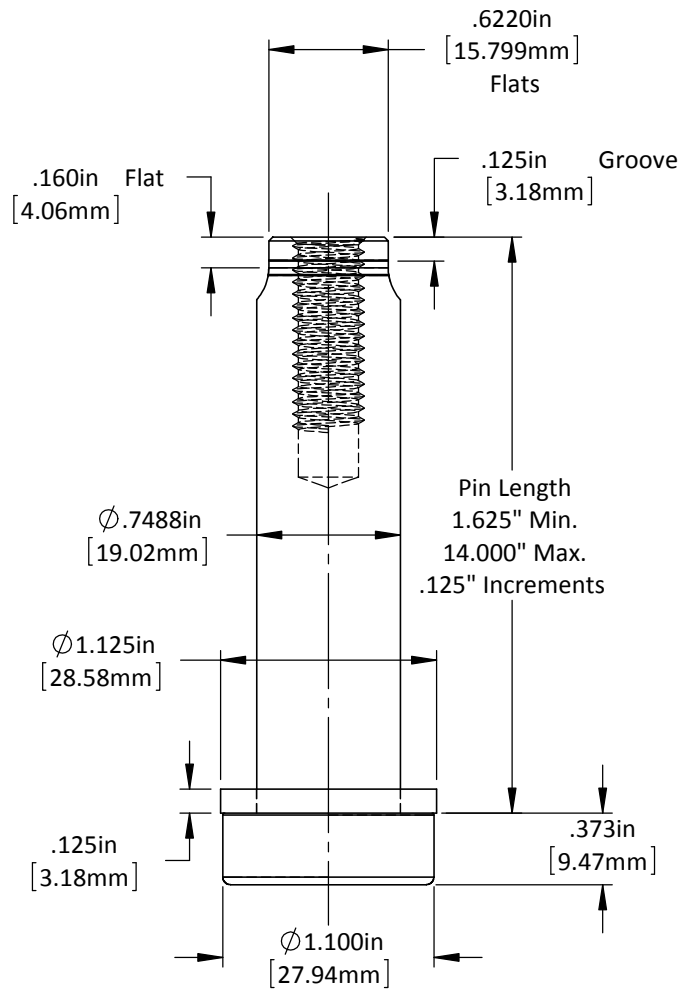
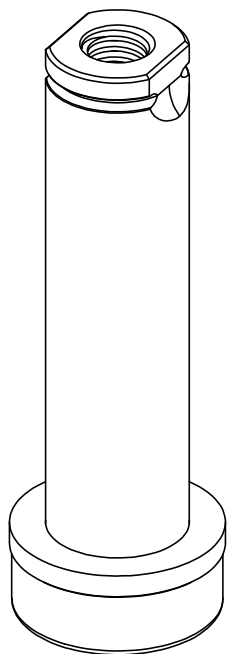


"E" = 3/8-16 Tap
1.00in Dp.

"M" = M10-1.5 Tap
25mm Dp.



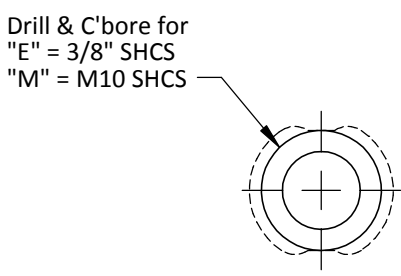
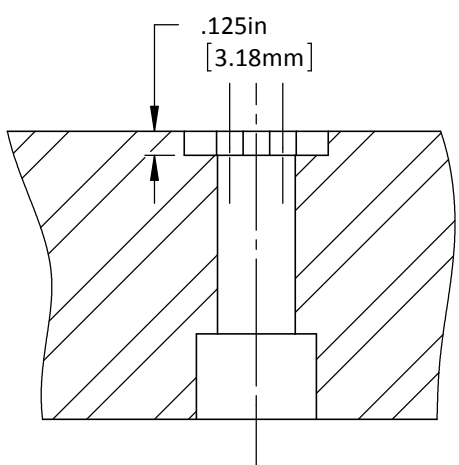
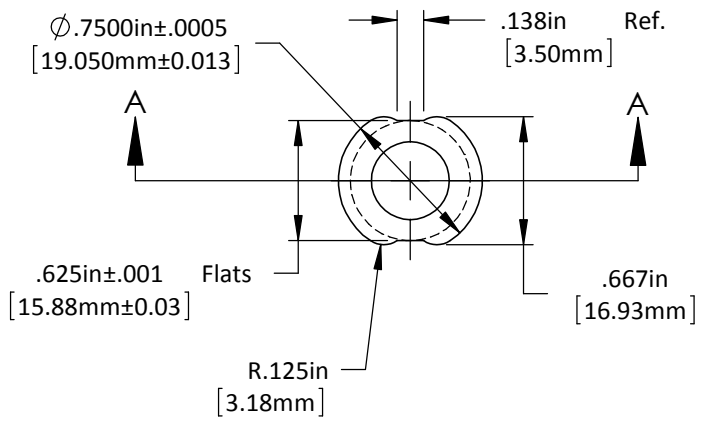
DO NOT SCALE DRAWING

REV 1

This product may be covered by one or more patents or patent applications.
See <http://www.standardlifters.com/patents.html> for details.

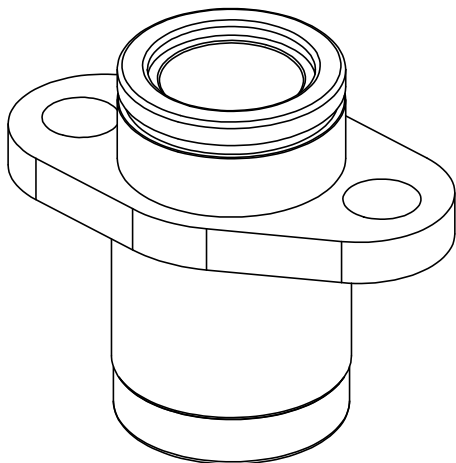
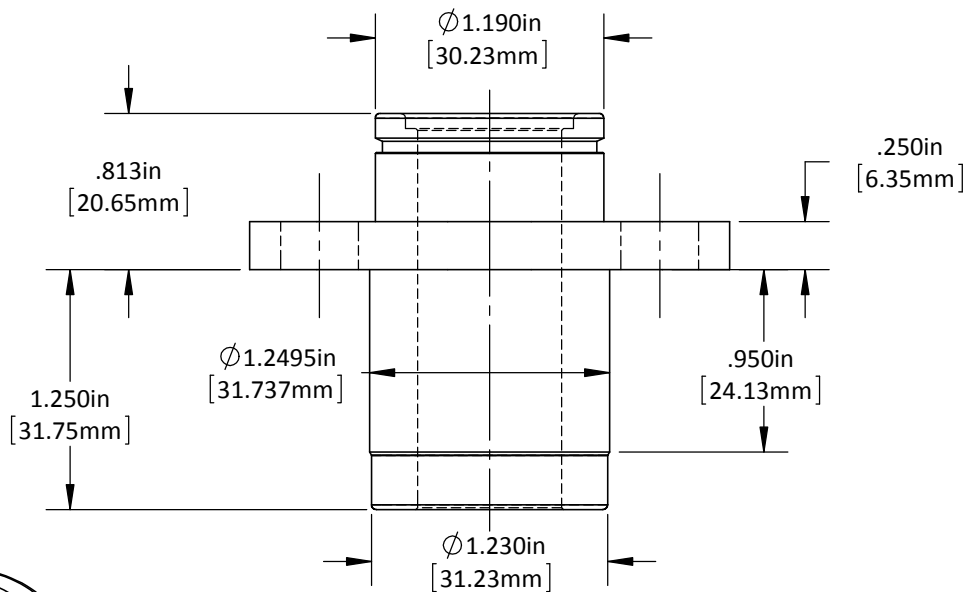
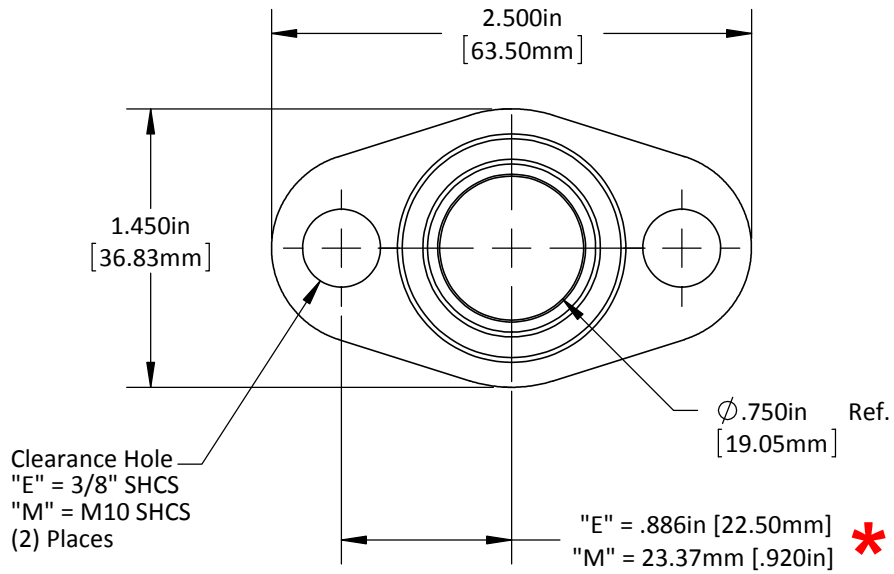
Guide Pin GK75

STANDARD LIFTERS INC



DO NOT SCALE DRAWING	REV 1	Guide Pin GK75-Machining STANDARD LIFTERS INC
This product may be covered by one or more patents or patent applications. See http://www.standardlifters.com/patents.html for details.		

***Caution: English & Metric Hole Locations are NOT the Same!**



DO NOT SCALE DRAWING

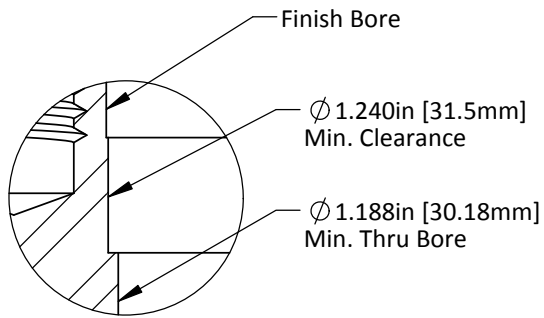
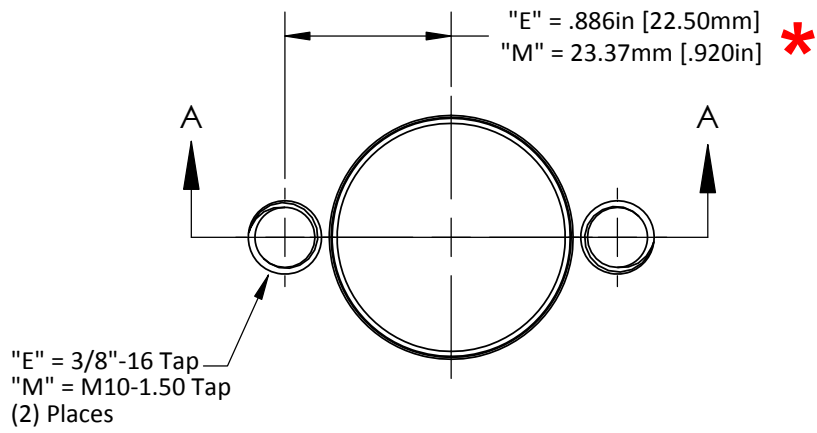
REV 1

This product may be covered by one or more patents or patent applications.
See <http://www.standardlifters.com/patents.html> for details.

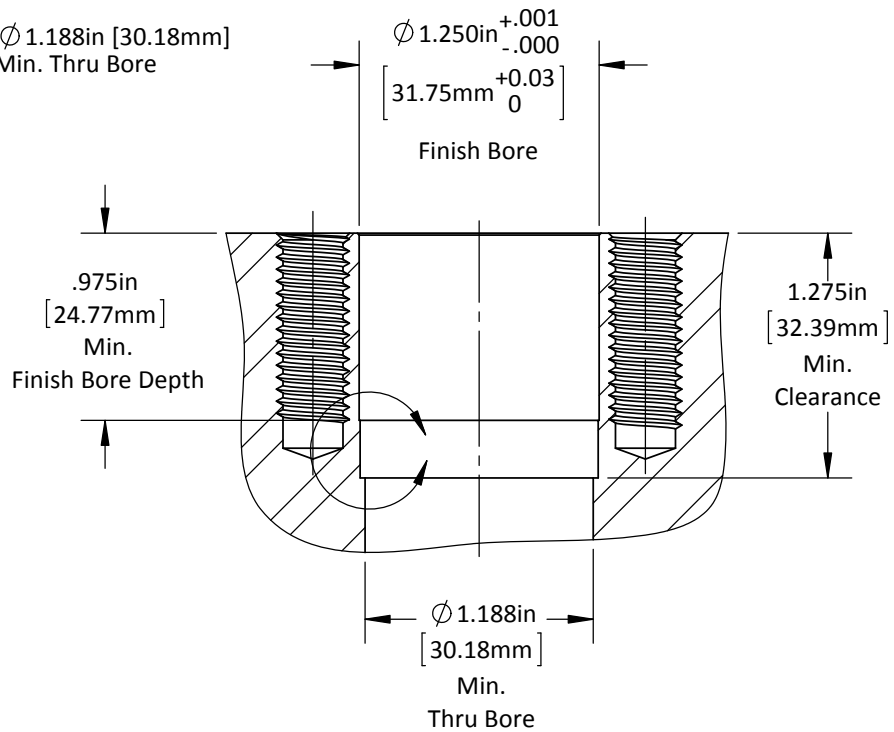
Base-GK75-L2

STANDARD LIFTERS INC

***Caution: English & Metric Hole Locations are NOT the Same!**



DETAIL
 SCALE :



DO NOT SCALE DRAWING

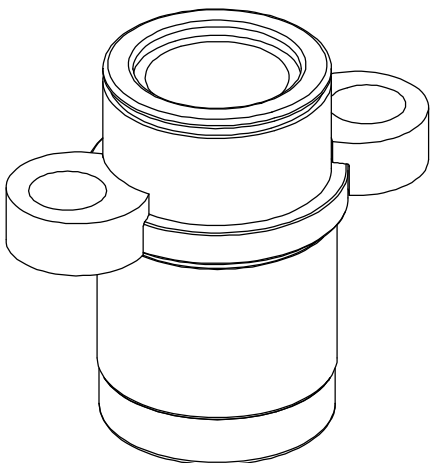
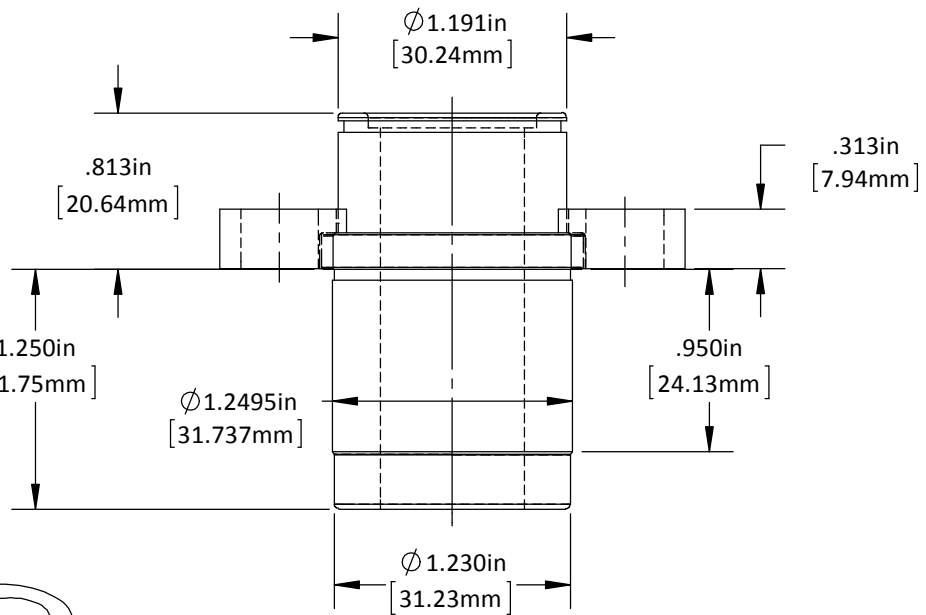
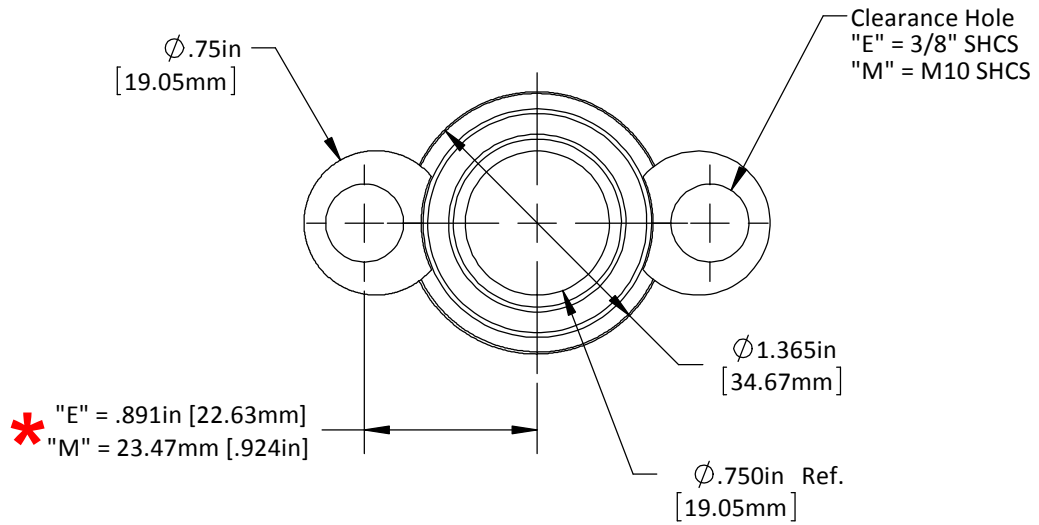
REV 2

This product may be covered by one or more patents or patent applications.
 See <http://www.standardlifters.com/patents.html> for details.

GK75-L2-Base Machining

STANDARD LIFTERS INC

*** Caution: English & Metric Hole Locations are NOT the Same!**



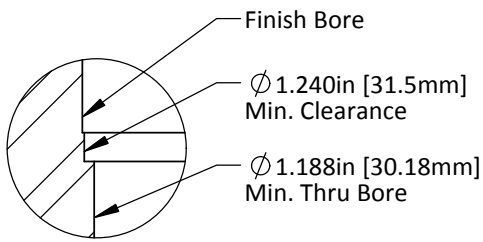
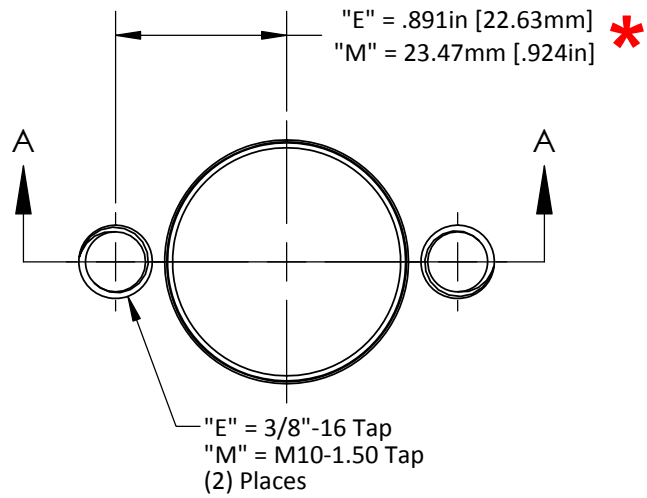
DO NOT SCALE DRAWING REV 2

This product may be covered by one or more patents or patent applications.
 See <http://www.standardlifters.com/patents.html> for details.

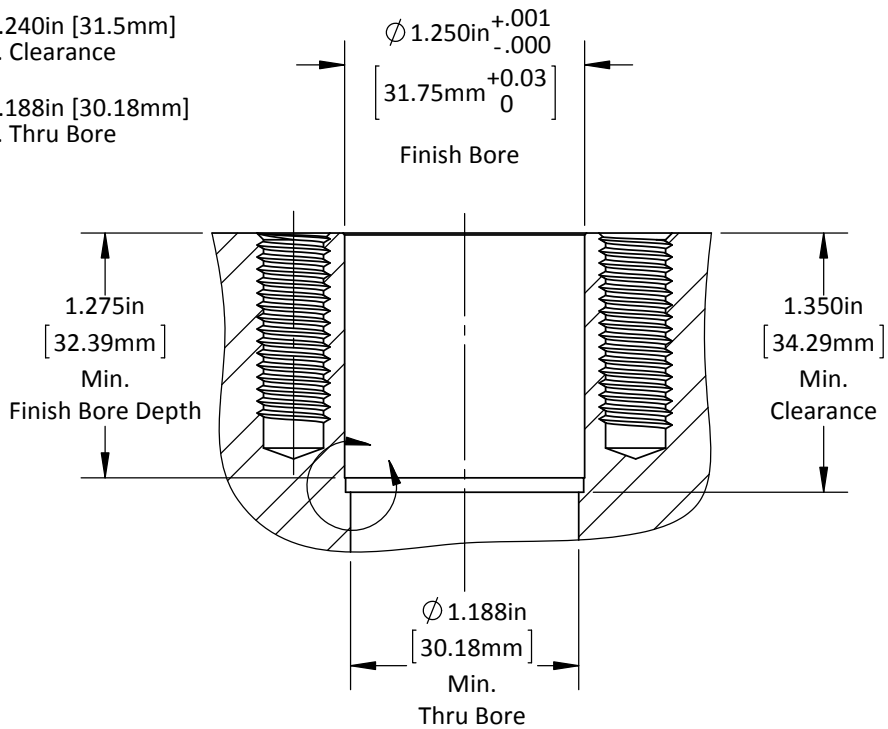
Base-GK75-H2

STANDARD LIFTERS INC

*** Caution: English & Metric Hole Locations are NOT the Same!**



DETAIL SCALE :



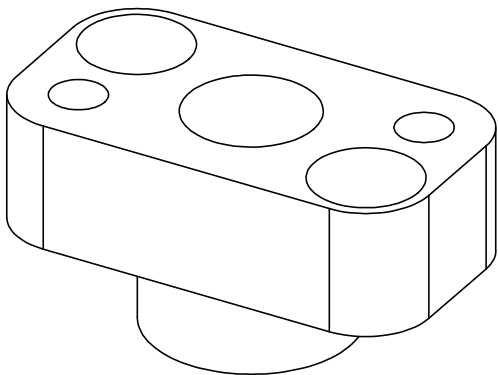
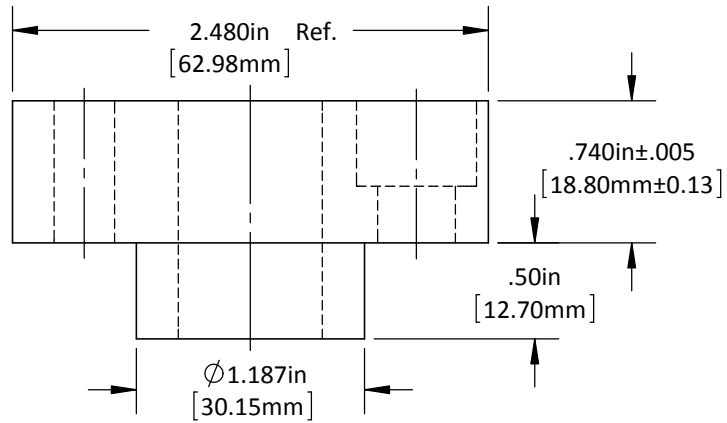
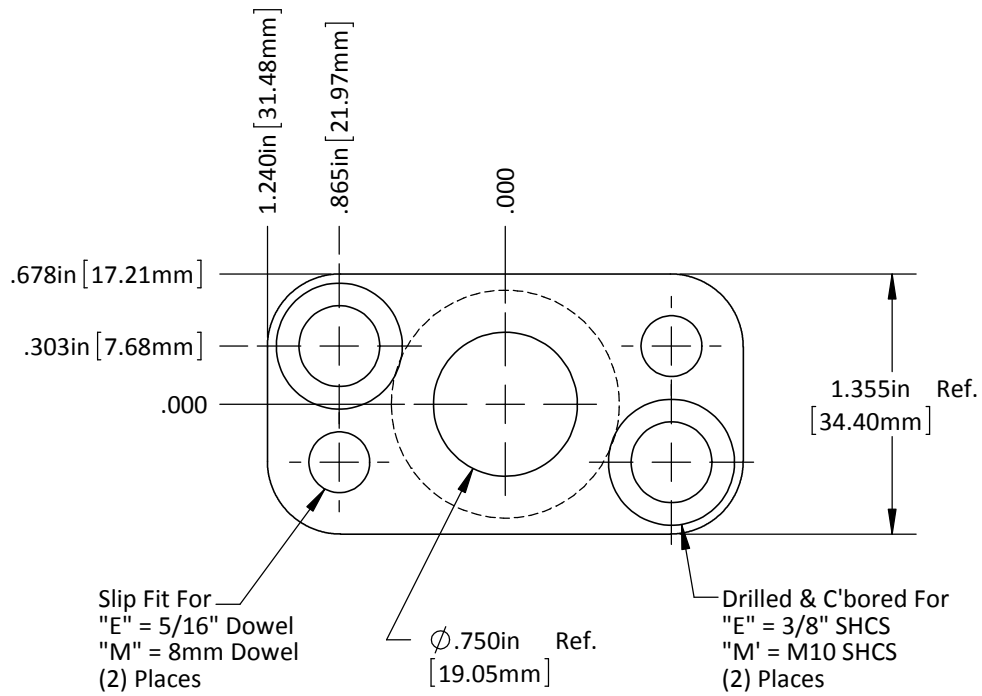
DO NOT SCALE DRAWING

REV 2

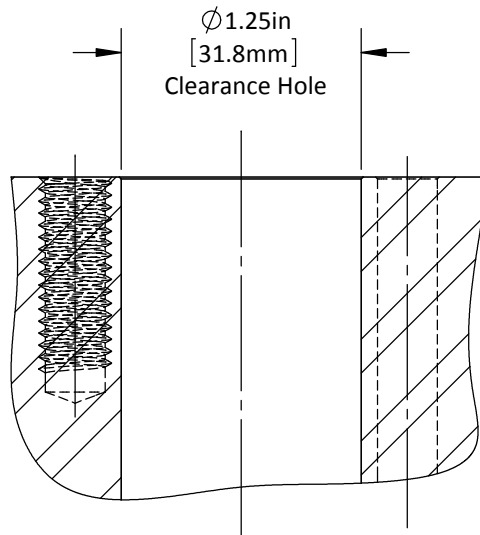
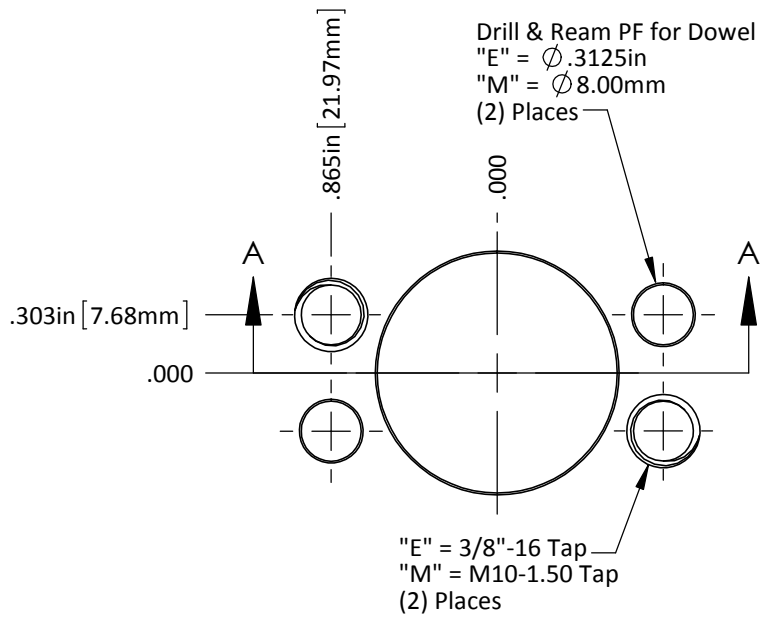
This product may be covered by one or more patents or patent applications.
See <http://www.standardlifters.com/patents.html> for details.

GK75-H2-Base Machining

STANDARD LIFTERS INC

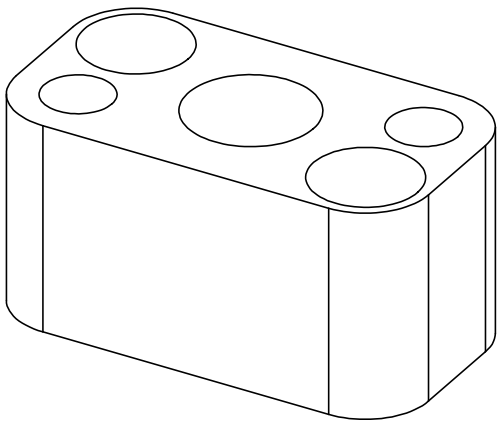
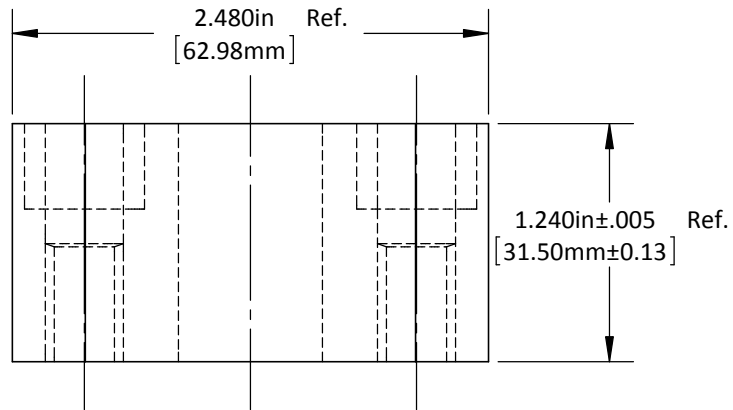
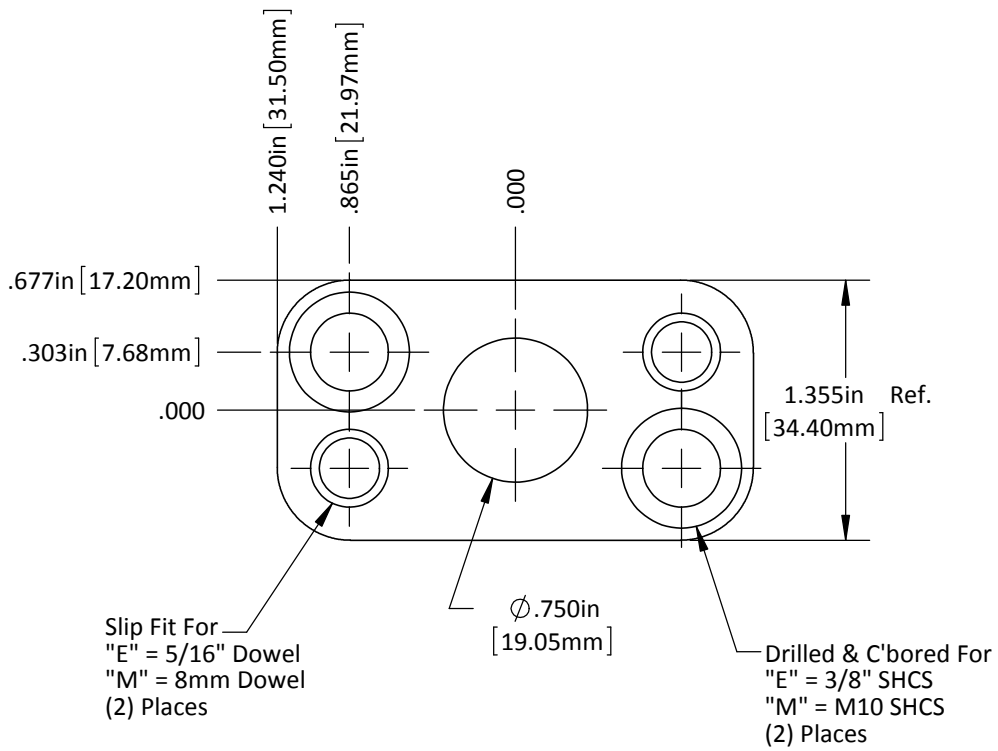


DO NOT SCALE DRAWING	REV 1	Base-GK75-A STANDARD LIFTERS INC
This product may be covered by one or more patents or patent applications. See http://www.standardlifters.com/patents.html for details.		



DO NOT SCALE DRAWING	REV 1
This product may be covered by one or more patents or patent applications. See http://www.standardlifters.com/patents.html for details.	

GK75-A-Base Machining
STANDARD LIFTERS INC

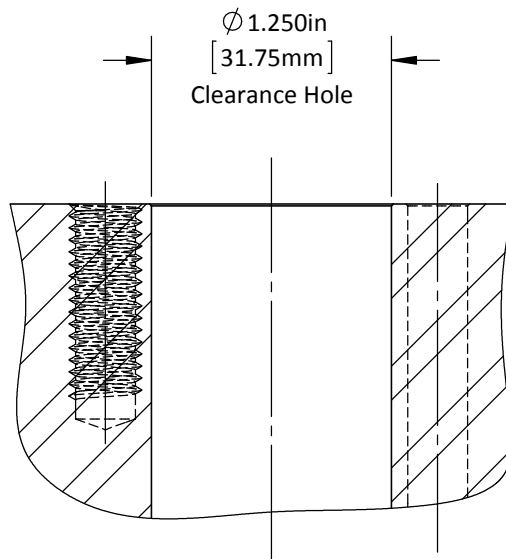
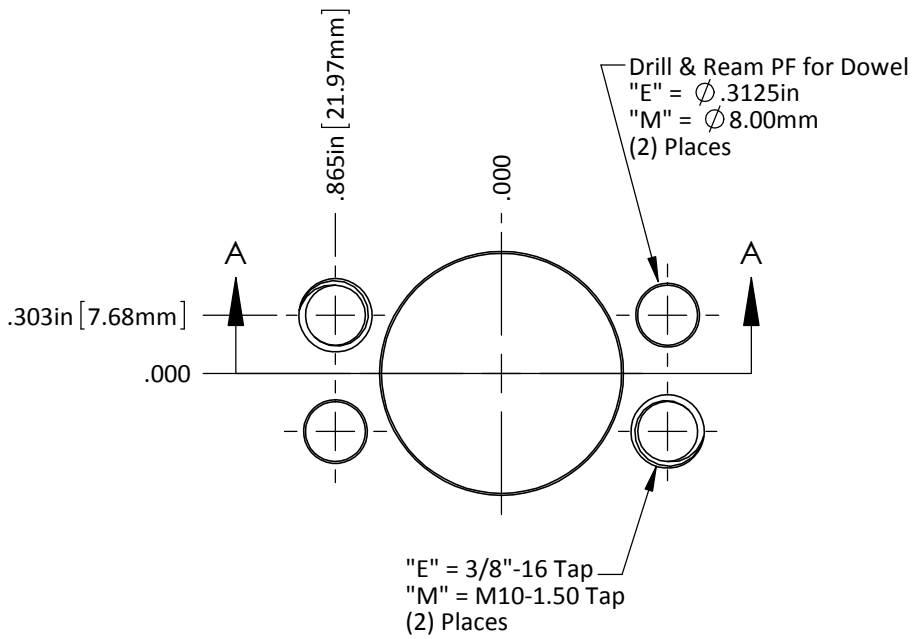


DO NOT SCALE DRAWING REV 1

This product may be covered by one or more patents or patent applications.
See <http://www.standardlifters.com/patents.html> for details.

Base-GK75-B

STANDARD LIFTERS INC



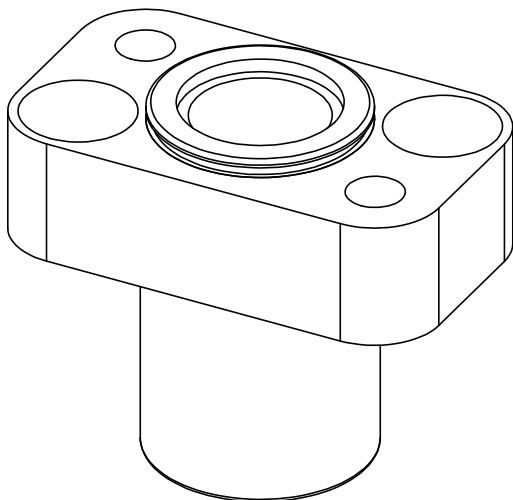
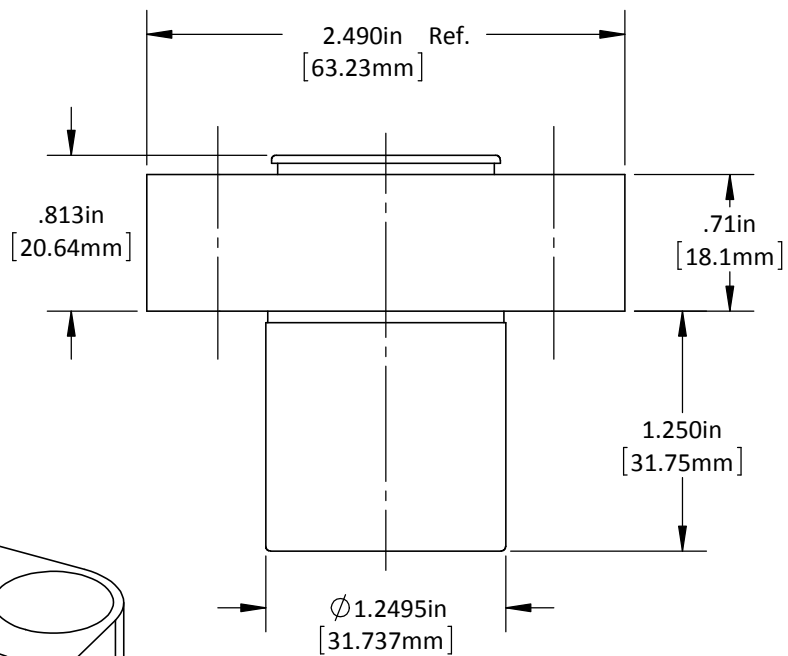
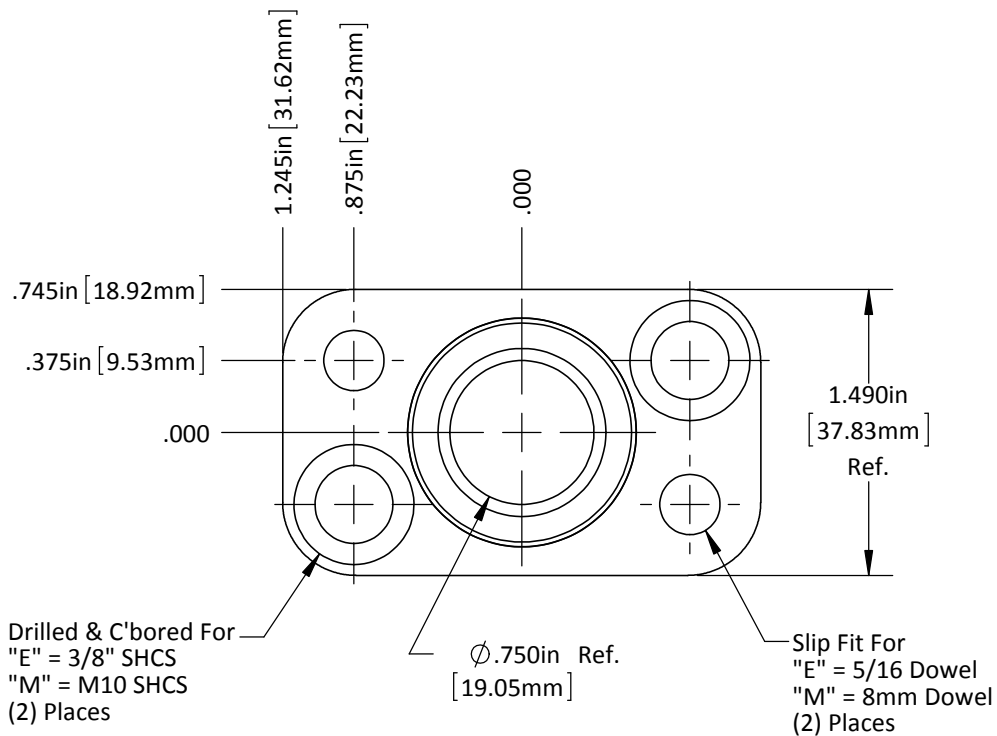
DO NOT SCALE DRAWING

REV 1

This product may be covered by one or more patents or
 patent applications.
 See <http://www.standardlifters.com/patents.html> for details.

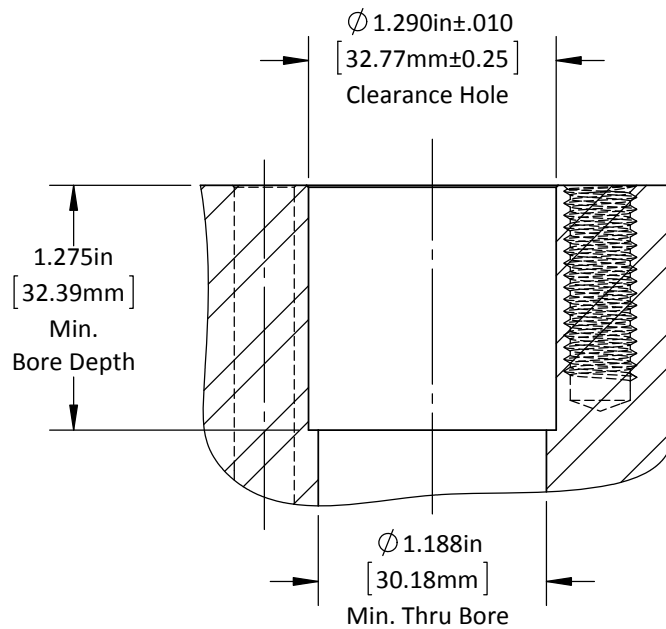
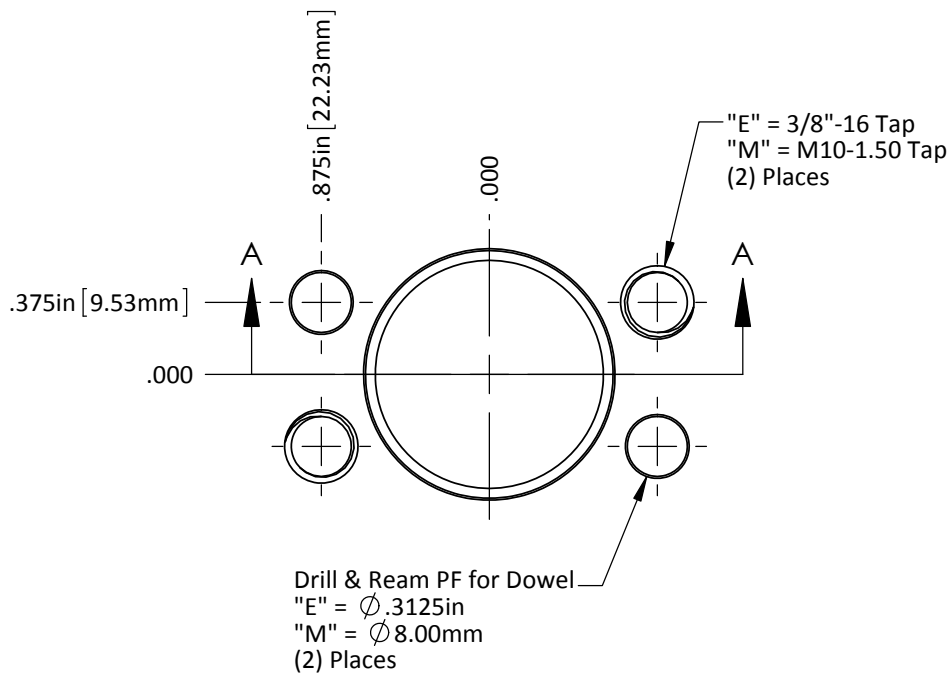
GK75-B-Base Machining

STANDARD LIFTERS INC



DO NOT SCALE DRAWING REV 1
 This product may be covered by one or more patents or patent applications.
 See <http://www.standardlifters.com/patents.html> for details.

Base-GK75-D2
STANDARD LIFTERS INC



DO NOT SCALE DRAWING REV 2

This product may be covered by one or more patents or patent applications.
 See <http://www.standardlifters.com/patents.html> for details.

GK75-D2-Base Machining

STANDARD LIFTERS INC