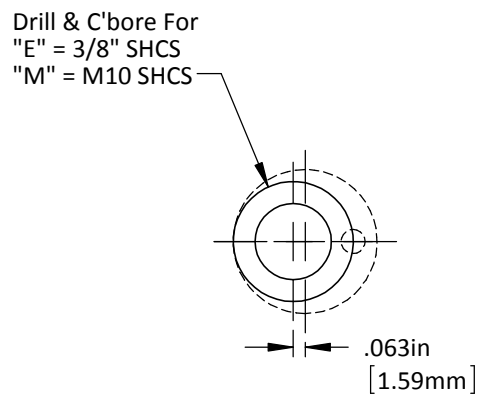
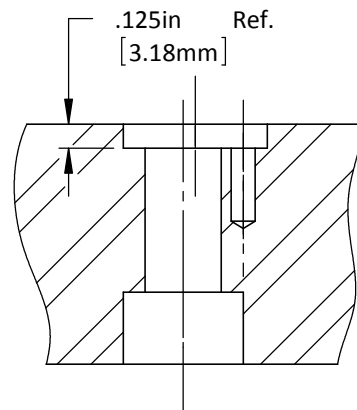
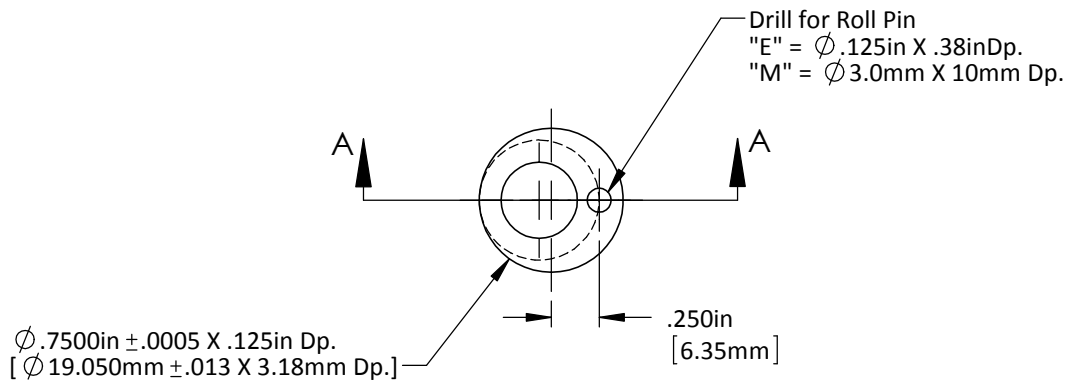


DO NOT SCALE DRAWING    REV 1

This product may be covered by one or more patents or patent applications.  
See <http://www.standardlifters.com/patents.html> for details.

**Guide Pin GK70**

**STANDARD LIFTERS INC**



DO NOT SCALE DRAWING

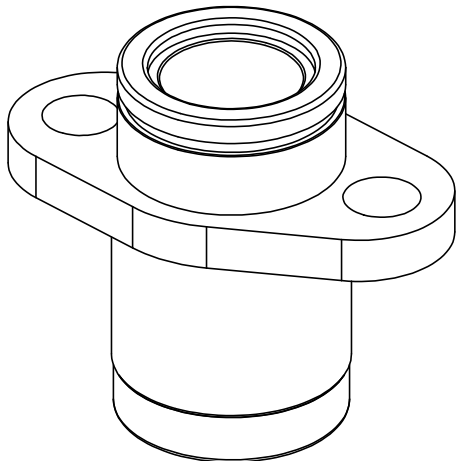
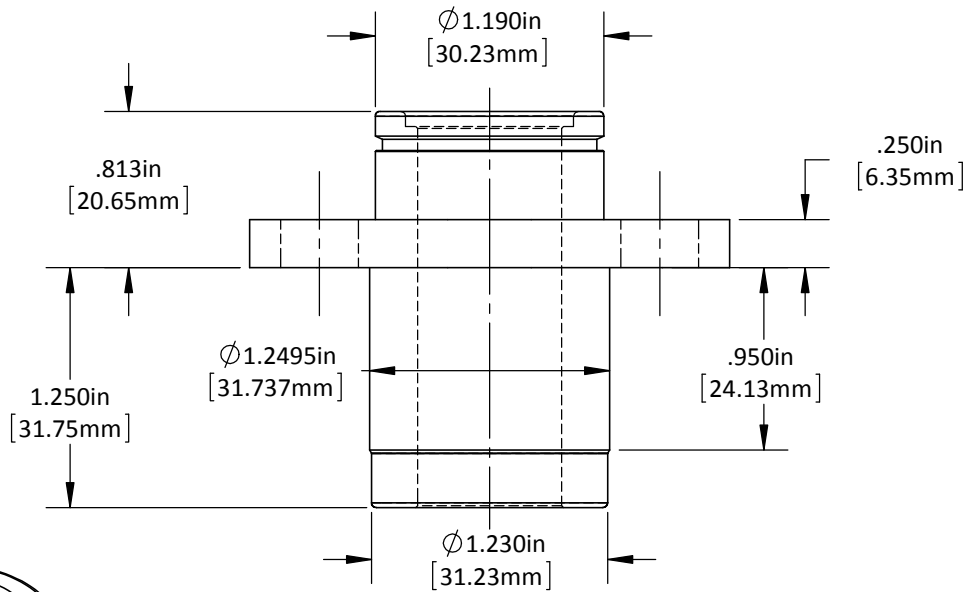
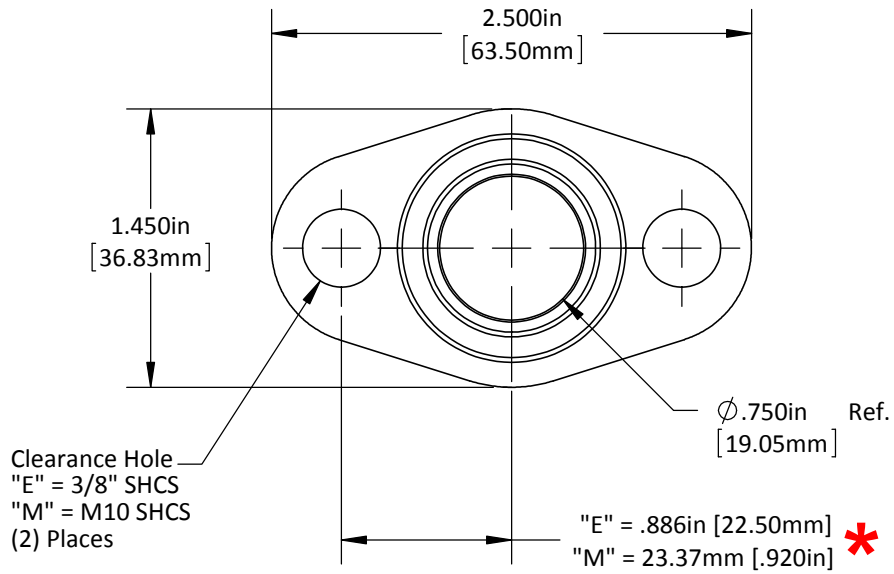
REV 1

This product may be covered by one or more patents or patent applications.  
 See <http://www.standardlifters.com/patents.html> for details.

**Guide Pin GK70-Machining**

**STANDARD LIFTERS INC**

**\* Caution: English & Metric Hole Locations are NOT the Same!**



DO NOT SCALE DRAWING

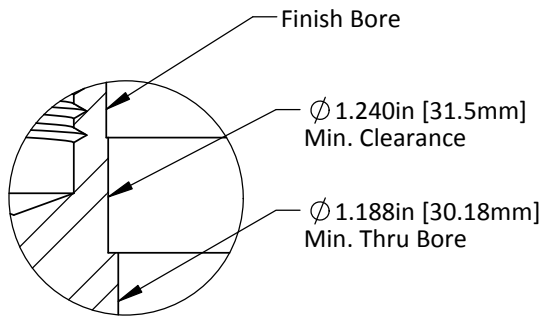
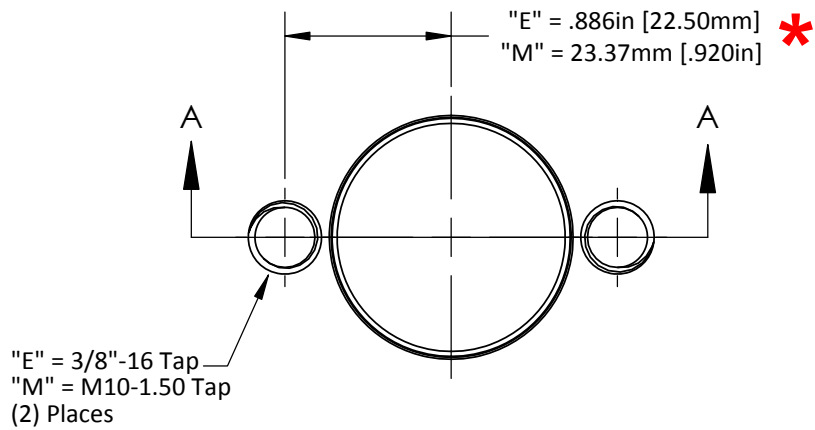
REV 1

This product may be covered by one or more patents or patent applications.  
See <http://www.standardlifters.com/patents.html> for details.

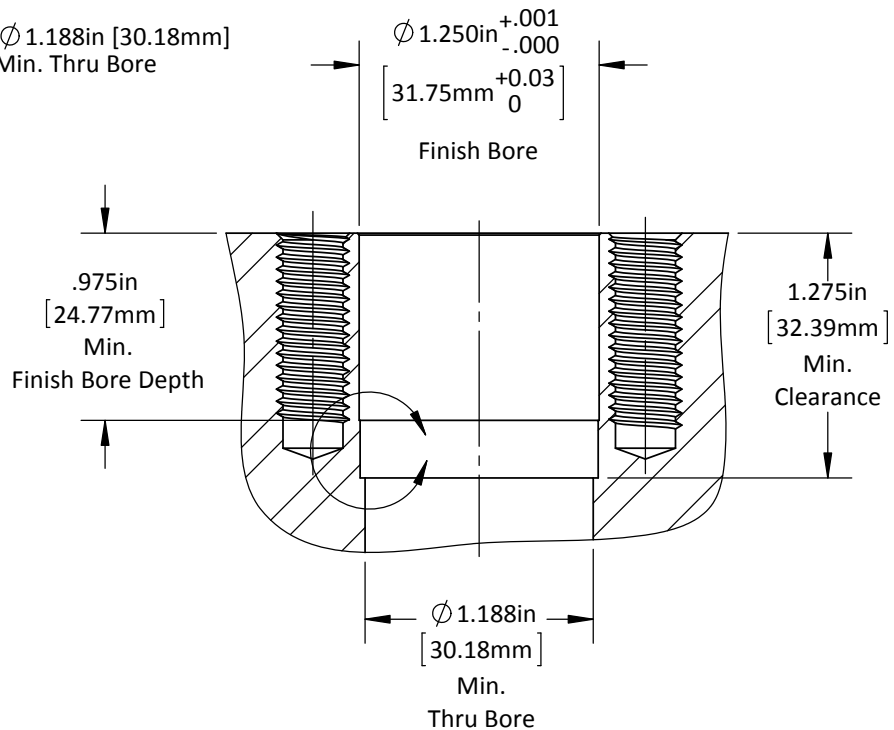
**Base-GK70-L2**

**STANDARD LIFTERS INC**

**\* Caution: English & Metric Hole Locations are NOT the Same! \***



DETAIL  
SCALE :

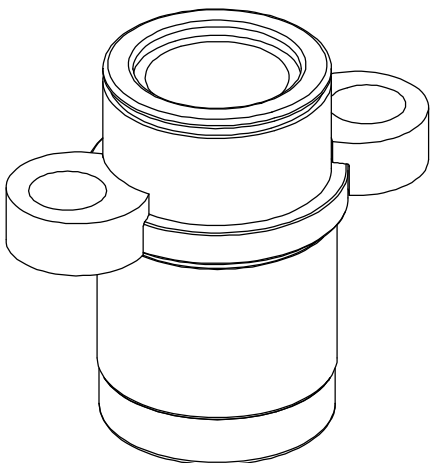
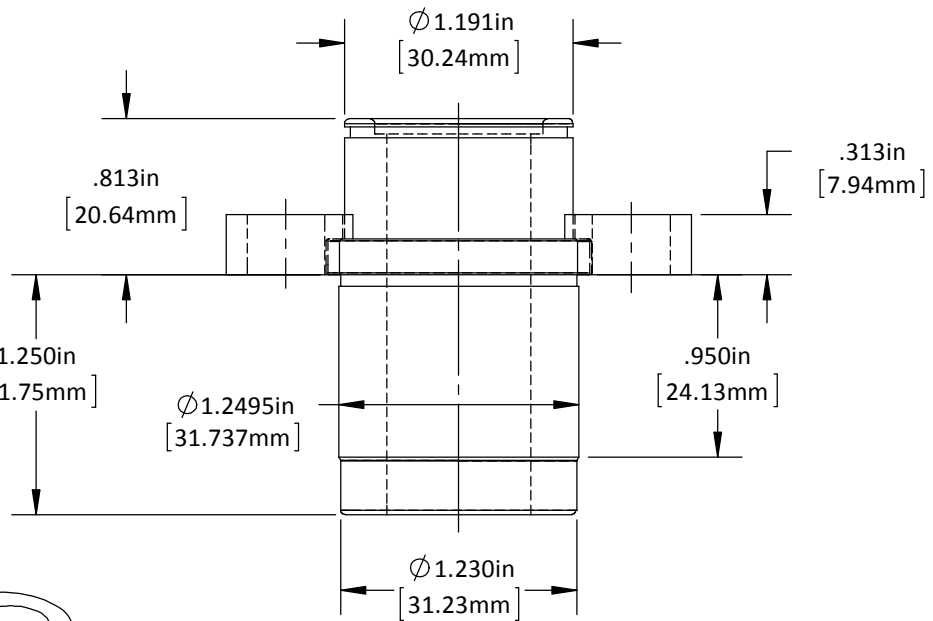
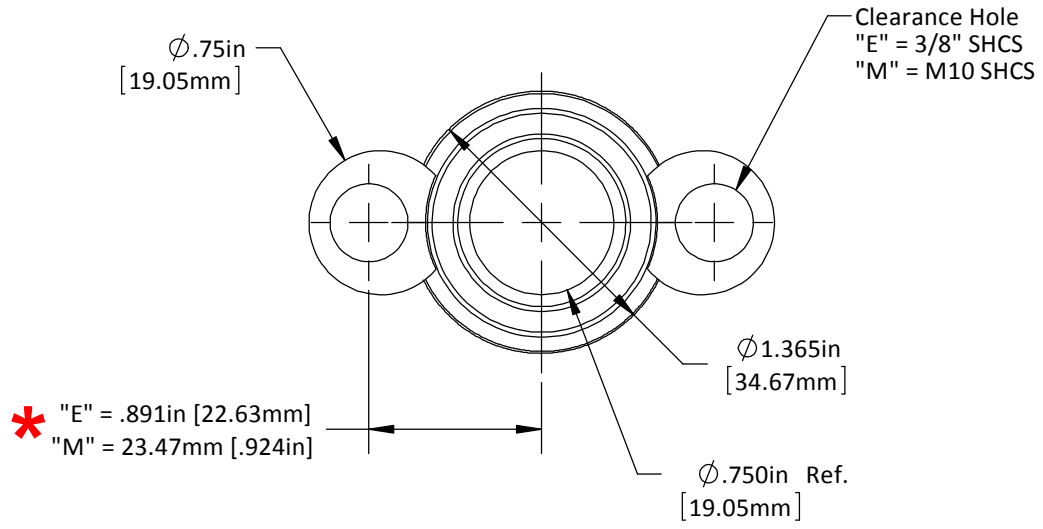


DO NOT SCALE DRAWING	REV 2
This product may be covered by one or more patents or patent applications. See <a href="http://www.standardlifters.com/patents.html">http://www.standardlifters.com/patents.html</a> for details.	

**GK70-L2-Base Machining**

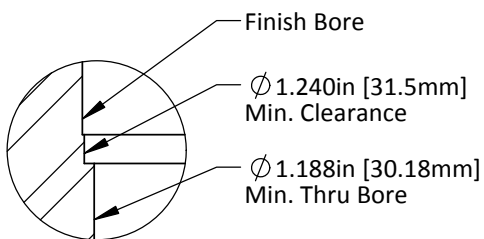
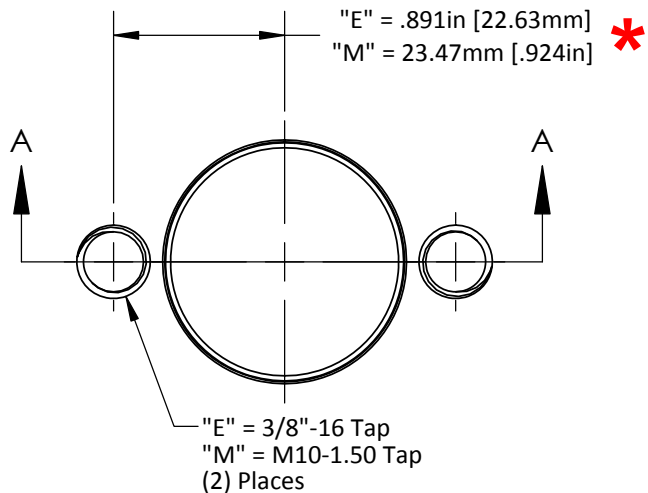
**STANDARD LIFTERS INC**

**\* Caution: English & Metric Hole Locations are NOT the Same!**

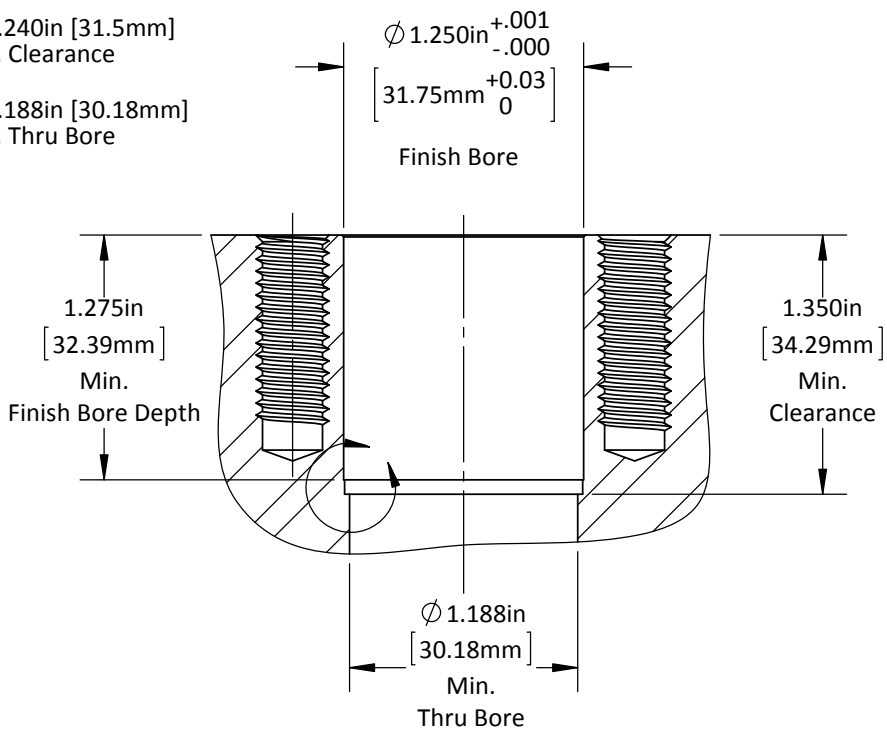


DO NOT SCALE DRAWING	REV 2	<b>Base-GK70-H2</b> <b>STANDARD LIFTERS INC</b>
This product may be covered by one or more patents or patent applications. See <a href="http://www.standardlifters.com/patents.html">http://www.standardlifters.com/patents.html</a> for details.		

**\* Caution: English & Metric Hole Locations are NOT the Same!**

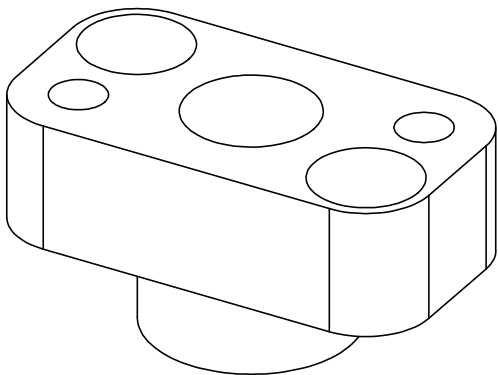
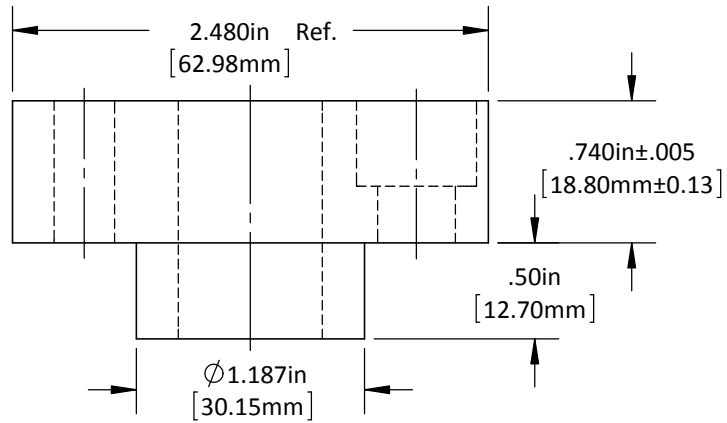
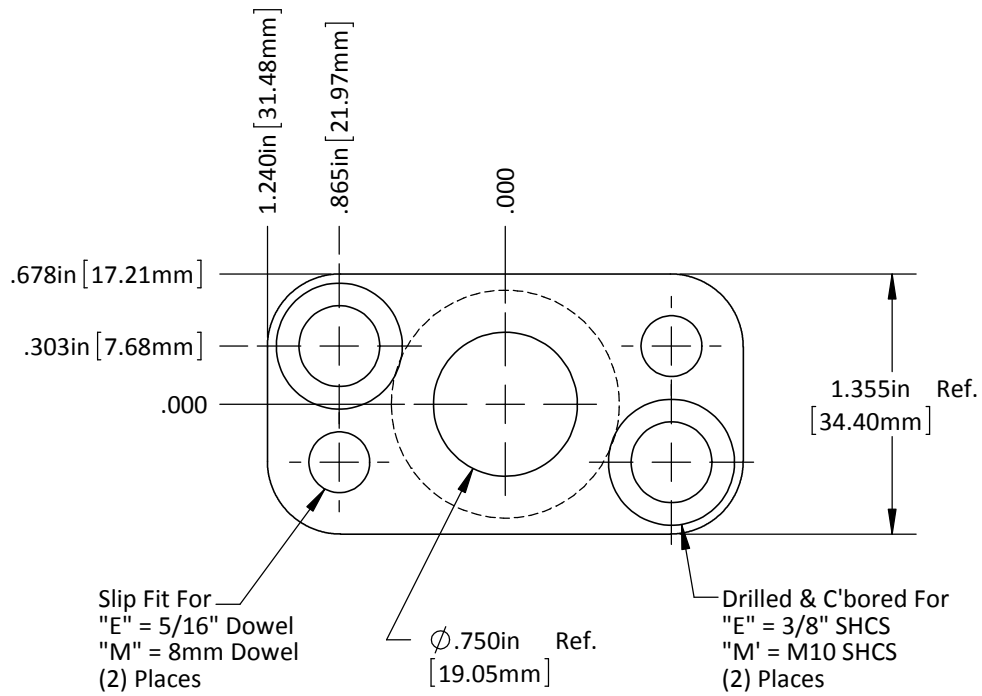


DETAIL SCALE :



DO NOT SCALE DRAWING	REV 2
This product may be covered by one or more patents or patent applications. See <a href="http://www.standardlifters.com/patents.html">http://www.standardlifters.com/patents.html</a> for details.	

**GK70-H2-Base Machining**  
**STANDARD LIFTERS INC**

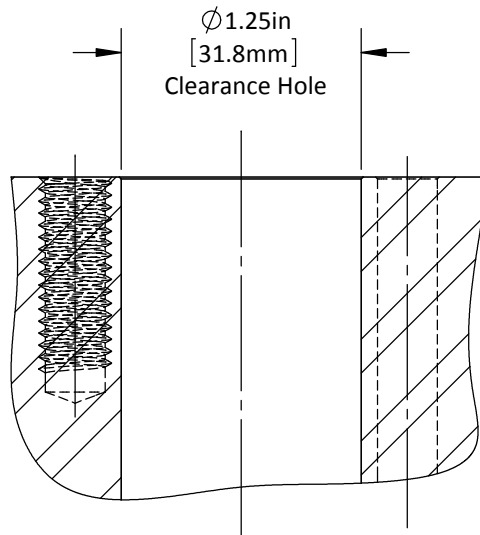
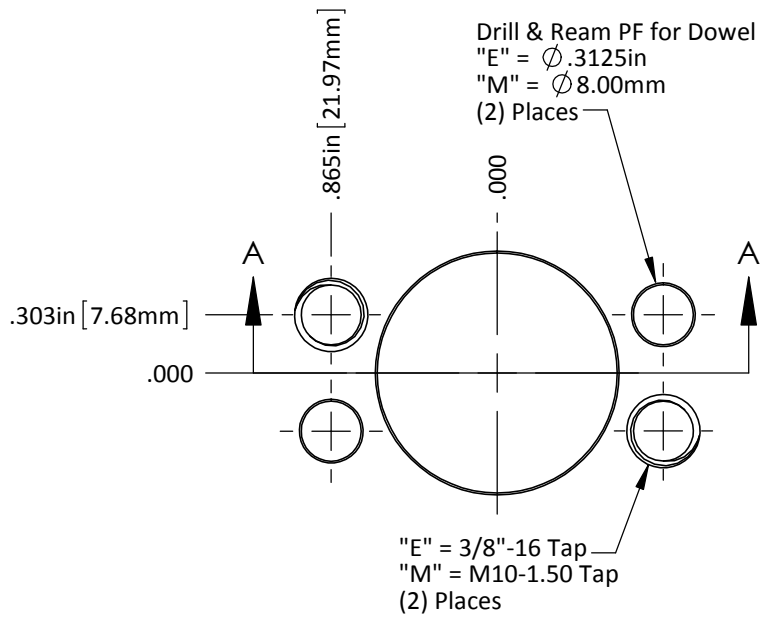


DO NOT SCALE DRAWING    REV 1

This product may be covered by one or more patents or patent applications.  
See <http://www.standardlifters.com/patents.html> for details.

**Base-GK70-A**

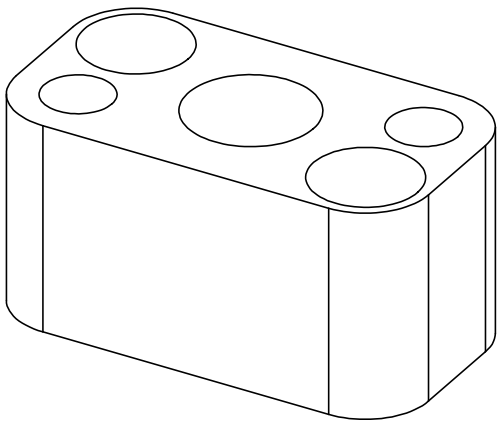
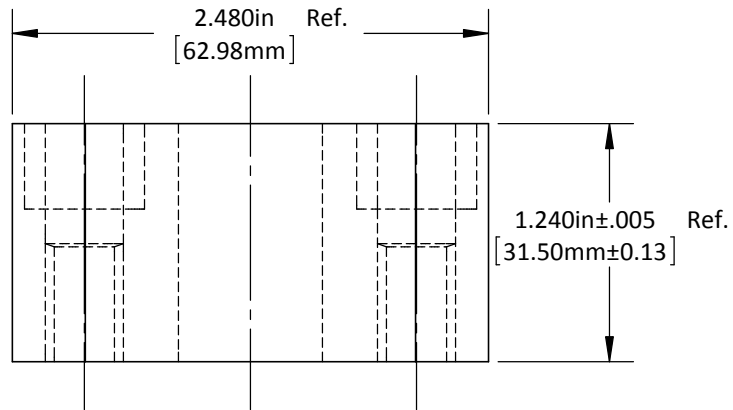
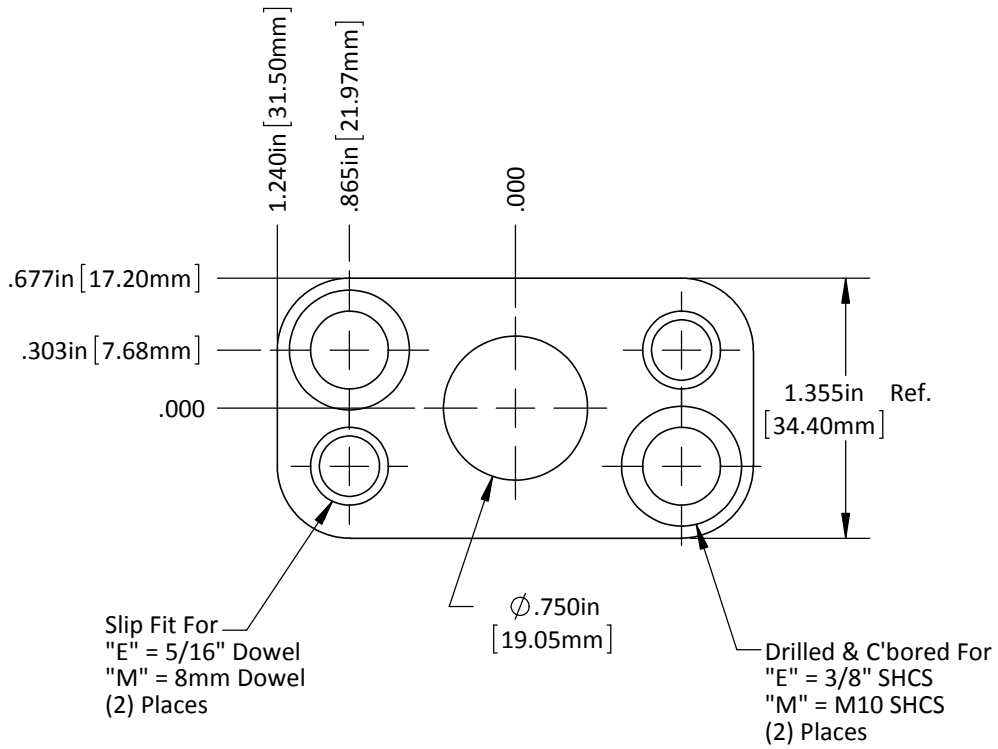
**STANDARD LIFTERS INC**



DO NOT SCALE DRAWING	REV 1
This product may be covered by one or more patents or patent applications. See <a href="http://www.standardlifters.com/patents.html">http://www.standardlifters.com/patents.html</a> for details.	

**GK70-A-Base Machining**  
**STANDARD LIFTERS INC**



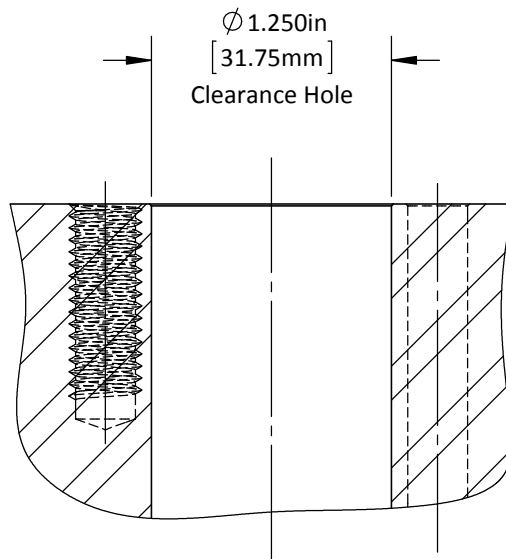
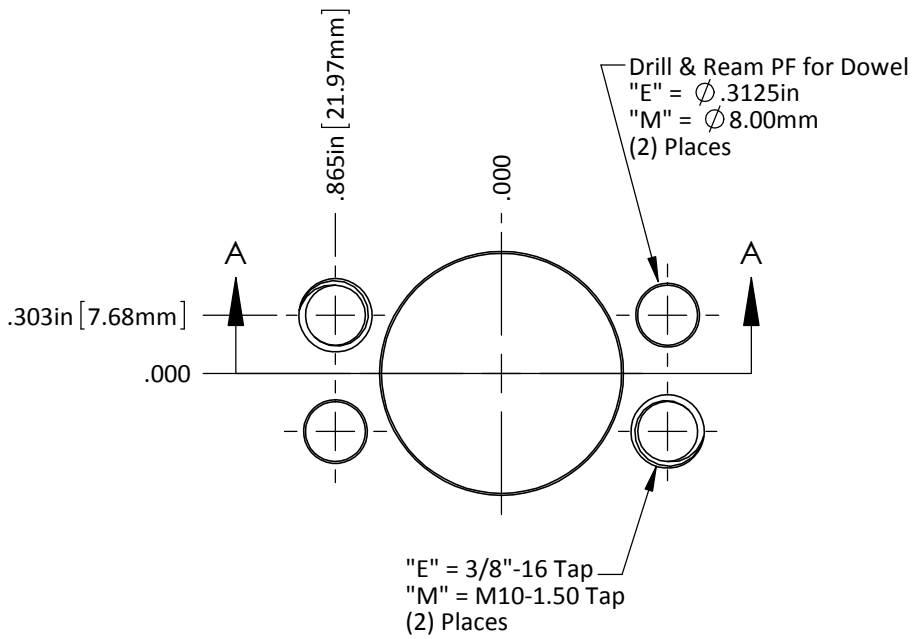


DO NOT SCALE DRAWING | REV 1

This product may be covered by one or more patents or patent applications.  
See <http://www.standardlifters.com/patents.html> for details.

**Base-GK70-B**

**STANDARD LIFTERS INC**



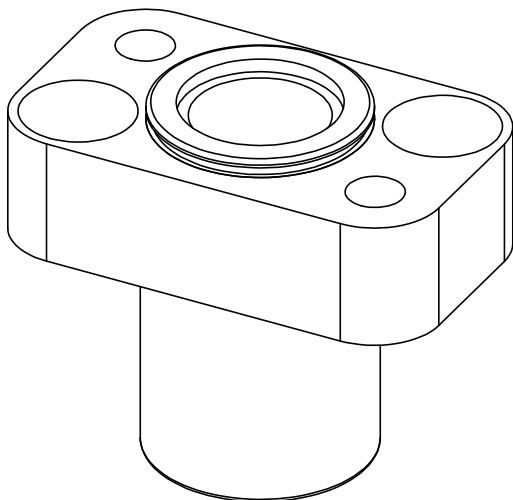
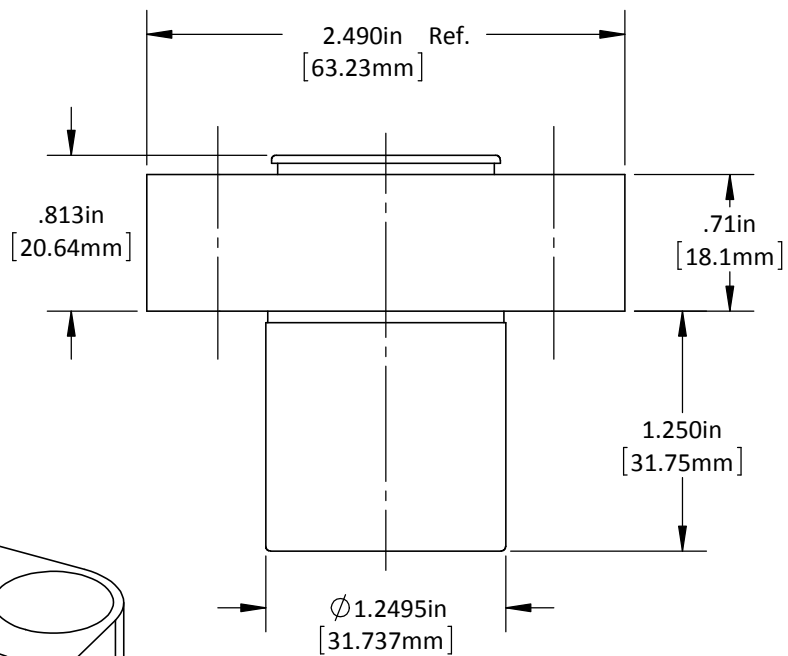
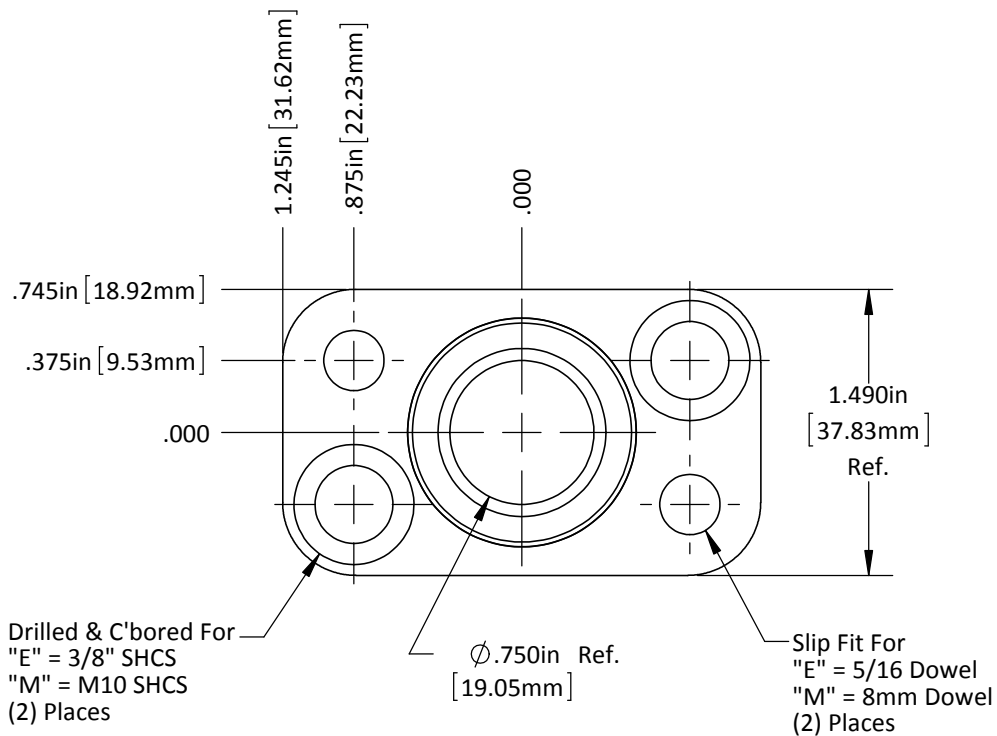
DO NOT SCALE DRAWING

REV 1

This product may be covered by one or more patents or  
 patent applications.  
 See <http://www.standardlifters.com/patents.html> for details.

**GK70-B-Base Machining**

**STANDARD LIFTERS INC**

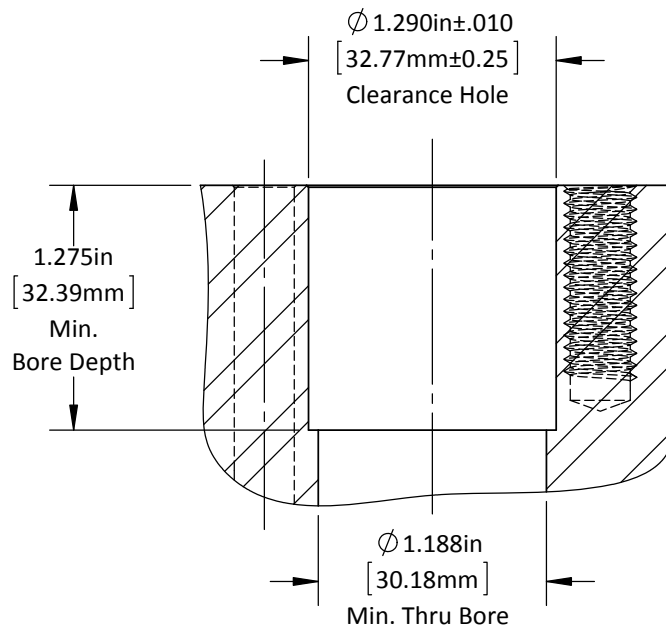
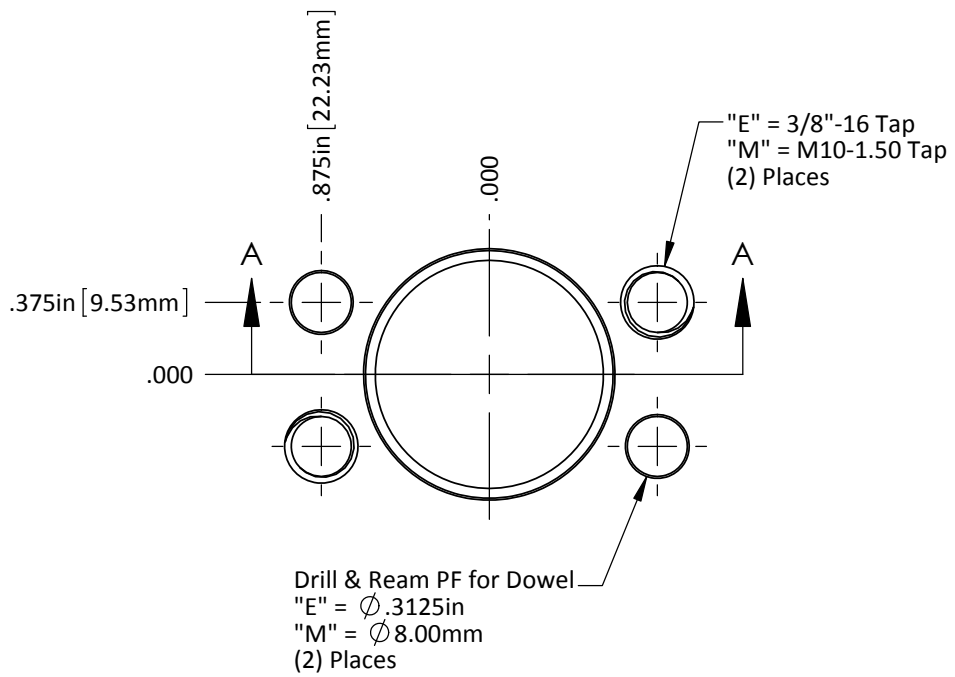


DO NOT SCALE DRAWING    REV 1

This product may be covered by one or more patents or patent applications.  
See <http://www.standardlifters.com/patents.html> for details.

**Base-GK70-D2**

**STANDARD LIFTERS INC**



DO NOT SCALE DRAWING	REV 2
This product may be covered by one or more patents or patent applications. See <a href="http://www.standardlifters.com/patents.html">http://www.standardlifters.com/patents.html</a> for details.	

<b>GK70-D2-Base Machining</b>
<b>STANDARD LIFTERS INC</b>