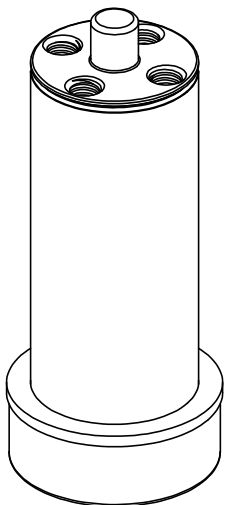
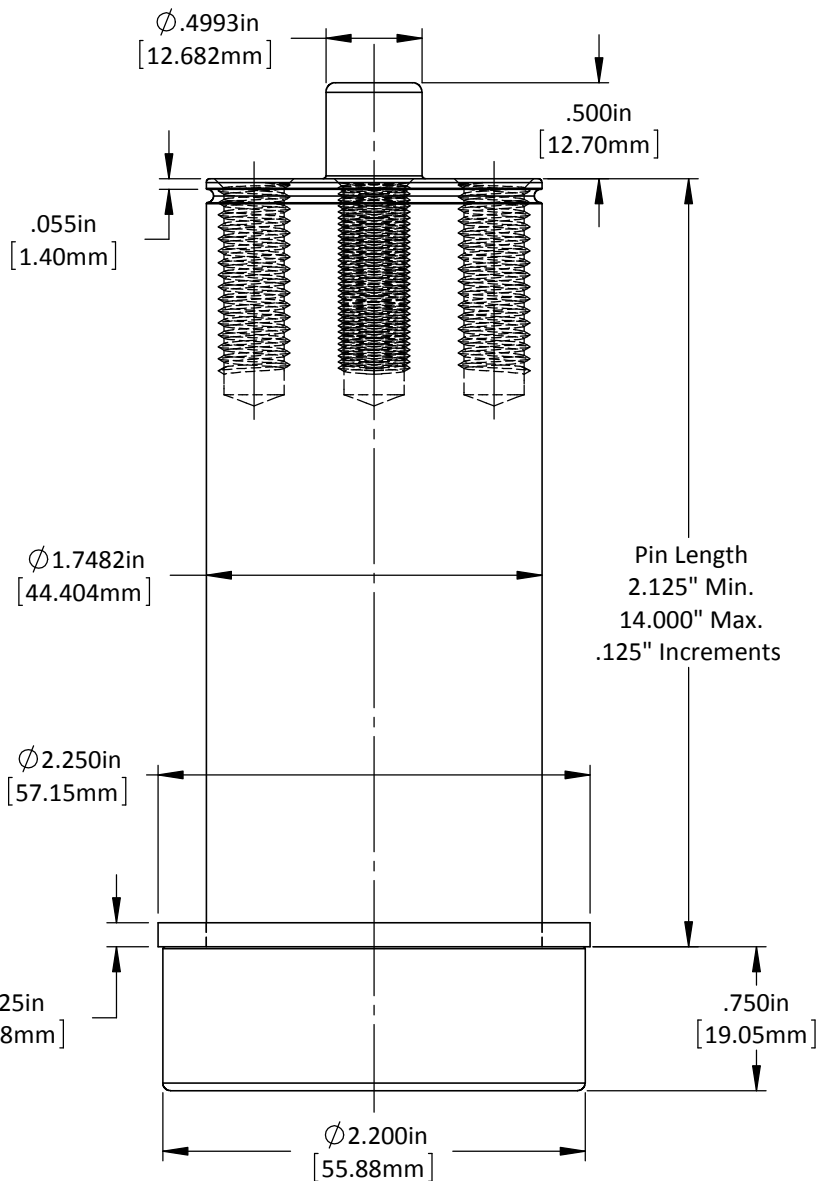


.625in
[15.88mm]
Ref.

"E" = 3/8"-16 Tap
1.00in Dp.
"M" = M10-1.5 Tap
25mm Dp.
(4) Plcs. On a ϕ 1.250in [31.75mm]
Bolt Circle



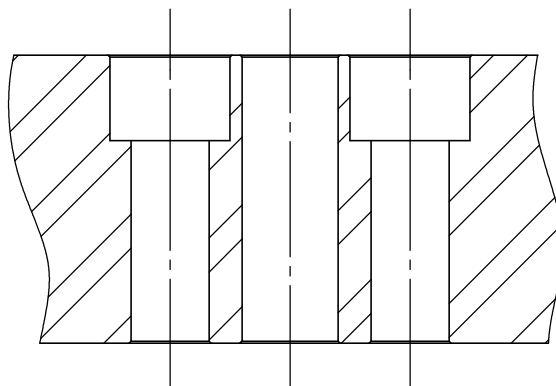
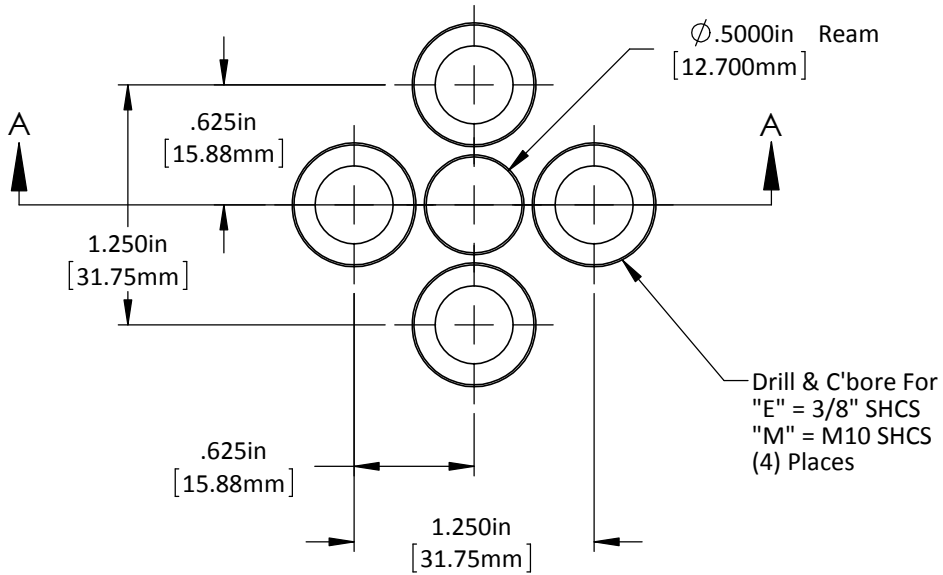
DO NOT SCALE DRAWING

REV 1

This product may be covered by one or more patents or patent applications.
See <http://www.standardlifters.com/patents.html> for details.

Guide Pin GK175

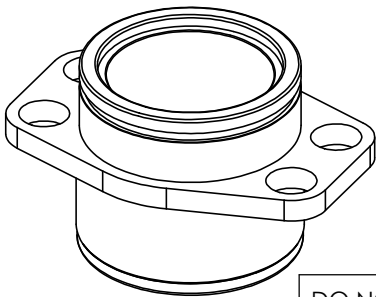
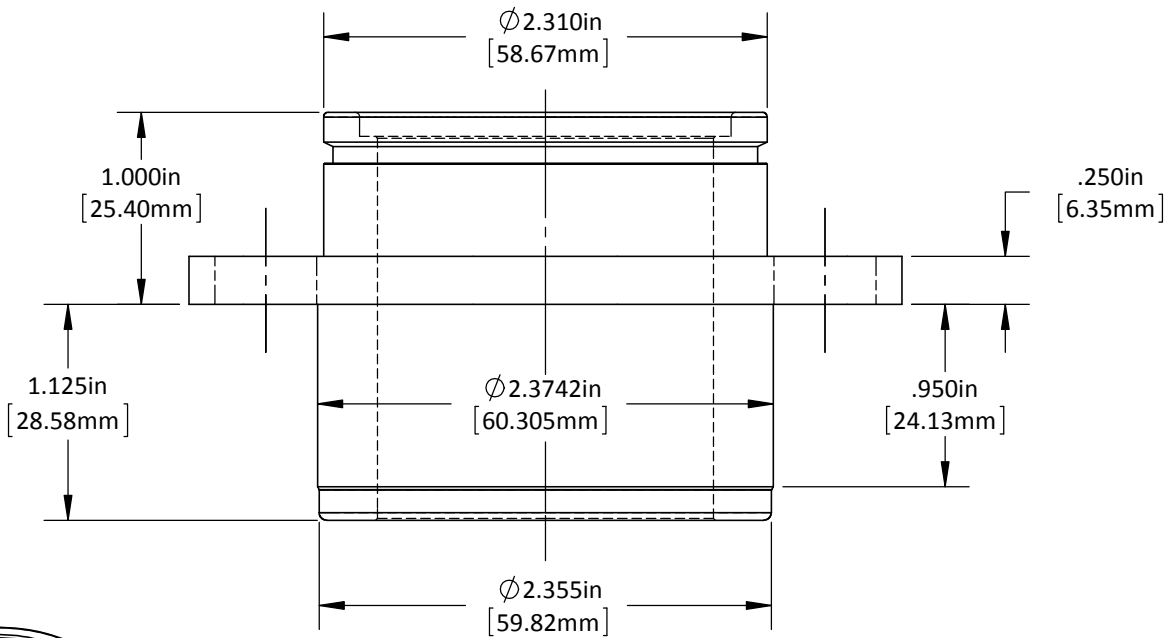
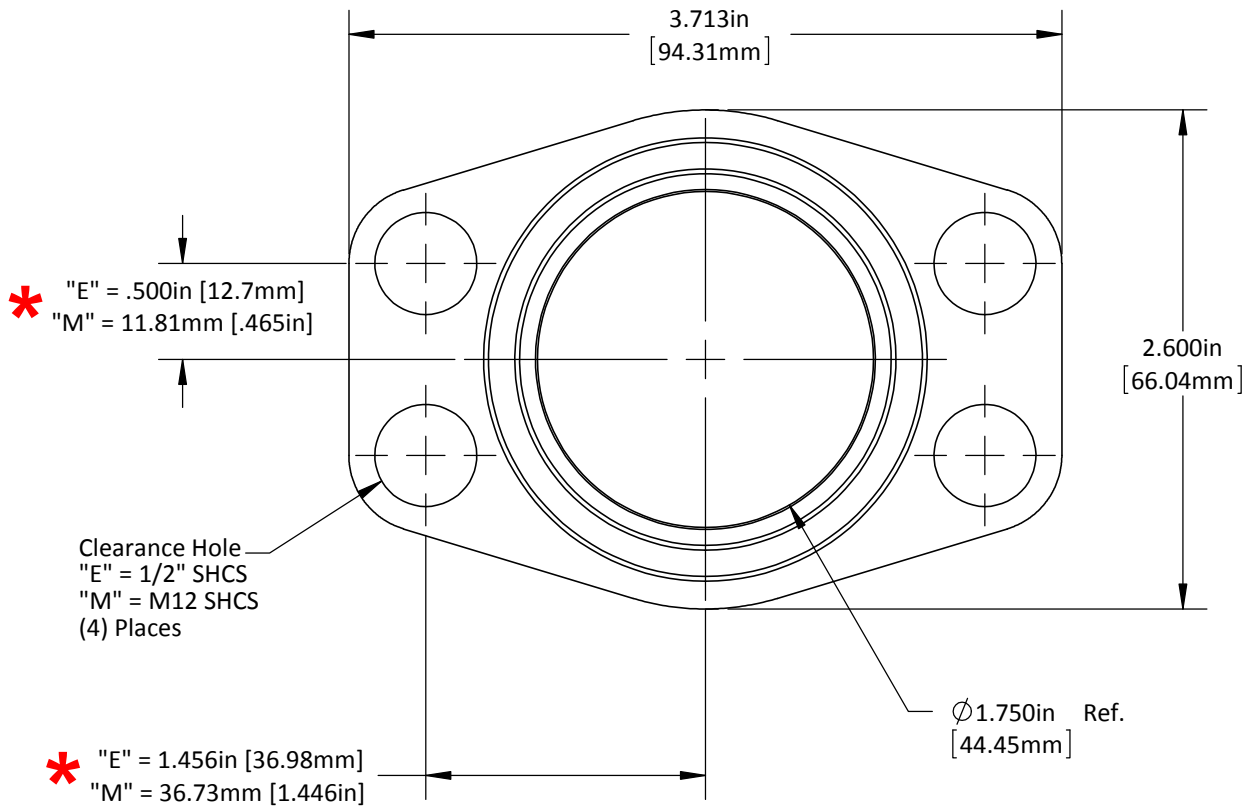
STANDARD LIFTERS INC



DO NOT SCALE DRAWING	REV 1
This product may be covered by one or more patents or patent applications. See http://www.standardlifters.com/patents.html for details.	

Guide Pin GK175-Machining
STANDARD LIFTERS INC

***Caution: English & Metric Hole Locations are NOT the Same!**



DO NOT SCALE DRAWING

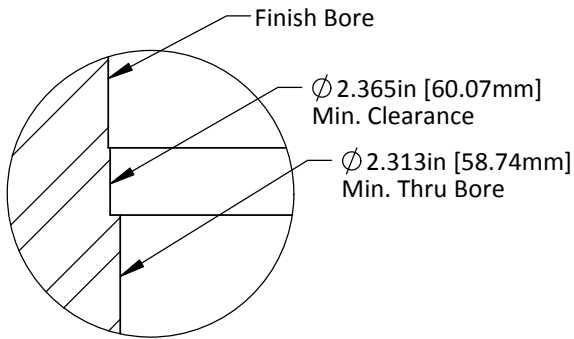
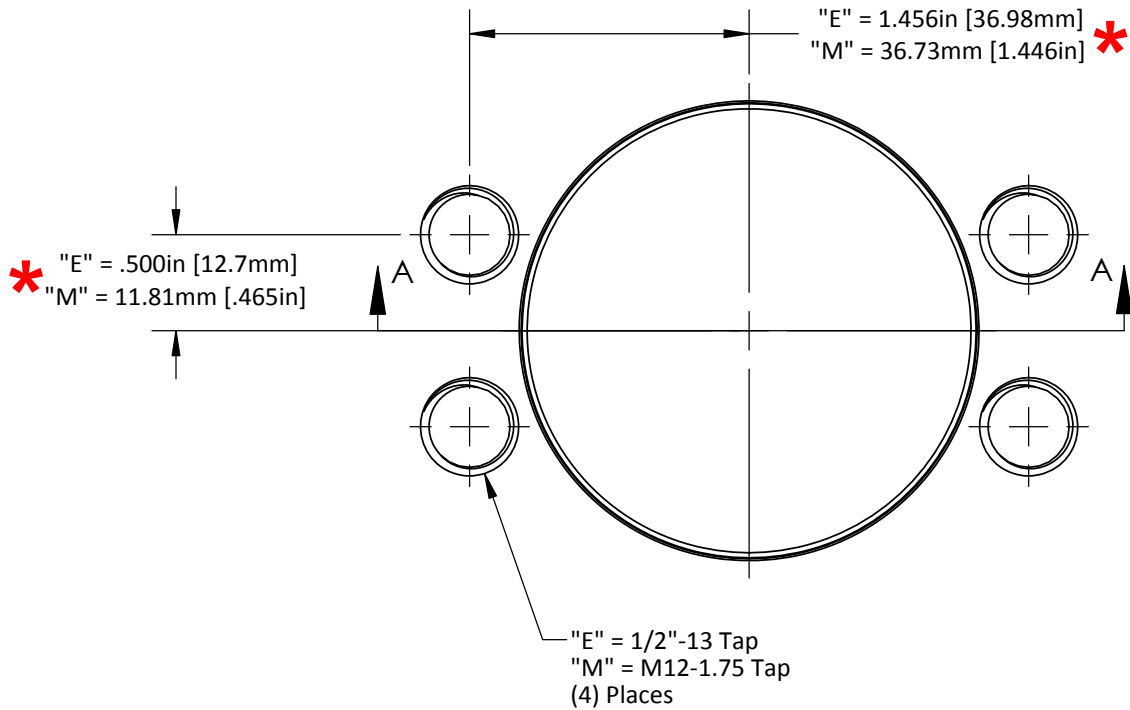
REV 1

This product may be covered by one or more patents or patent applications.
See <http://www.standardlifters.com/patents.html> for details.

Base-GK175-L2

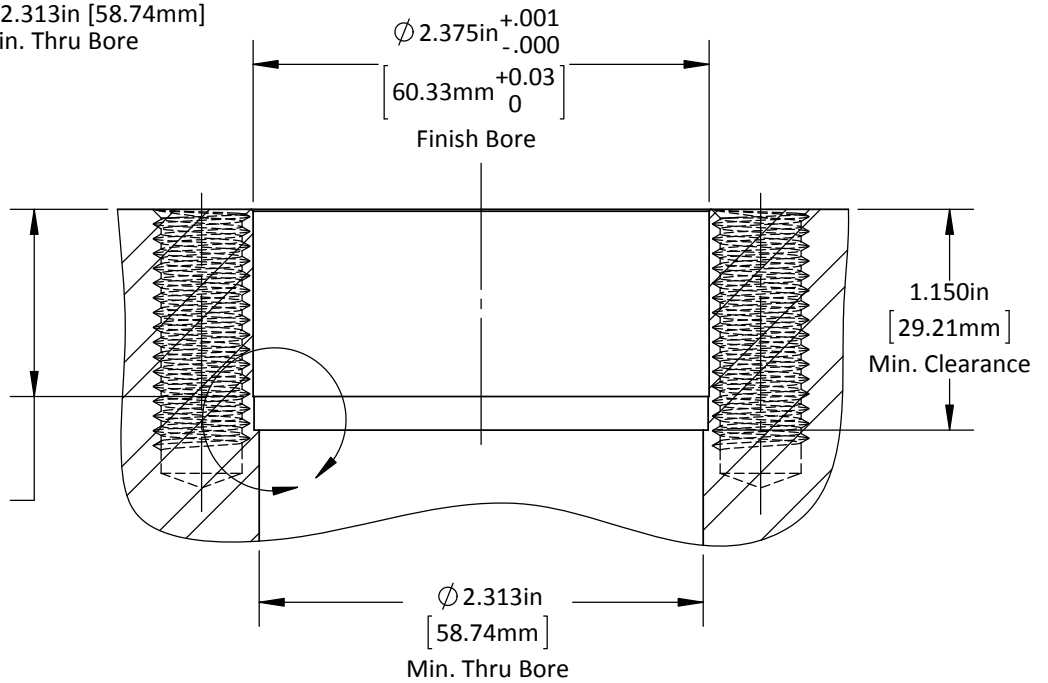
STANDARD LIFTERS INC

***Caution: English & Metric Hole Locations are NOT the Same!**



DETAIL SCALE :

.975in
[24.77mm]
Min.
Finish Bore Depth



DO NOT SCALE DRAWING

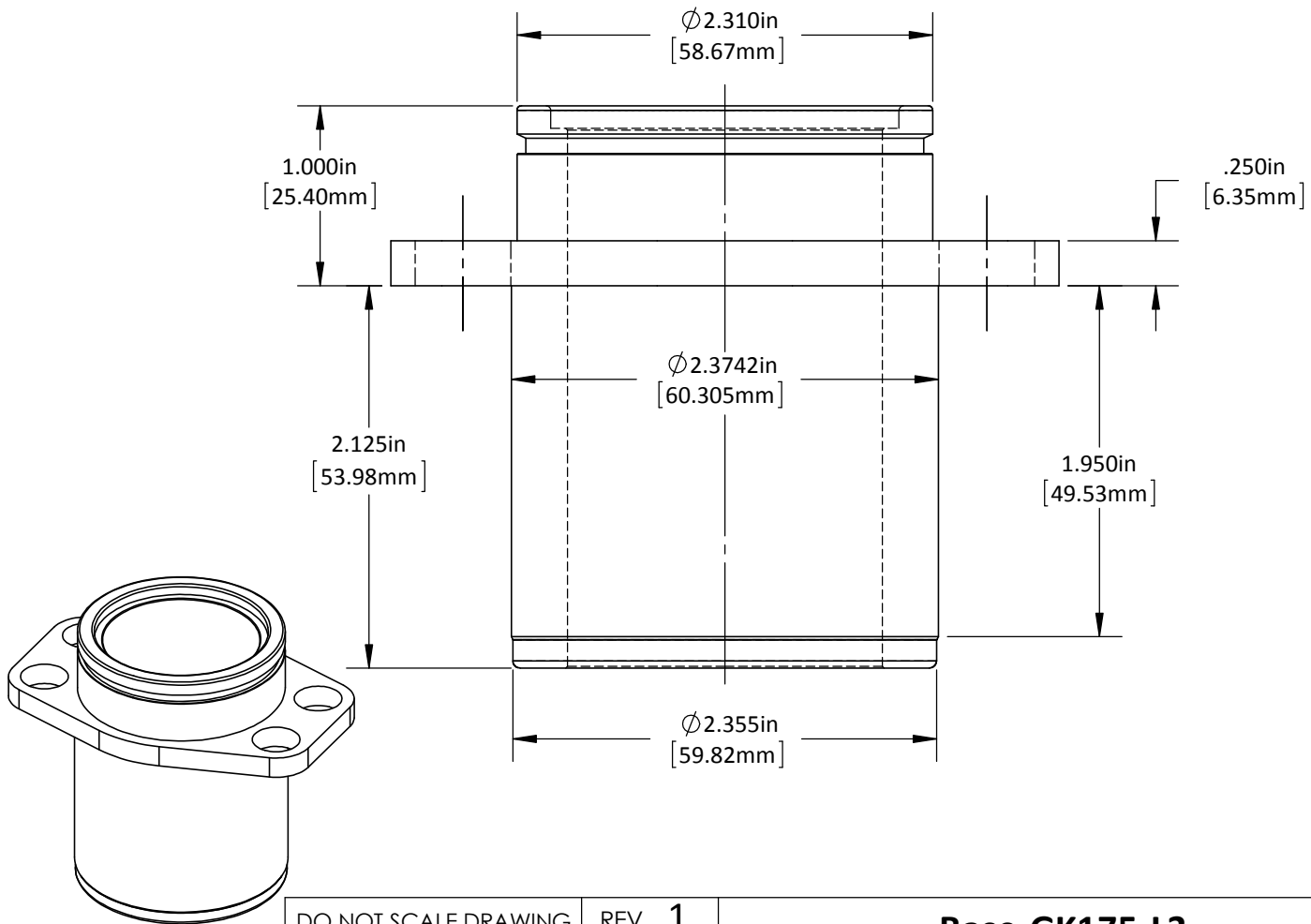
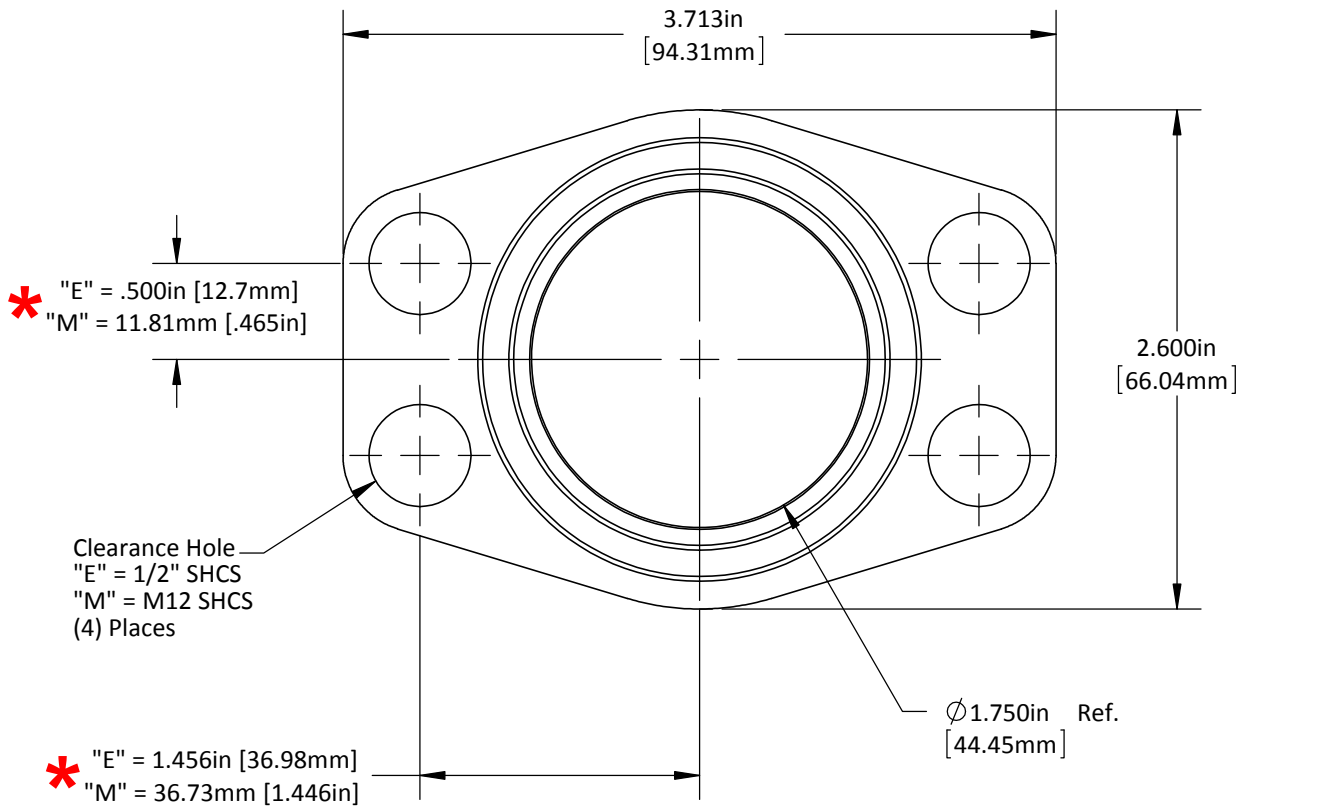
REV 2

This product may be covered by one or more patents or patent applications.
See <http://www.standardlifters.com/patents.html> for details.

GK175-L2-Base Machining

STANDARD LIFTERS INC

***Caution: English & Metric Hole Locations are NOT the Same!**



DO NOT SCALE DRAWING

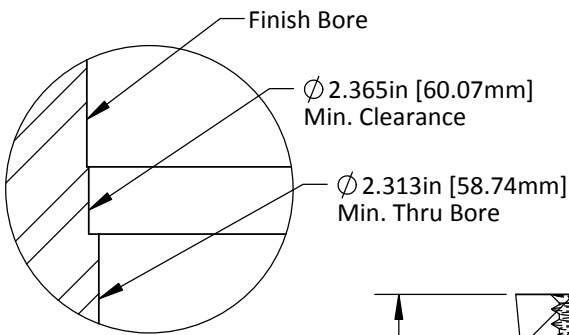
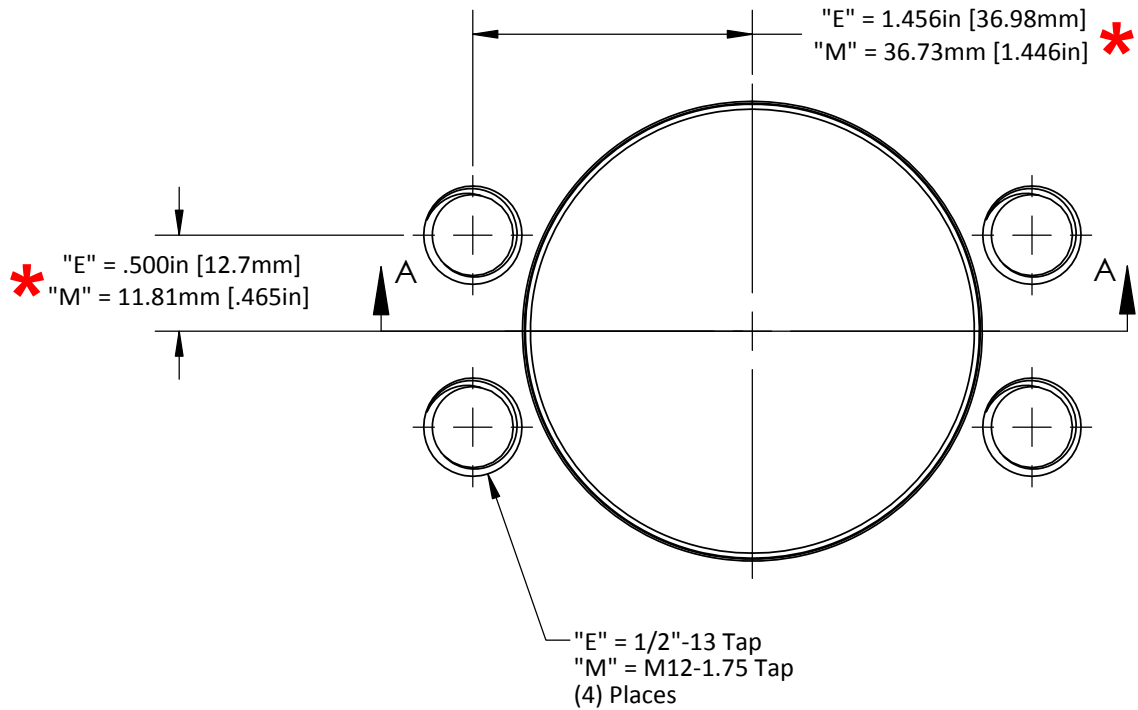
REV 1

This product may be covered by one or more patents or patent applications.
See <http://www.standardlifters.com/patents.html> for details.

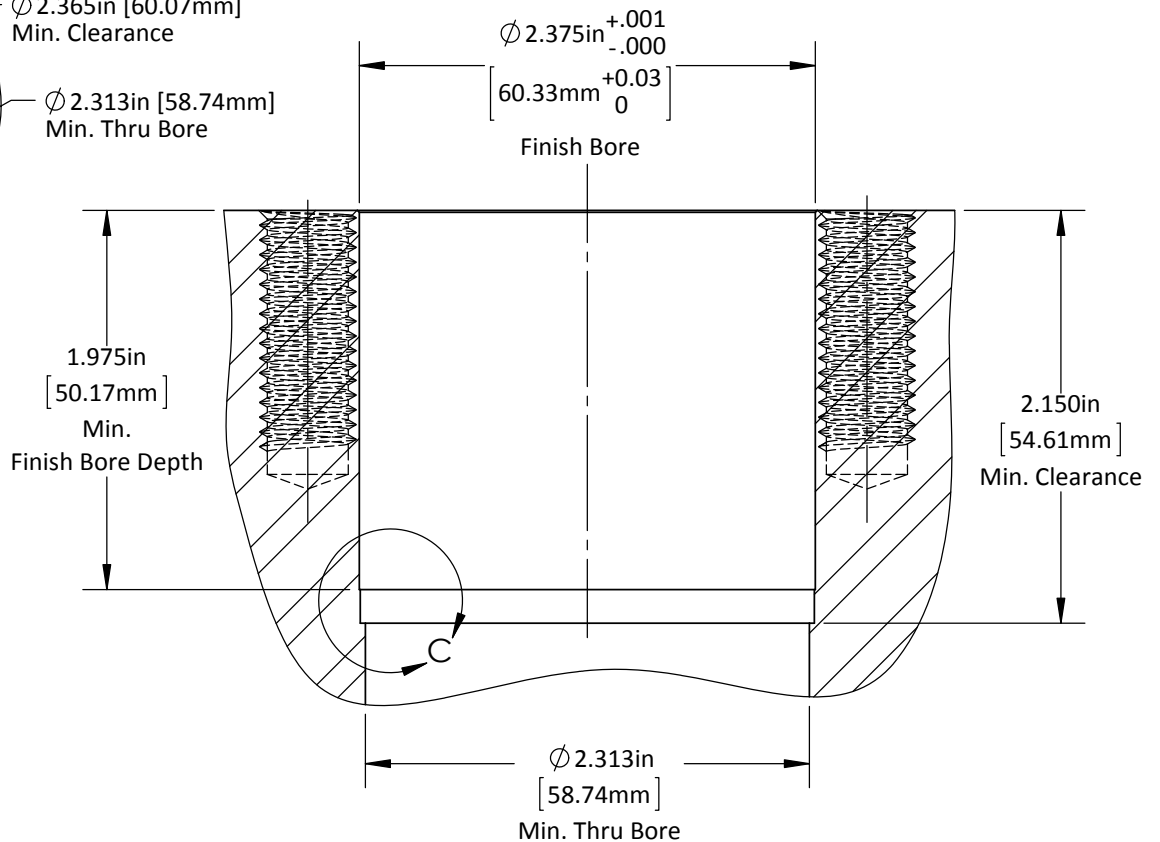
Base-GK175-L3

STANDARD LIFTERS INC

***Caution: English & Metric Hole Locations are NOT the Same!**



DETAIL C
SCALE :



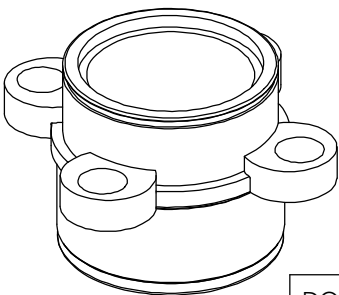
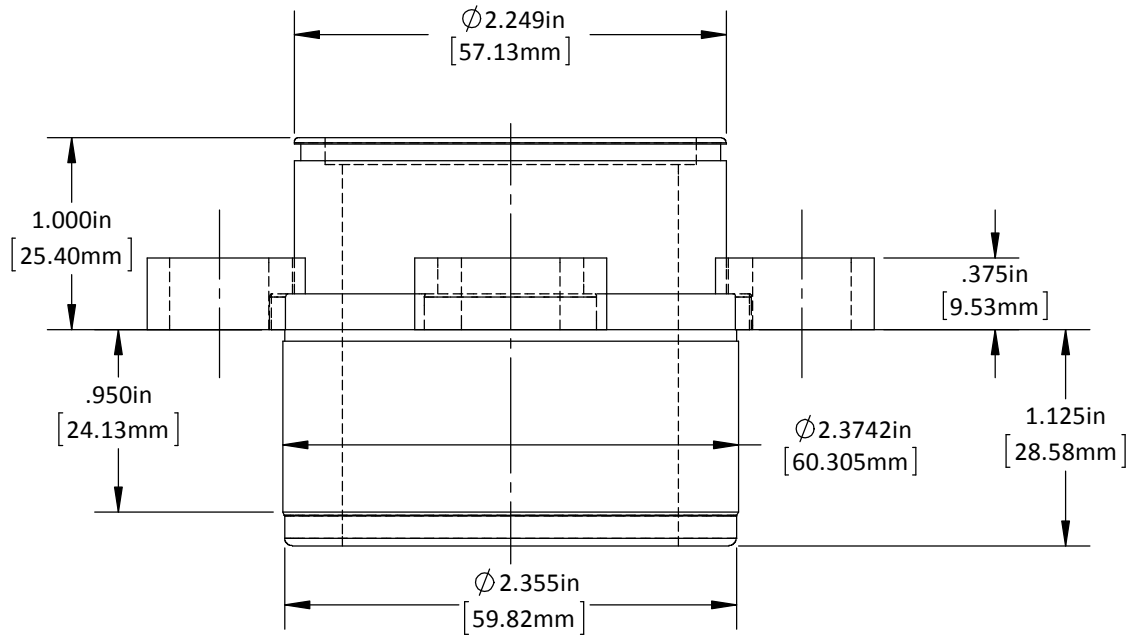
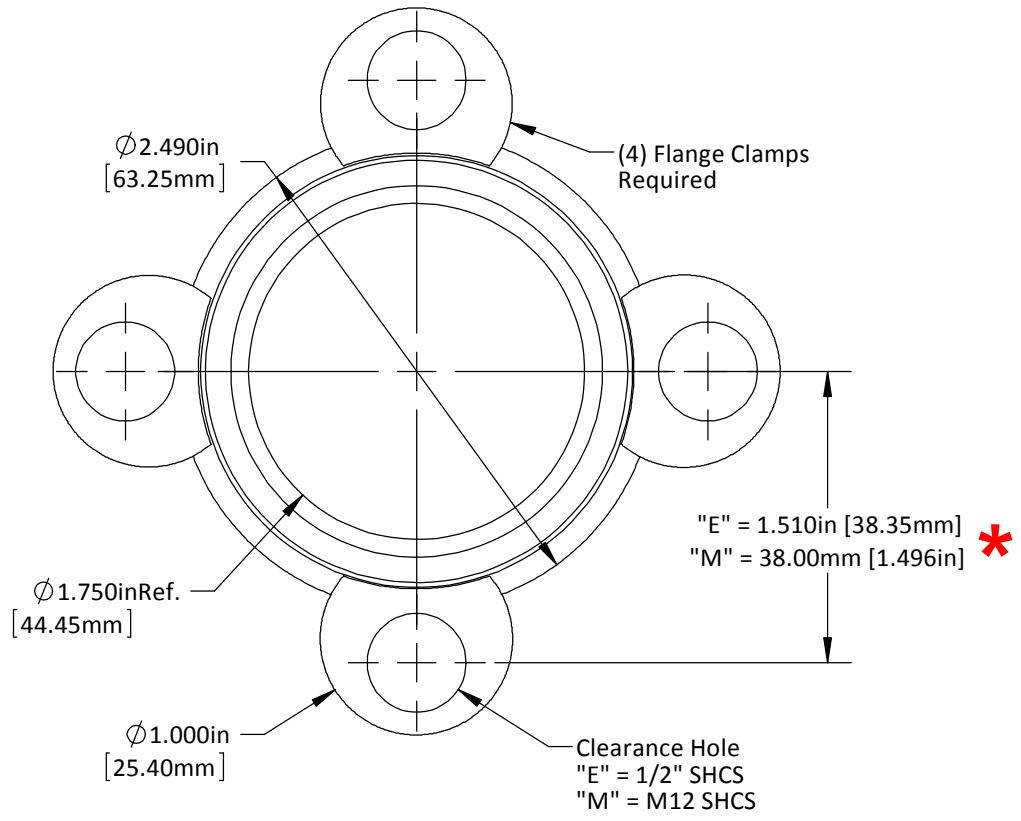
DO NOT SCALE DRAWING

REV 2

This product may be covered by one or more patents or patent applications.
See <http://www.standardlifters.com/patents.html> for details.

GK175-L3-Base Machining

STANDARD LIFTERS INC



*** Caution: English & Metric Hole Locations are NOT the Same!**

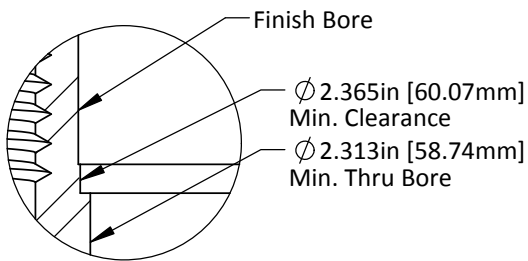
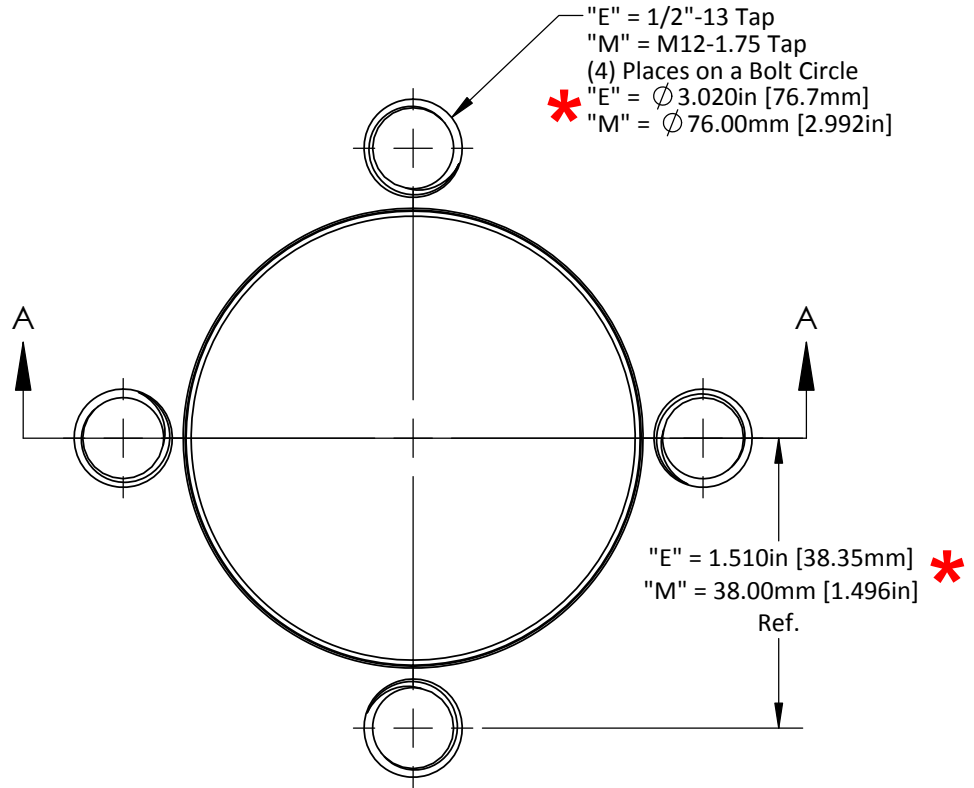
DO NOT SCALE DRAWING | REV 2

This product may be covered by one or more patents or patent applications.
 See <http://www.standardlifters.com/patents.html> for details.

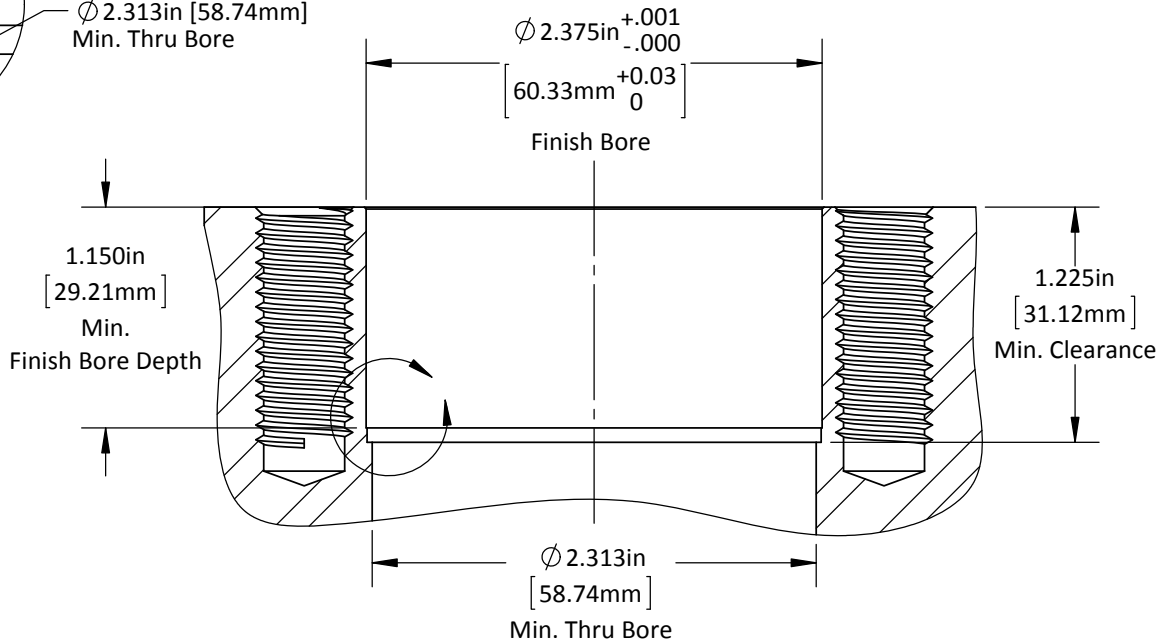
Base-GK175-H2

STANDARD LIFTERS INC

*** Caution: English & Metric Hole Locations are NOT the Same!**

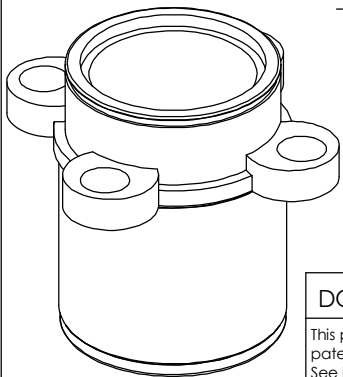
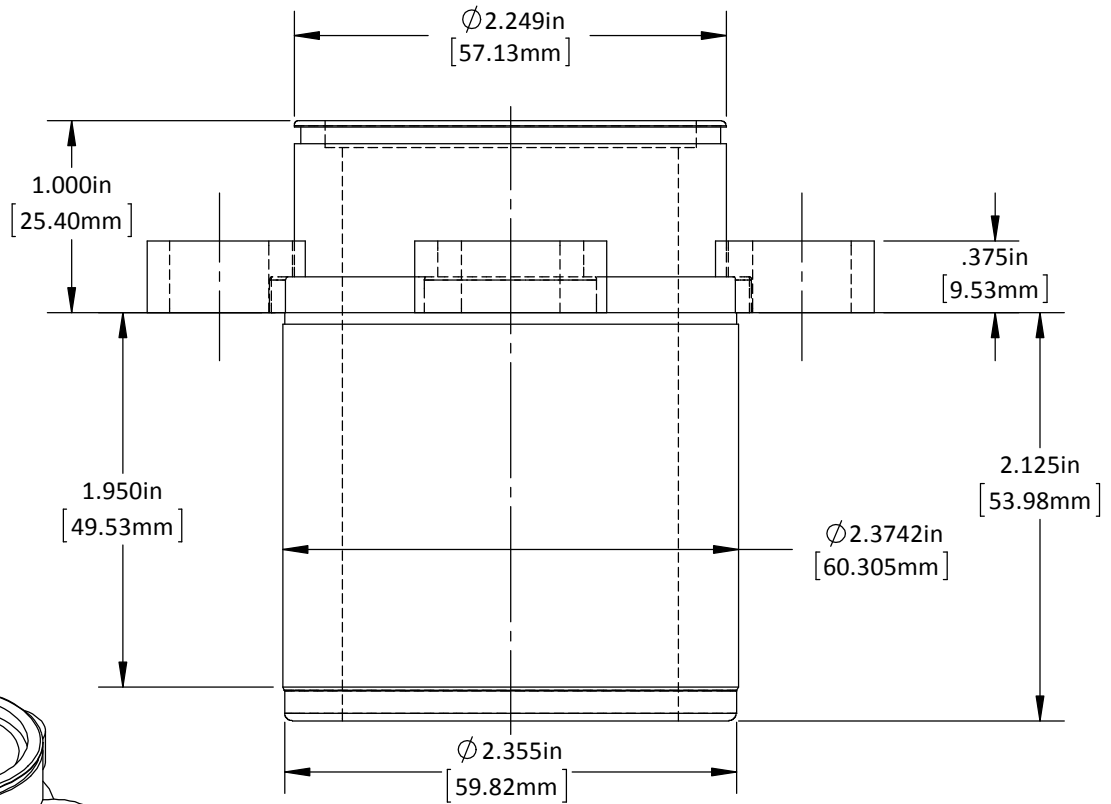
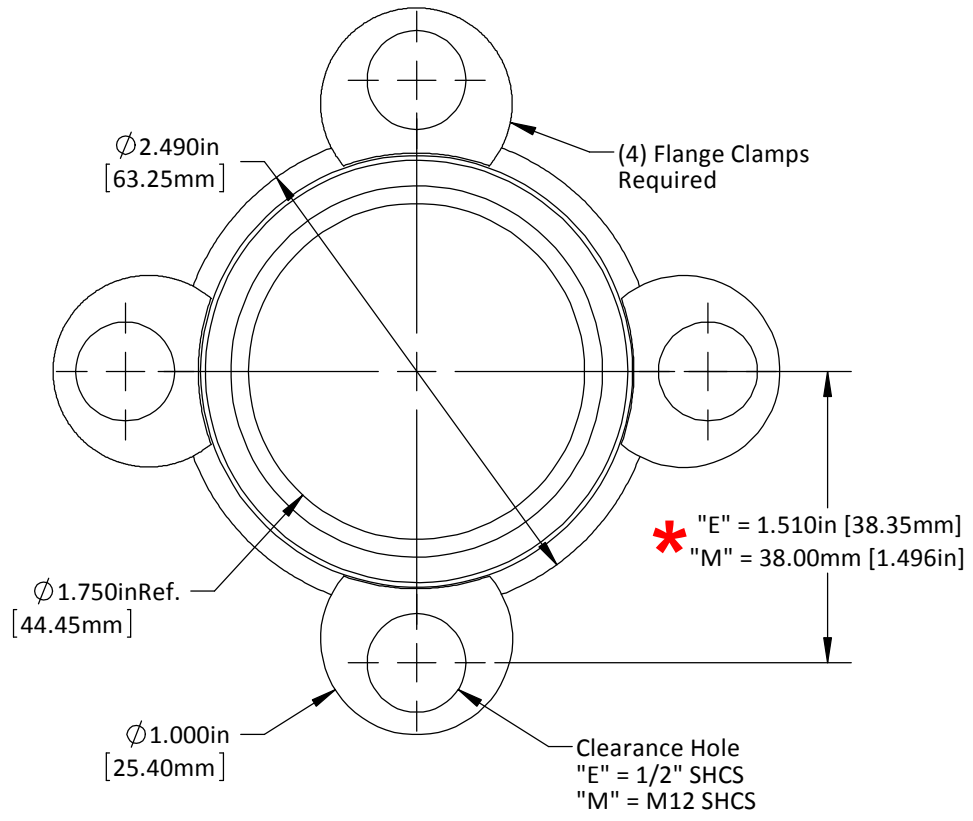


DETAIL SCALE :



DO NOT SCALE DRAWING	REV 2
This product may be covered by one or more patents or patent applications. See http://www.standardlifters.com/patents.html for details.	

GK175-H2-Base Machining
STANDARD LIFTERS INC



***Caution: English & Metric Hole Locations are NOT the Same!**

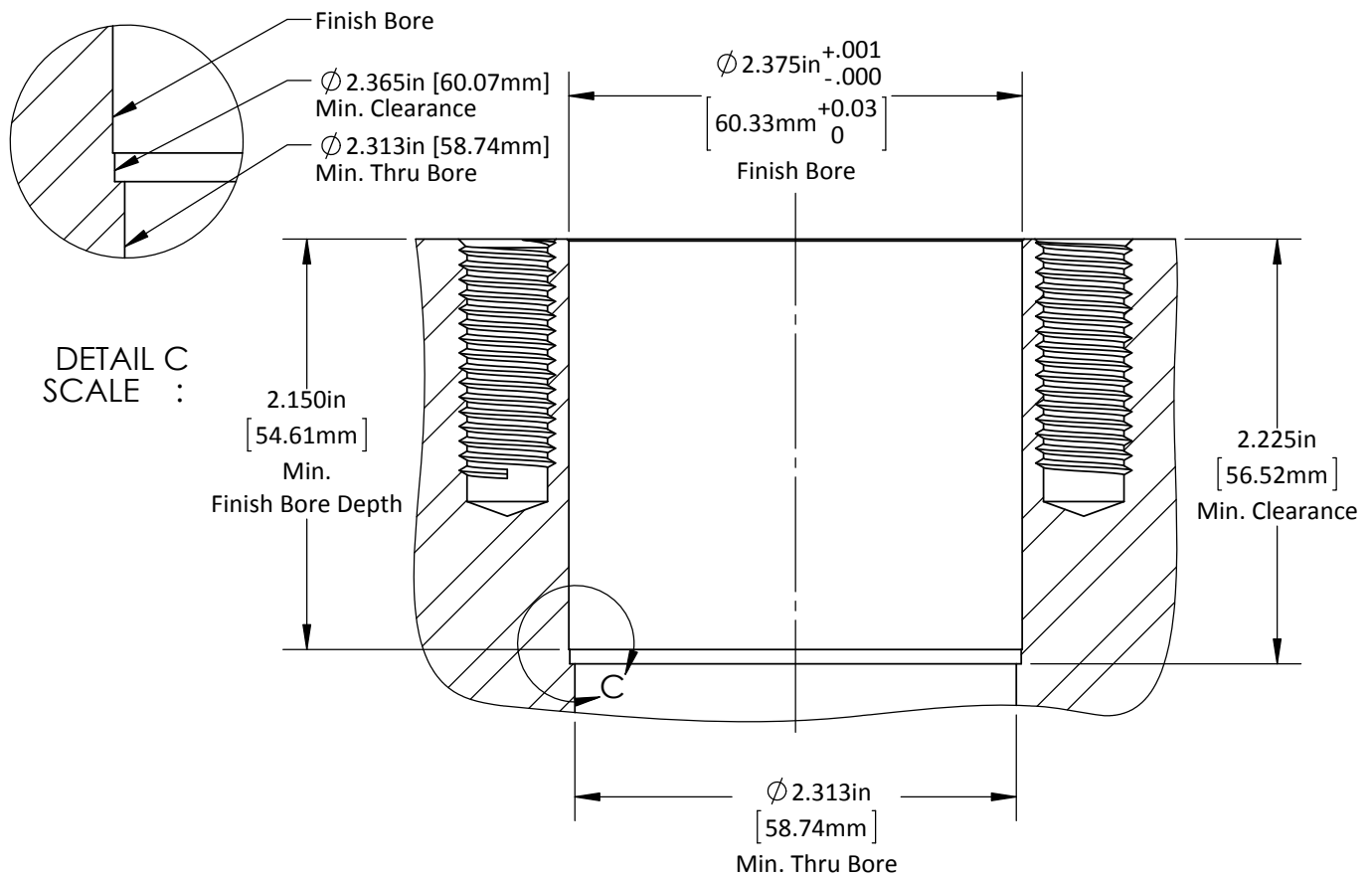
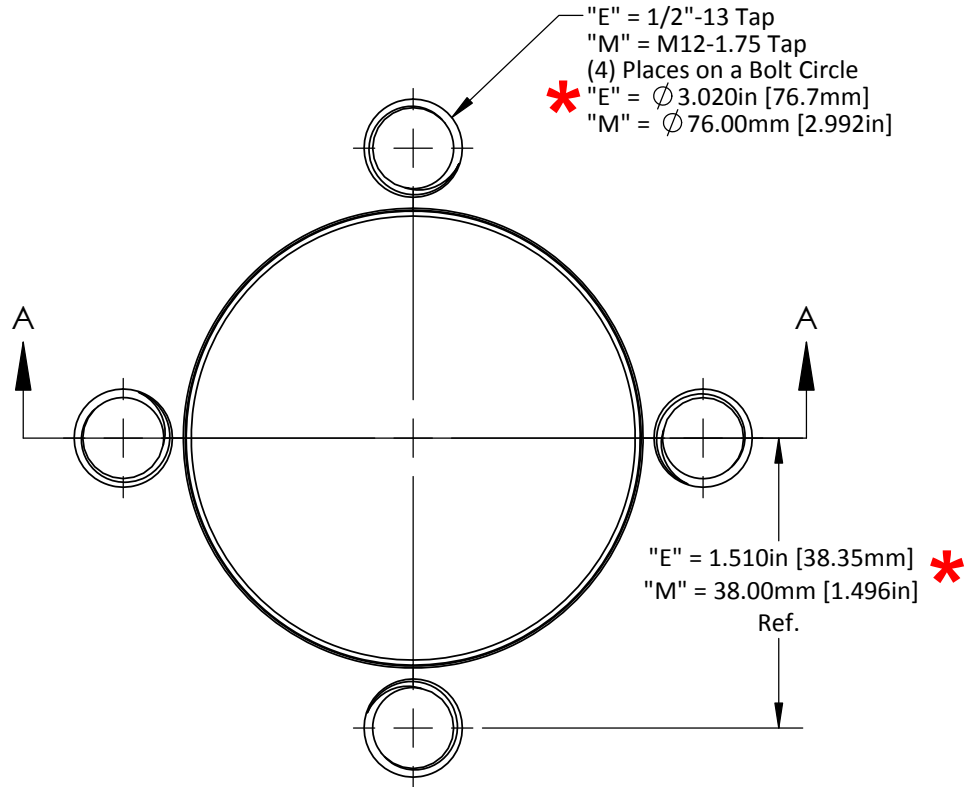
DO NOT SCALE DRAWING | REV 2

This product may be covered by one or more patents or patent applications.
 See <http://www.standardlifters.com/patents.html> for details.

Base-GK175-H3

STANDARD LIFTERS INC

*** Caution: English & Metric Hole Locations are NOT the Same!**



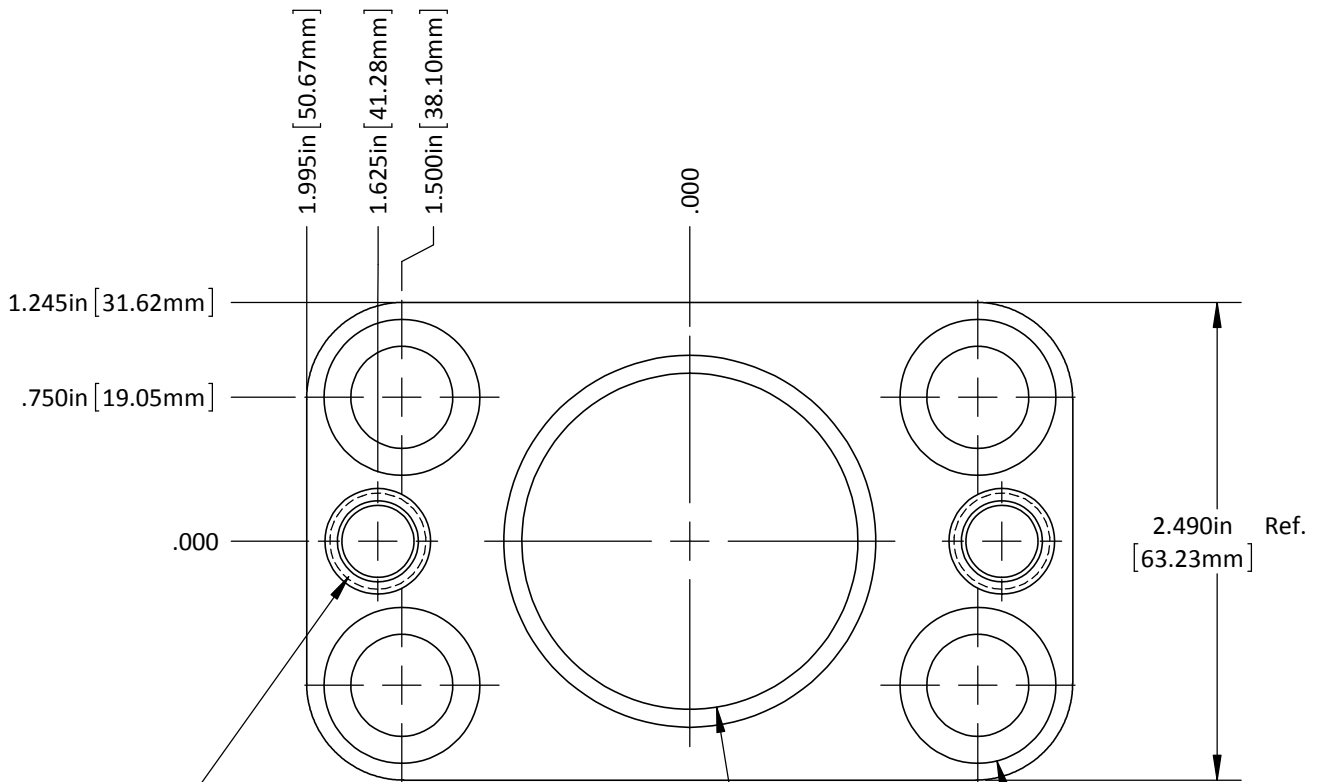
DO NOT SCALE DRAWING

REV 2

This product may be covered by one or more patents or patent applications.
 See <http://www.standardlifters.com/patents.html> for details.

GK175-H3-Base Machining

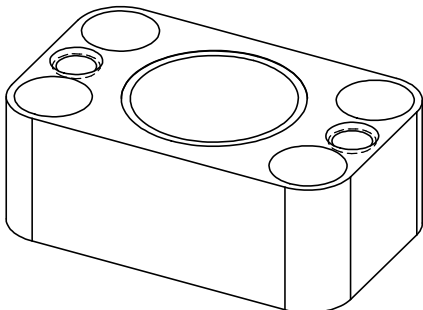
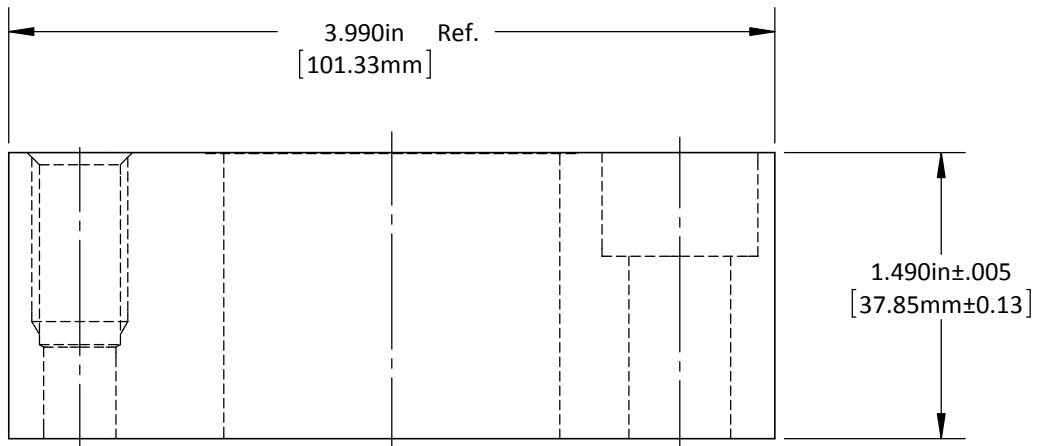
STANDARD LIFTERS INC



"E" = Slip Fit For 3/8" Dowel
 1/2"-13 Tap X .88" Dp.
 "M" = Slip Fit For 10mm Dowel
 M12-1.75 Tap X 22mm Dp.
 (2) Places

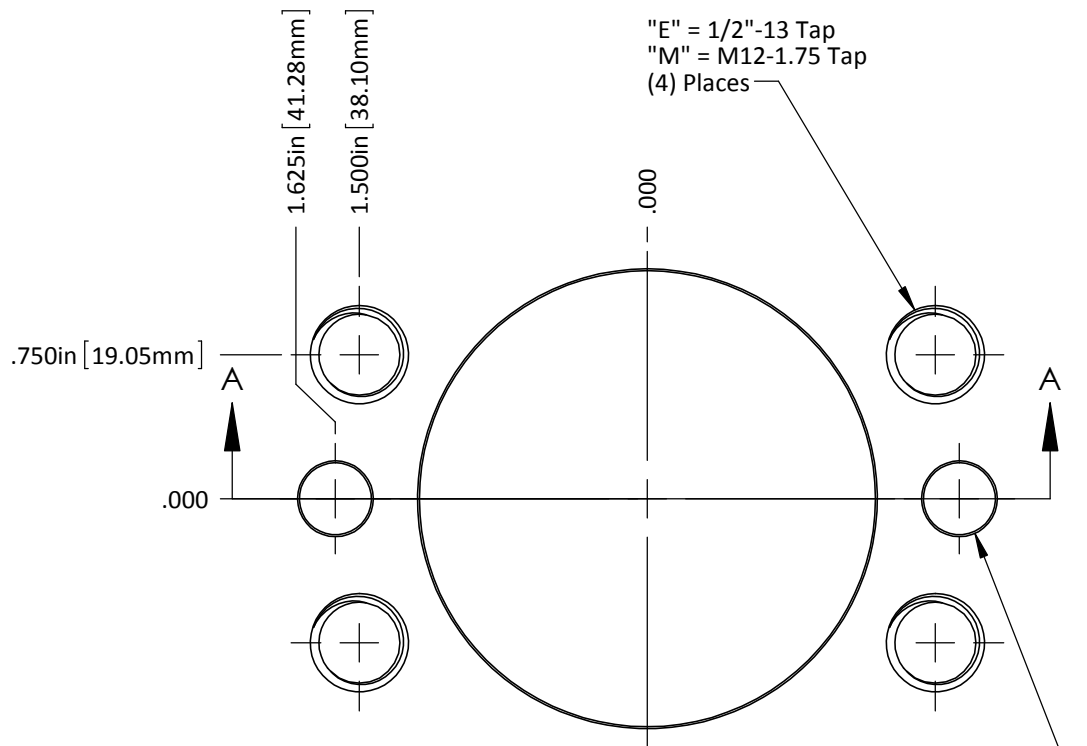
Ø1.750in Ref.
 [44.45mm]

Drilled & C'bored For
 "E" = 1/2" SHCS
 "M" = M12 SHCS
 (4) Places

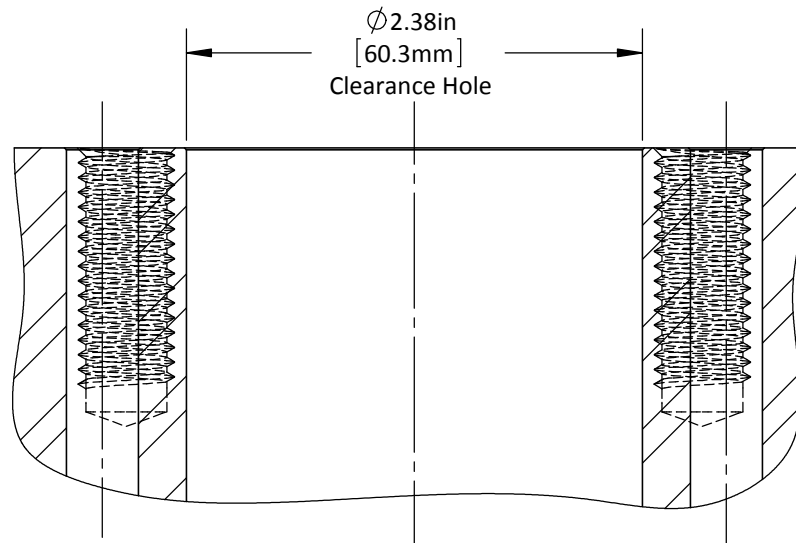


DO NOT SCALE DRAWING | REV 1
 This product may be covered by one or more patents or patent applications.
 See <http://www.standardlifters.com/patents.html> for details.

Base-GK175-A
STANDARD LIFTERS INC

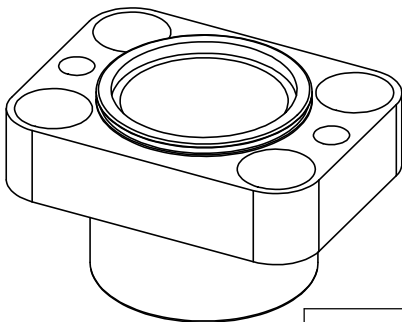
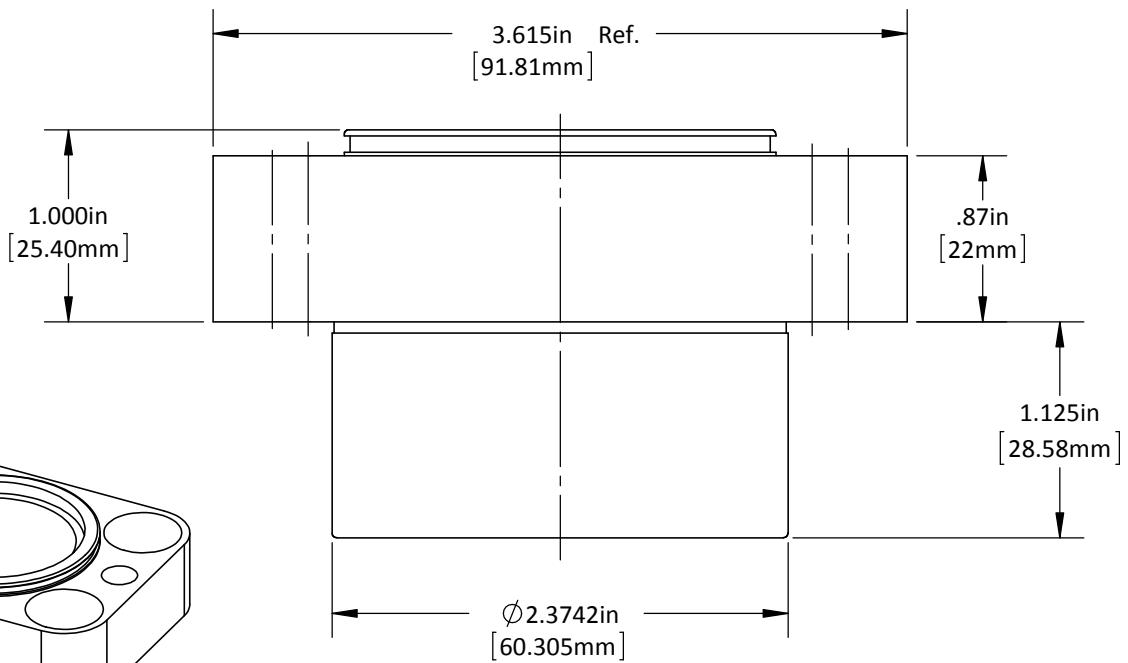
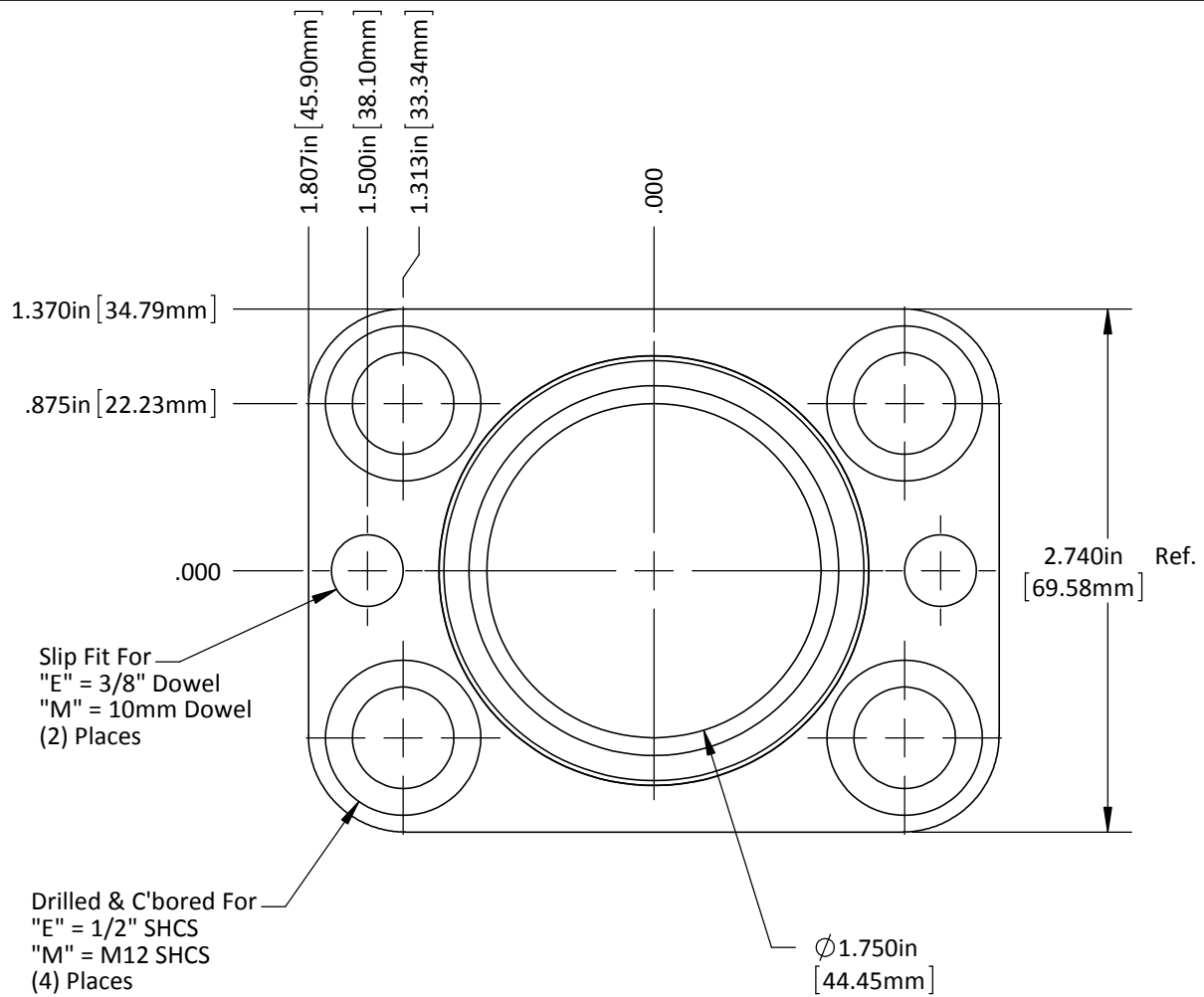


Drill & Ream PF for Dowel
 "E" = ϕ .375in
 "M" = ϕ 10.00mm
 (2) Places



DO NOT SCALE DRAWING | REV 1
 This product may be covered by one or more patents or patent applications.
 See <http://www.standardlifters.com/patents.html> for details.

GK175-A-Base Machining
STANDARD LIFTERS INC

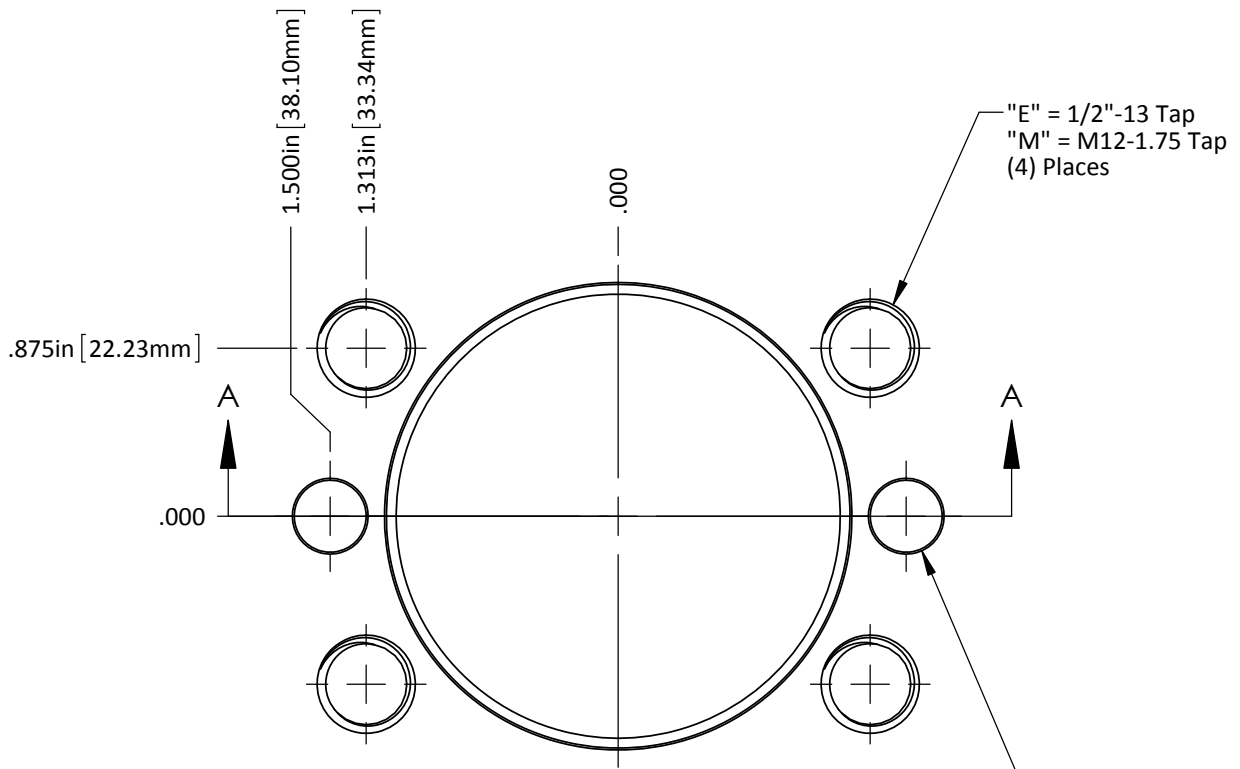


DO NOT SCALE DRAWING | REV 1

This product may be covered by one or more patents or patent applications.
 See <http://www.standardlifters.com/patents.html> for details.

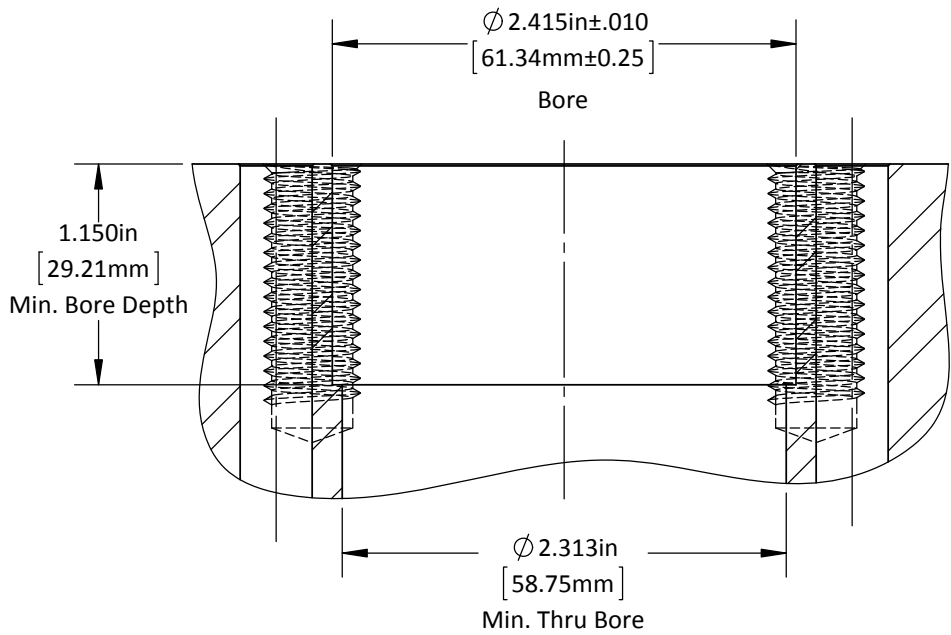
Base-GK175-D2

STANDARD LIFTERS INC



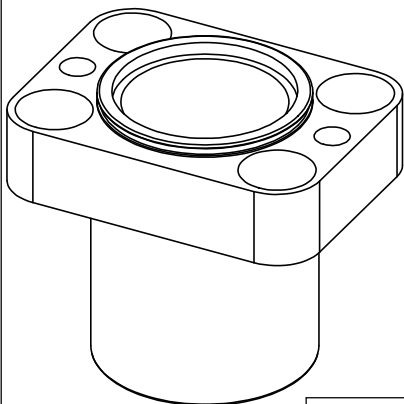
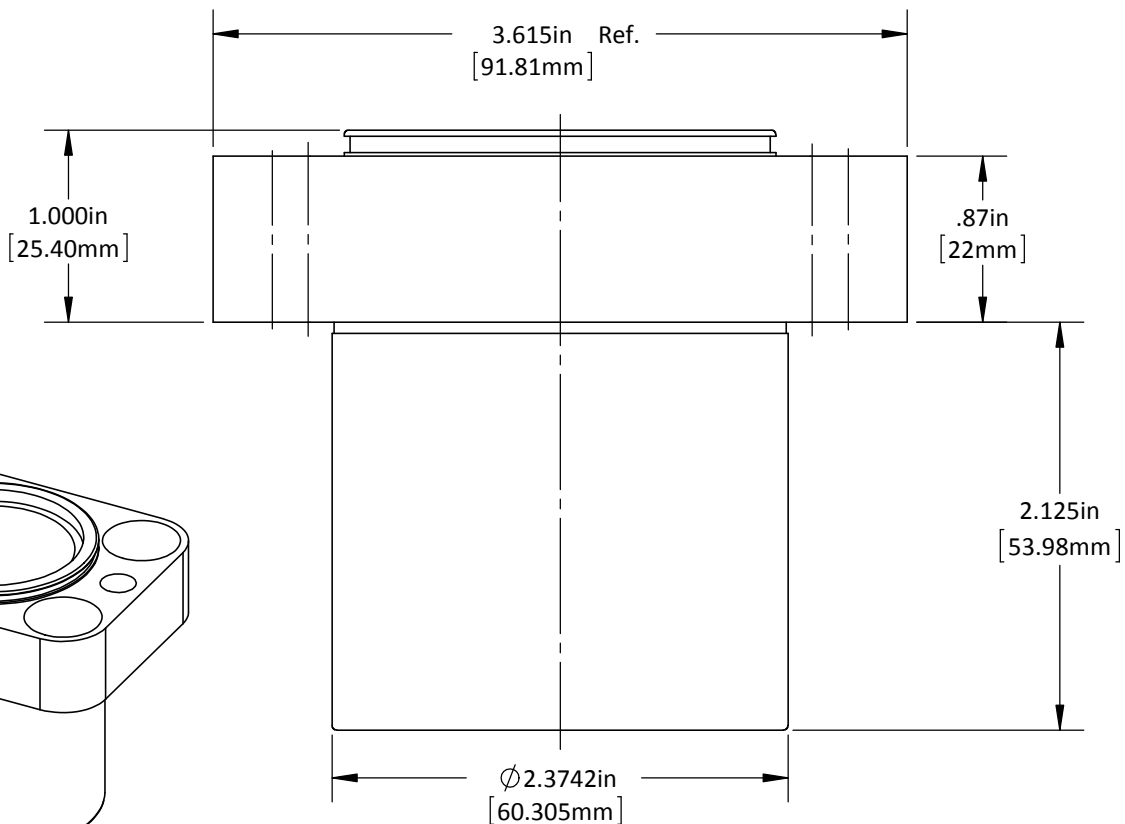
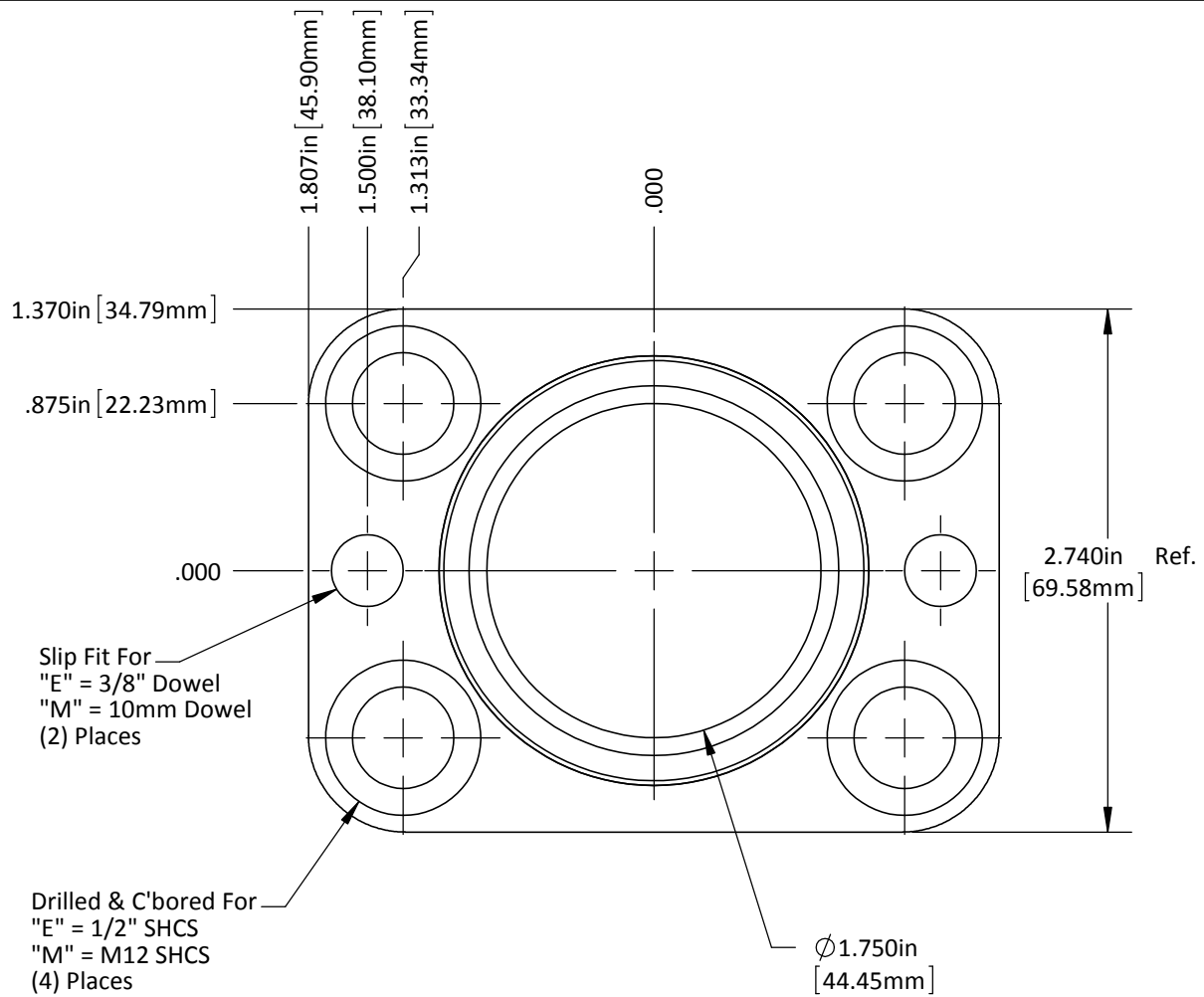
"E" = 1/2"-13 Tap
 "M" = M12-1.75 Tap
 (4) Places

Drill & Ream PF for Dowel
 "E" = $\varnothing .375\text{in}$
 "M" = $\varnothing 10.00\text{mm}$
 (2) Places



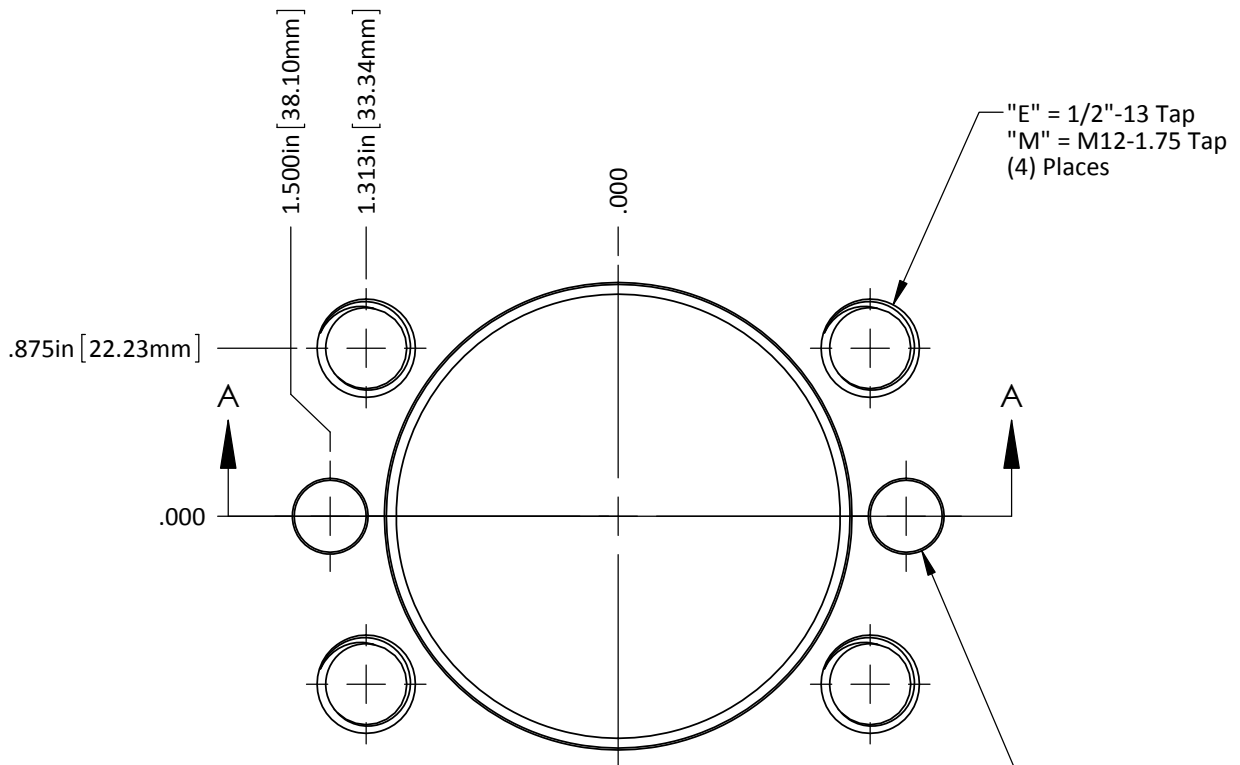
DO NOT SCALE DRAWING | REV 2
 This product may be covered by one or more patents or patent applications.
 See <http://www.standardlifters.com/patents.html> for details.

GK175-D2-Base Machining
STANDARD LIFTERS INC



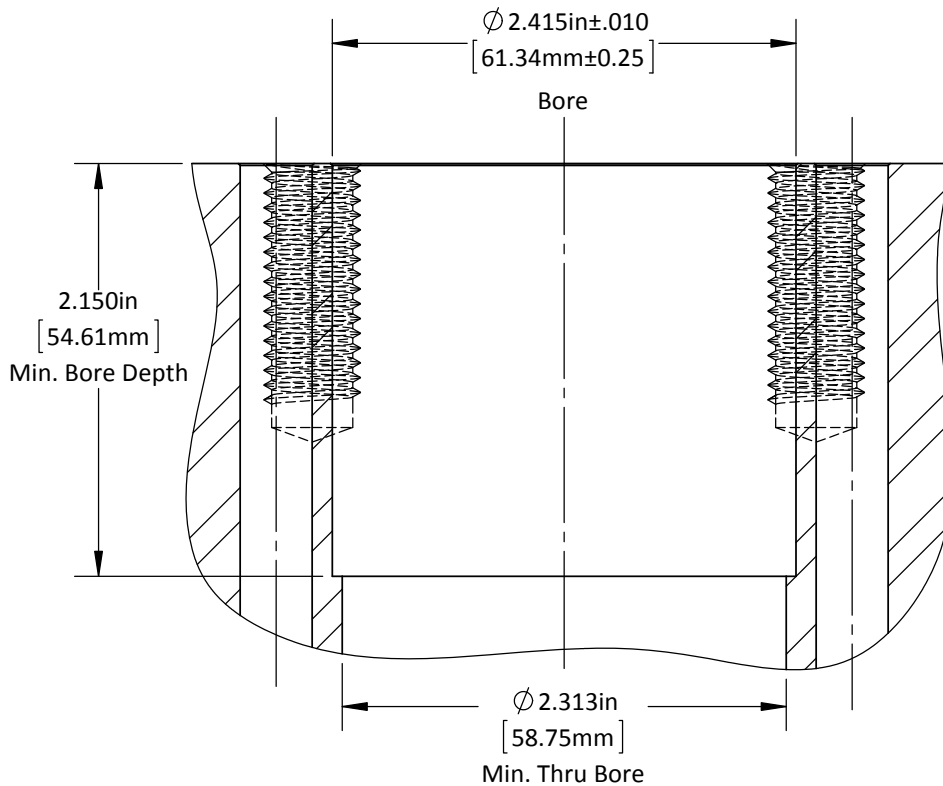
DO NOT SCALE DRAWING | REV 1
 This product may be covered by one or more patents or patent applications.
 See <http://www.standardlifters.com/patents.html> for details.

Base-GK175-D3
STANDARD LIFTERS INC



"E" = 1/2"-13 Tap
 "M" = M12-1.75 Tap
 (4) Places

Drill & Ream PF for Dowel
 "E" = $\varnothing .375\text{in}$
 "M" = $\varnothing 10.00\text{mm}$
 (2) Places



DO NOT SCALE DRAWING	REV 2
This product may be covered by one or more patents or patent applications. See http://www.standardlifters.com/patents.html for details.	

GK175-D3-Base Machining
STANDARD LIFTERS INC