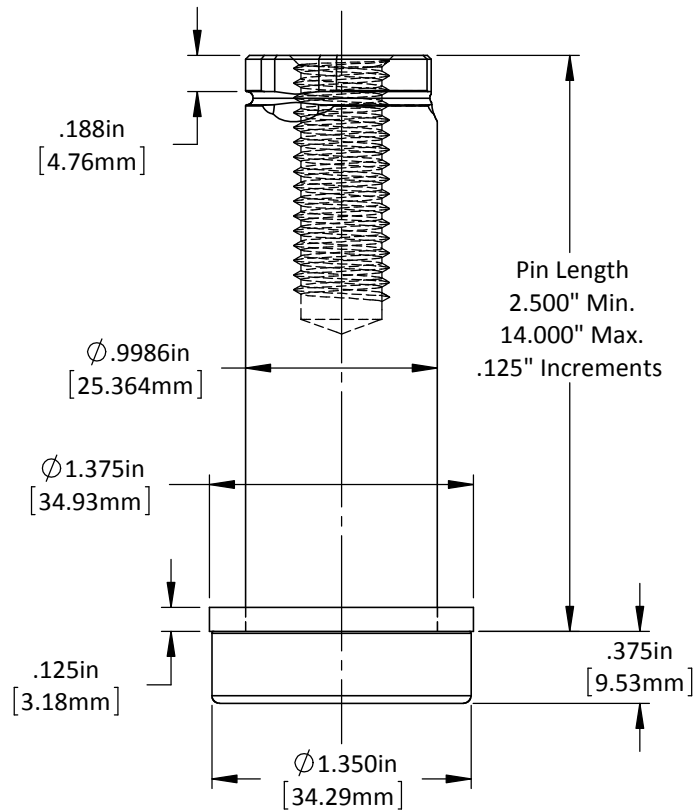
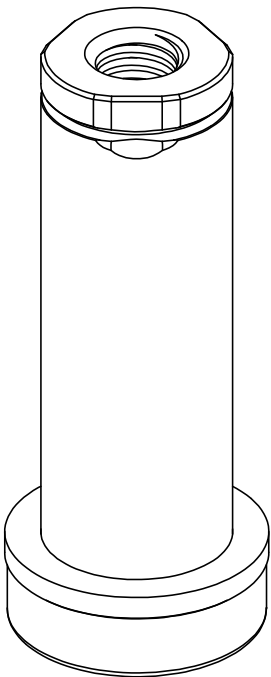


"E" = 1/2"-13 Tap
1.25" Dp.

"M" = M12-1.75 Tap
32mm Dp.

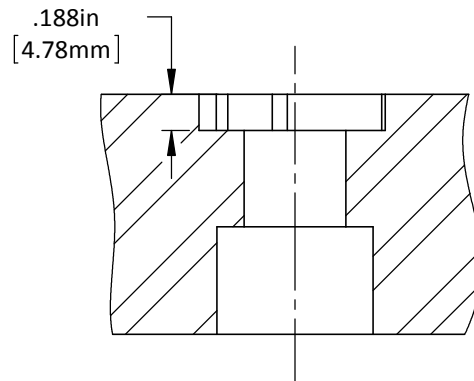
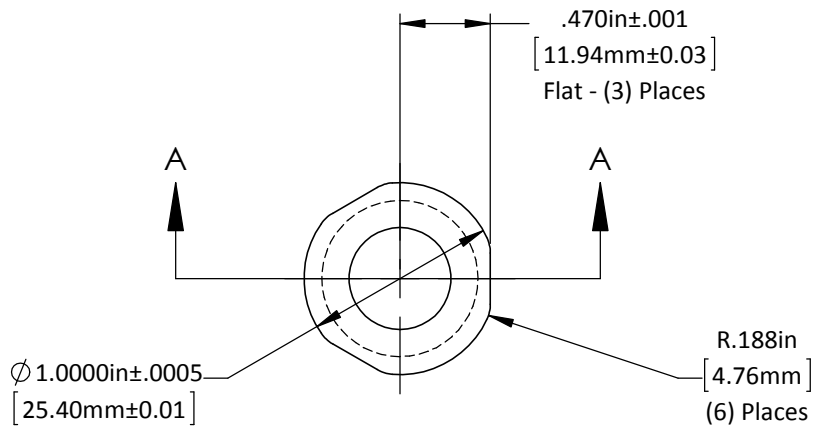


DO NOT SCALE DRAWING REV 1

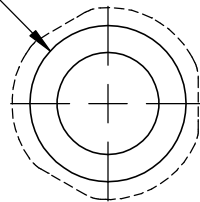
This product may be covered by one or more patents or patent applications.
See <http://www.standardlifters.com/patents.html> for details.

Guide Pin GK105

STANDARD LIFTERS INC

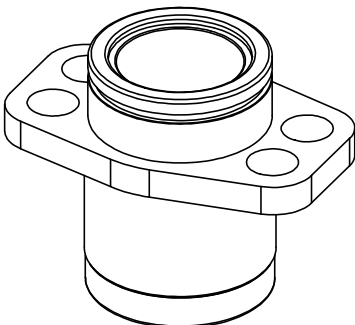
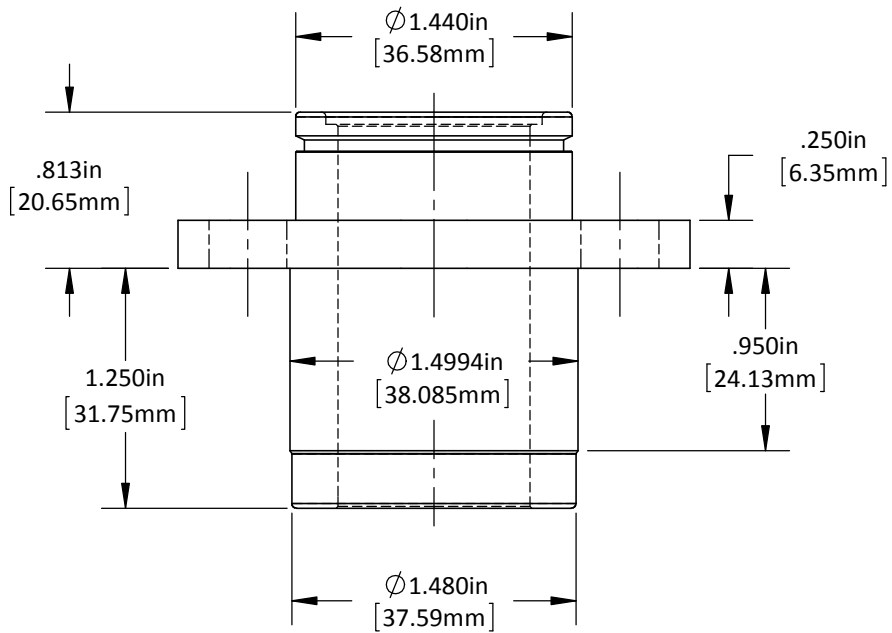
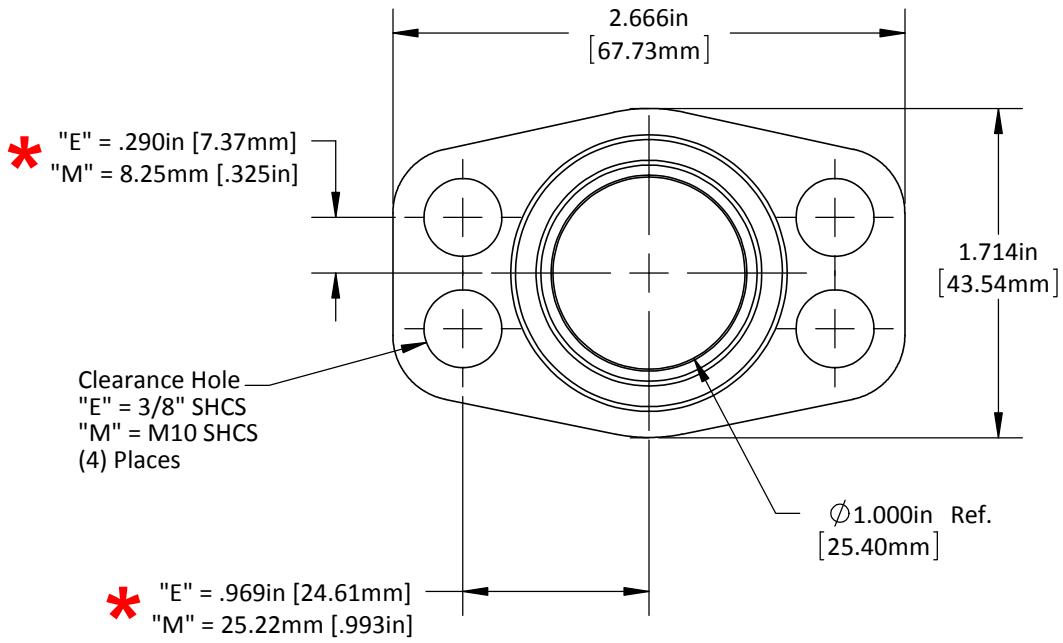


Drill & C'bore For
 "E" = 1/2" SHCS
 "M" = M12 SHCS



DO NOT SCALE DRAWING	REV 1	Guide Pin GK105-Machining STANDARD LIFTERS INC
<small>This product may be covered by one or more patents or patent applications. See http://www.standardlifters.com/patents.html for details.</small>		

***Caution: English & Metric Hole Locations are NOT the Same!**



DO NOT SCALE DRAWING

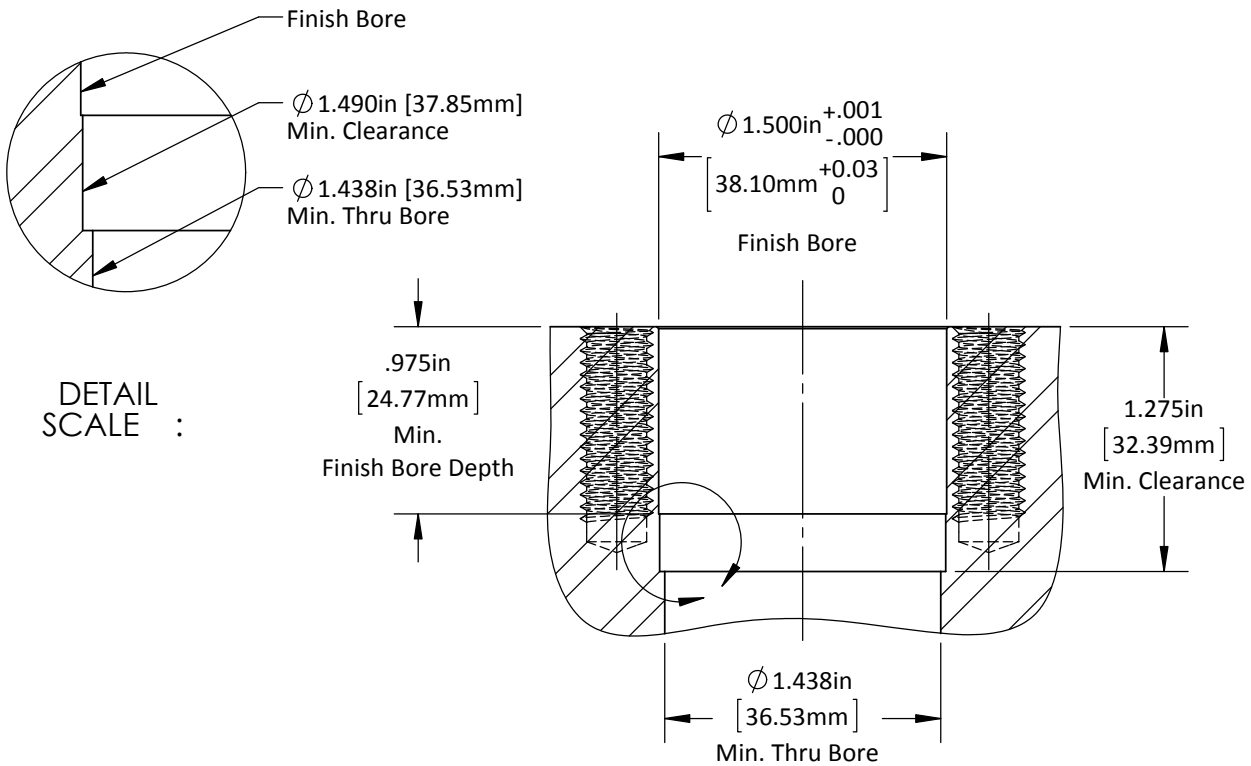
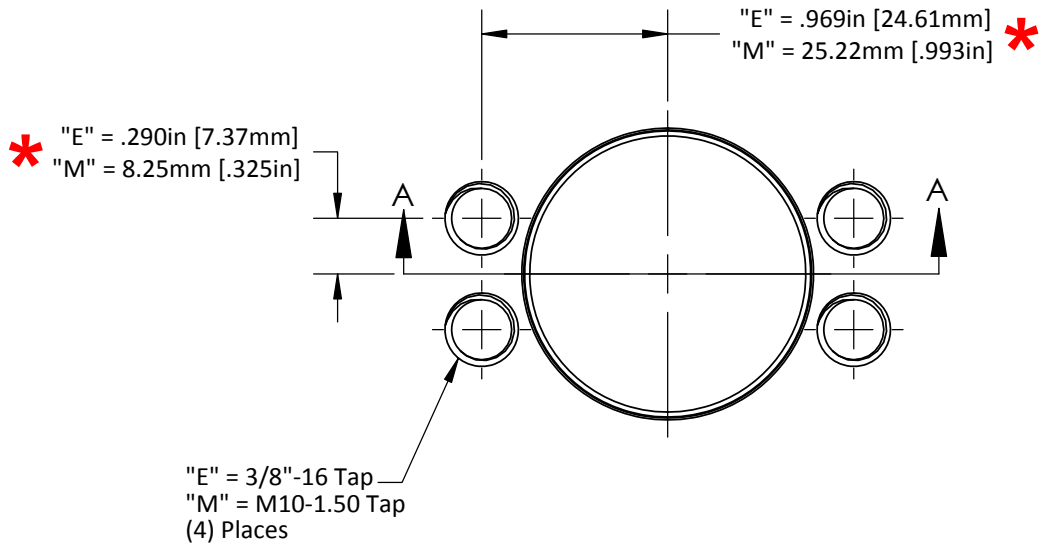
REV 1

This product may be covered by one or more patents or patent applications. See <http://www.standardlifters.com/patents.html> for details.

Base-GK105-L2

STANDARD LIFTERS INC

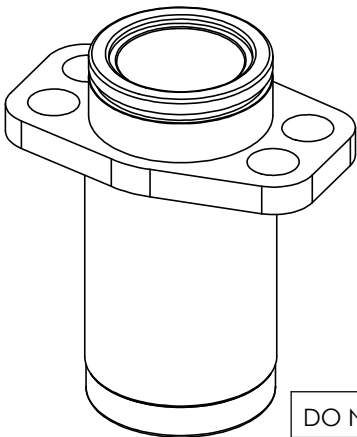
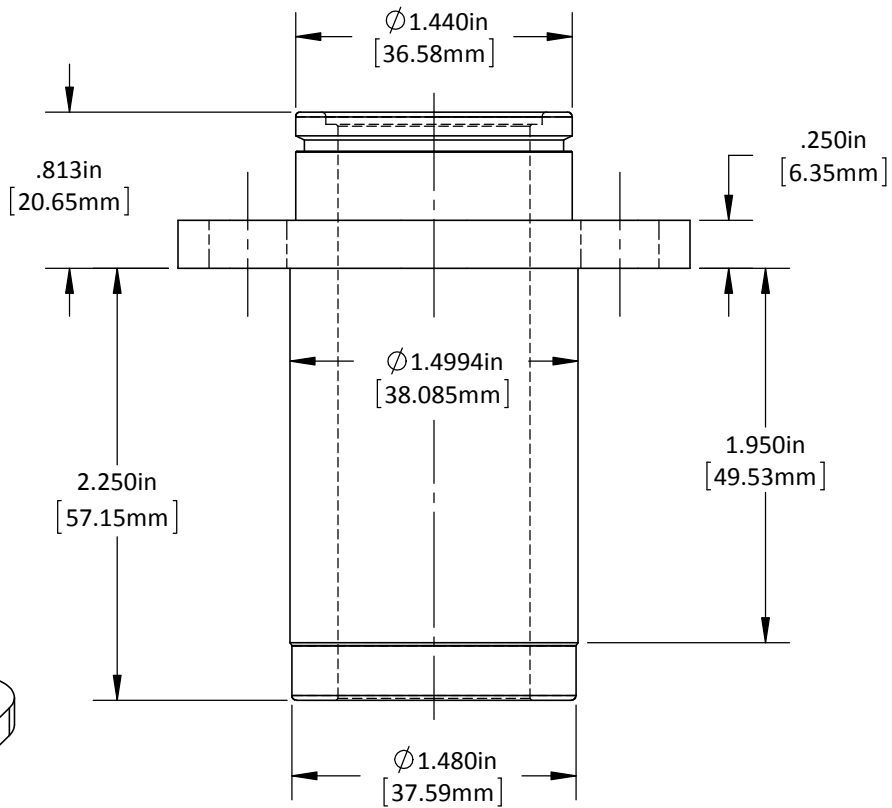
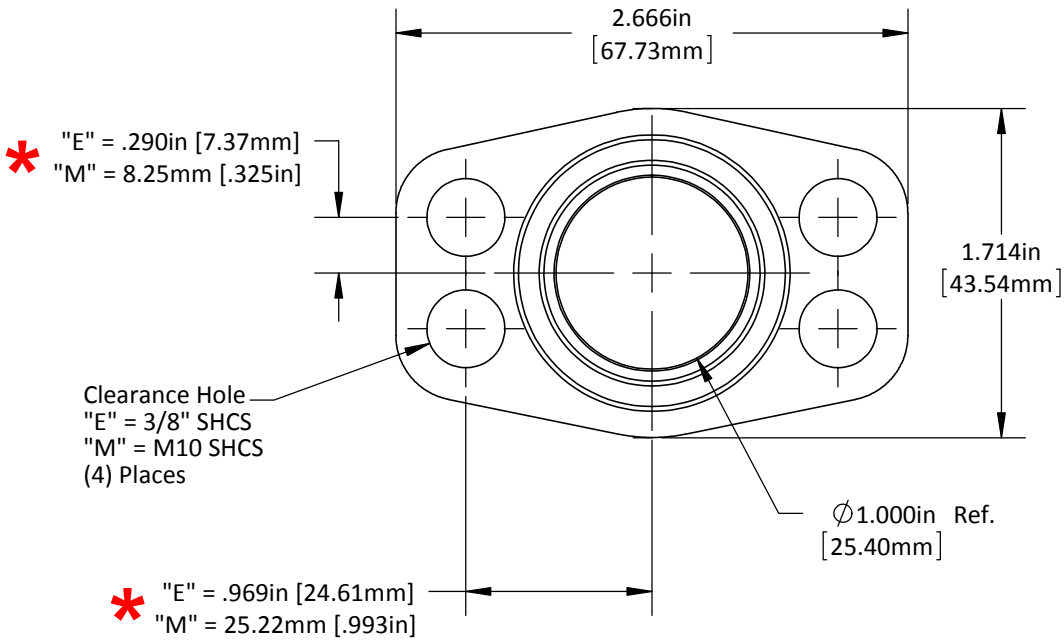
***Caution: English & Metric Hole Locations are NOT the Same!**



DETAIL SCALE :

DO NOT SCALE DRAWING	REV 2	GK105-L2-Base-Machining
This product may be covered by one or more patents or patent applications. See http://www.standardlifters.com/patents.html for details.		

***Caution: English & Metric Hole Locations are NOT the Same!**



DO NOT SCALE DRAWING

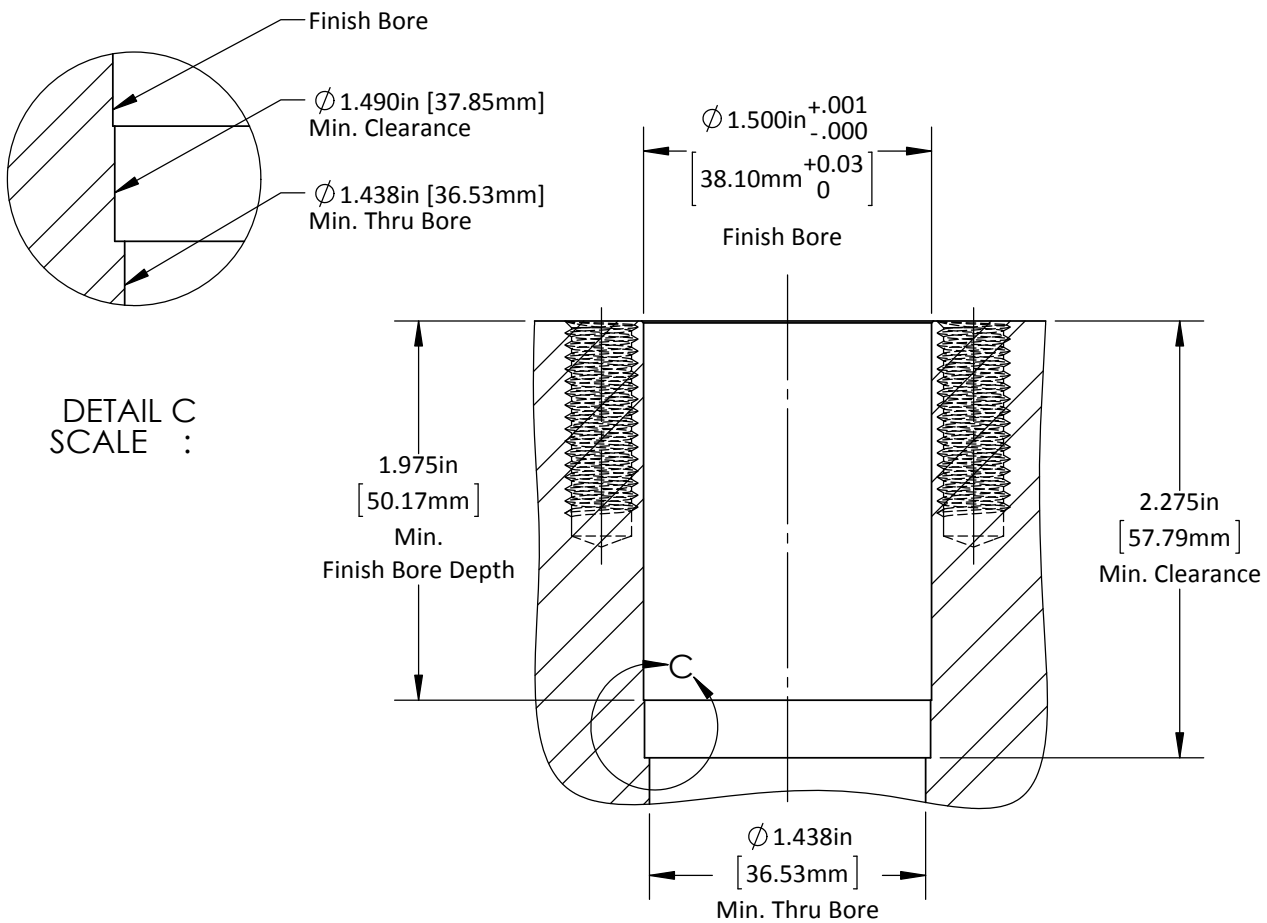
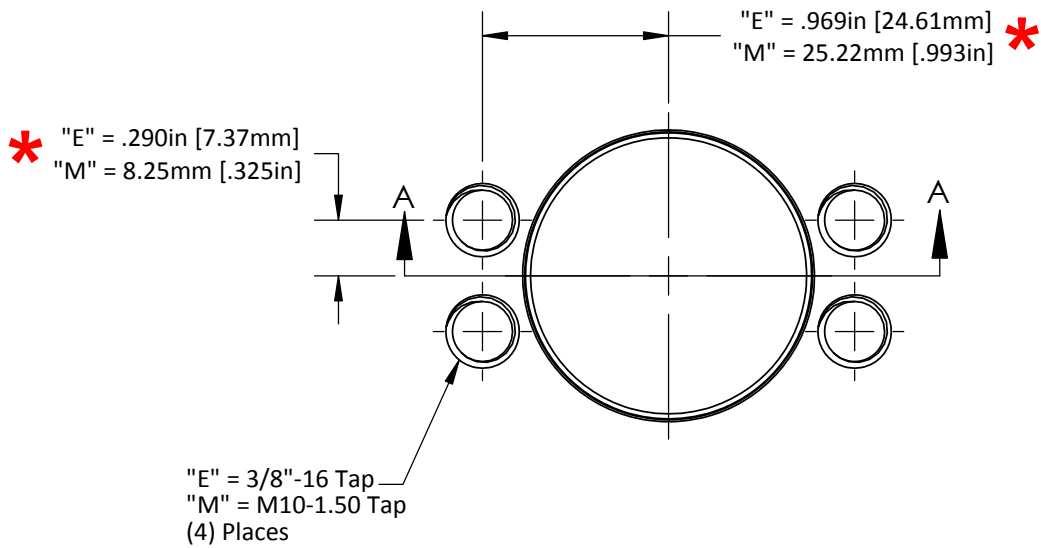
REV 1

This product may be covered by one or more patents or patent applications. See <http://www.standardlifters.com/patents.html> for details.

Base-GK105-L3

STANDARD LIFTERS INC

***Caution: English & Metric Hole Locations are NOT the Same!**



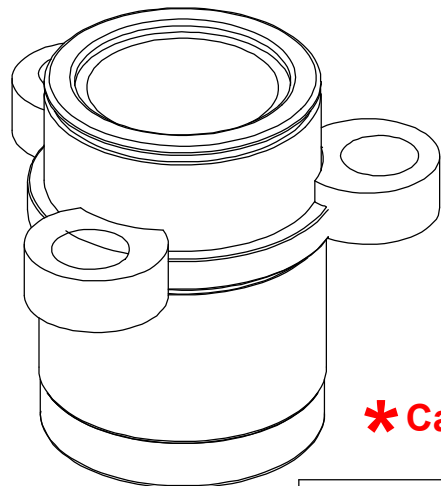
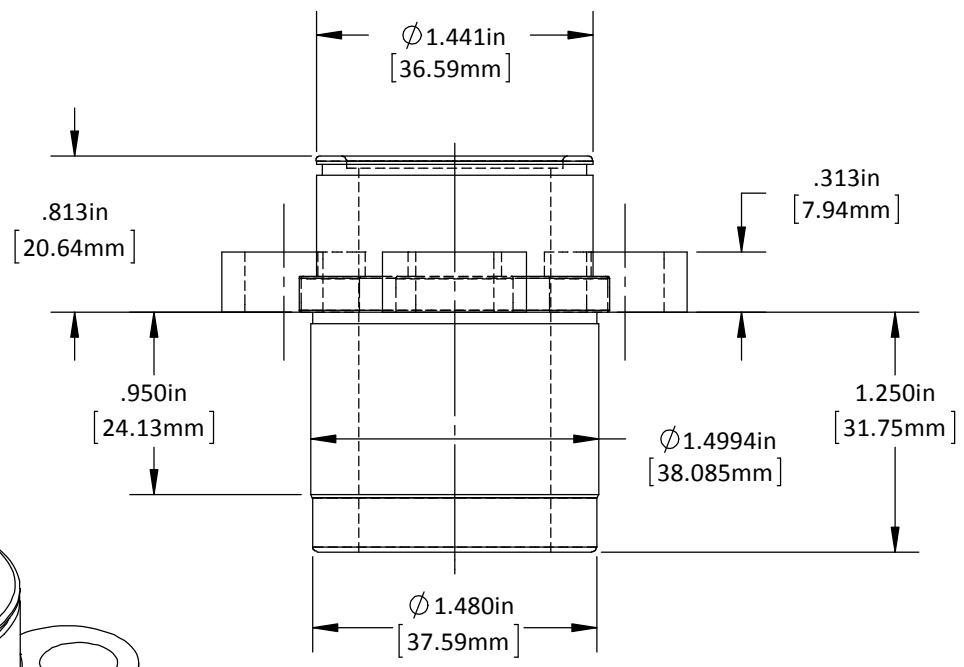
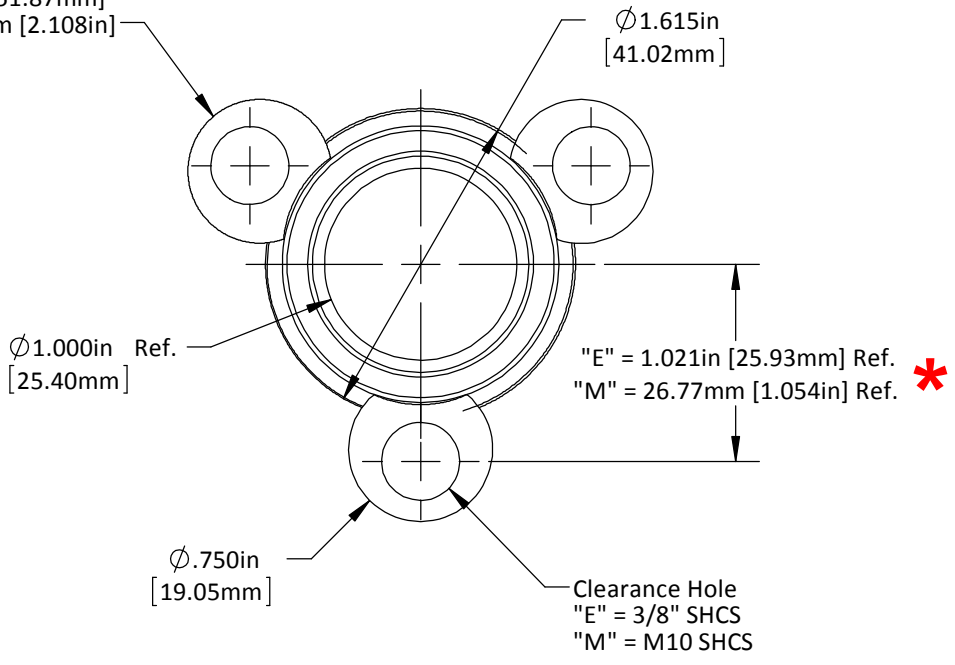
DO NOT SCALE DRAWING	REV 2
This product may be covered by one or more patents or patent applications. See http://www.standardlifters.com/patents.html for details.	

GK105-L3-Base-Machining
STANDARD LIFTERS INC

(3) Flange Clamps on Bolt Circle:

"E" = 2.042in [51.87mm]

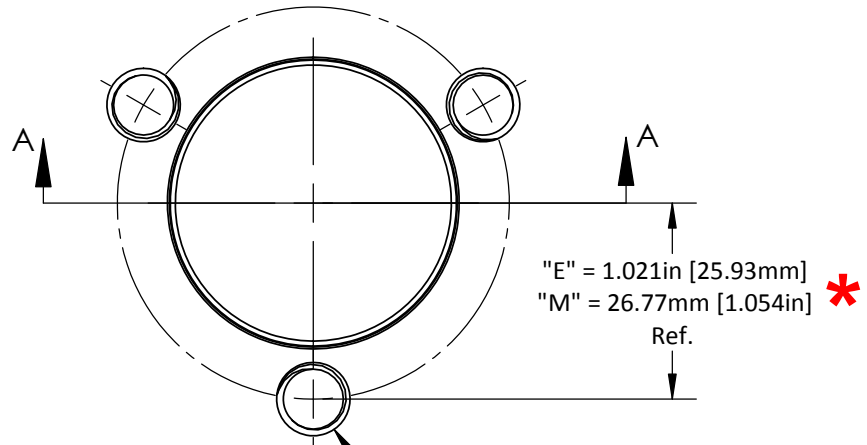
"M" = 53.54mm [2.108in]



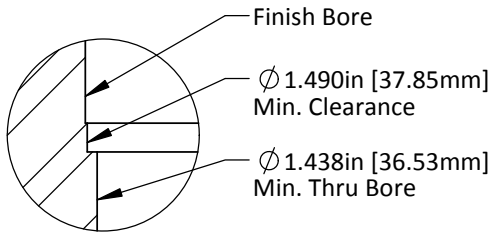
*** Caution: English & Metric Hole Locations are NOT the Same!**

DO NOT SCALE DRAWING	REV 2	Base-GK105-H2
This product may be covered by one or more patents or patent applications. See http://www.standardlifters.com/patents.html for details.		

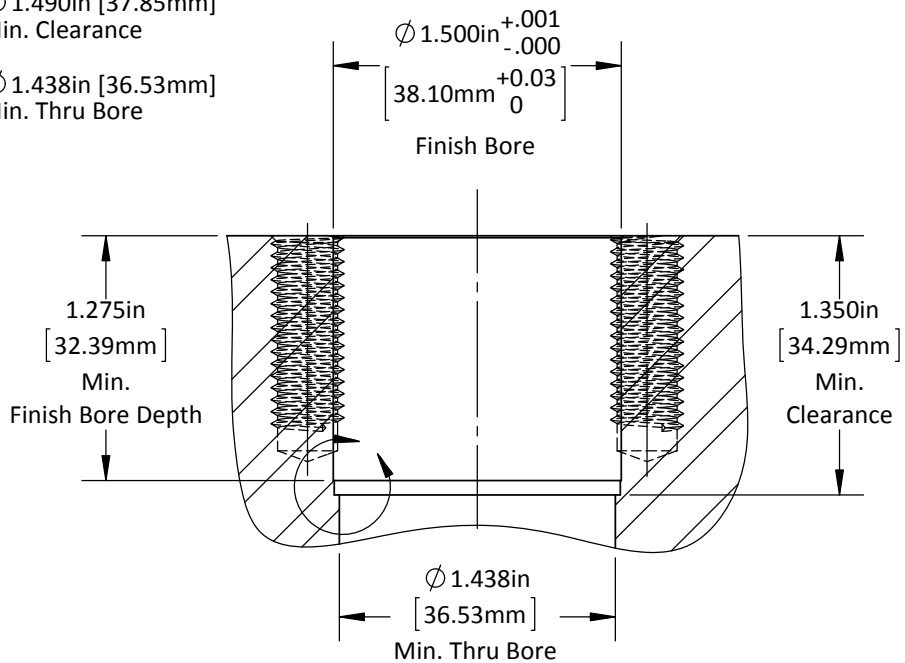
*** Caution: English & Metric Hole Locations are NOT the Same!**



"E" = 3/8"-16 Tap
 "M" = M10-1.50 Tap
 * (3) Places on a Bolt Circle
 "E" = 2.042in [51.87mm]
 "M" = 53.54mm [2.108in]



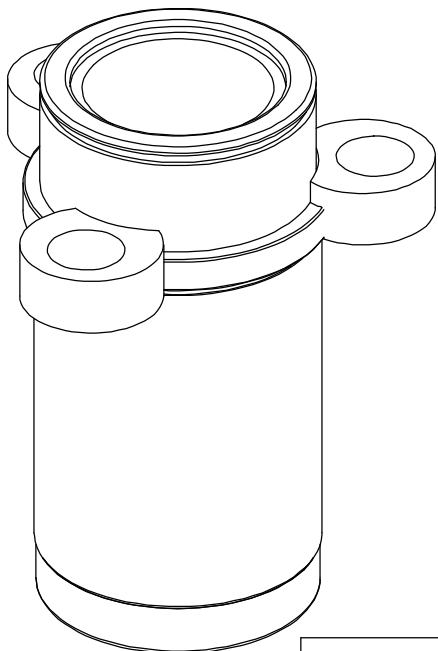
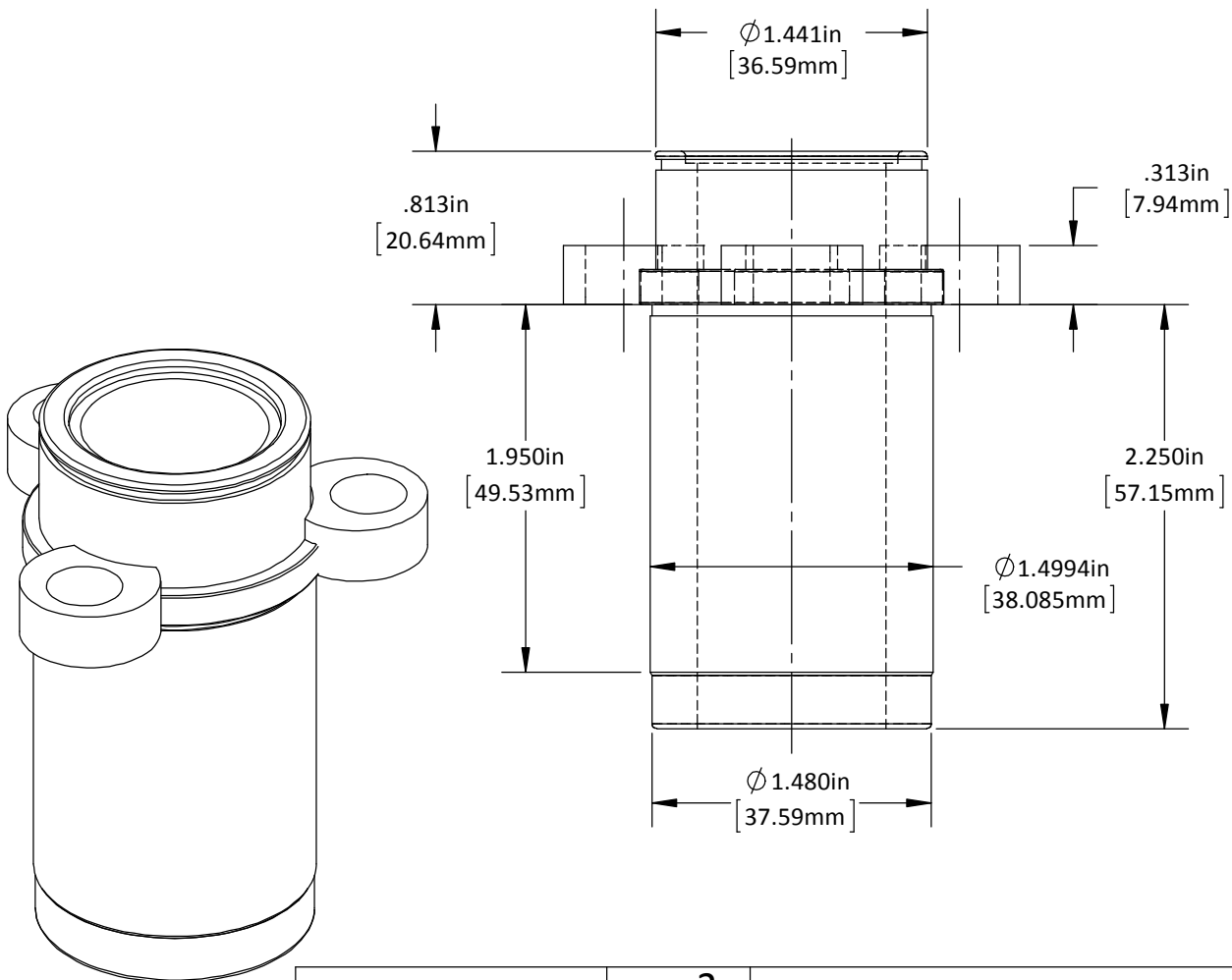
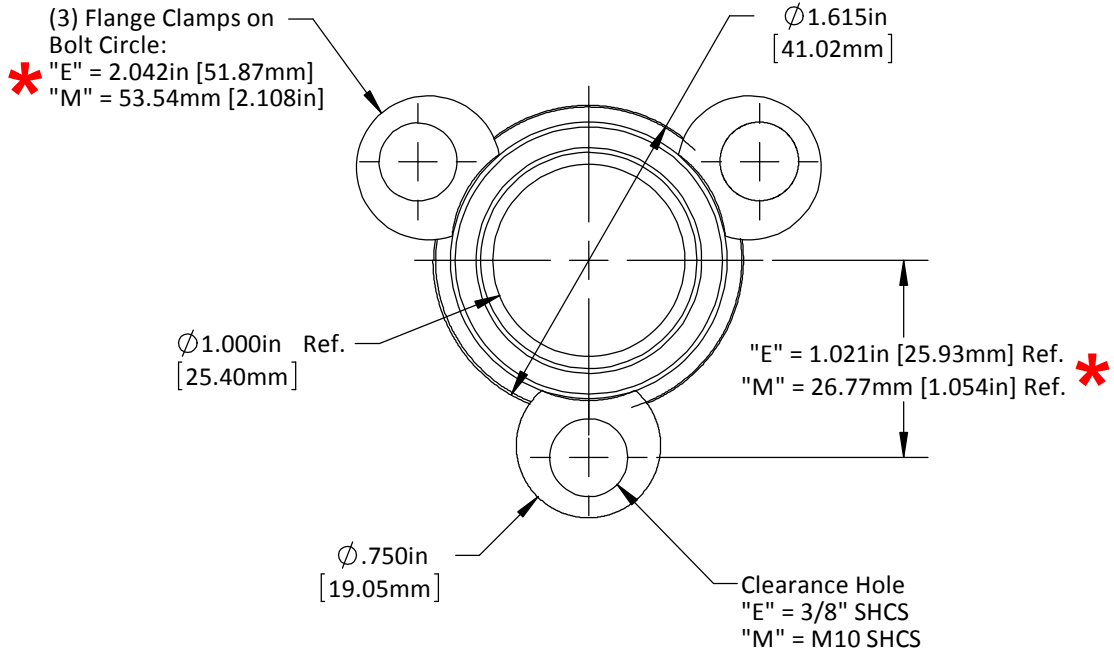
DETAIL SCALE :



DO NOT SCALE DRAWING	REV 2
This product may be covered by one or more patents or patent applications. See http://www.standardlifters.com/patents.html for details.	

GK105-H2-Base-Machining
STANDARD LIFTERS INC

*** Caution: English & Metric Hole Locations are NOT the Same!**



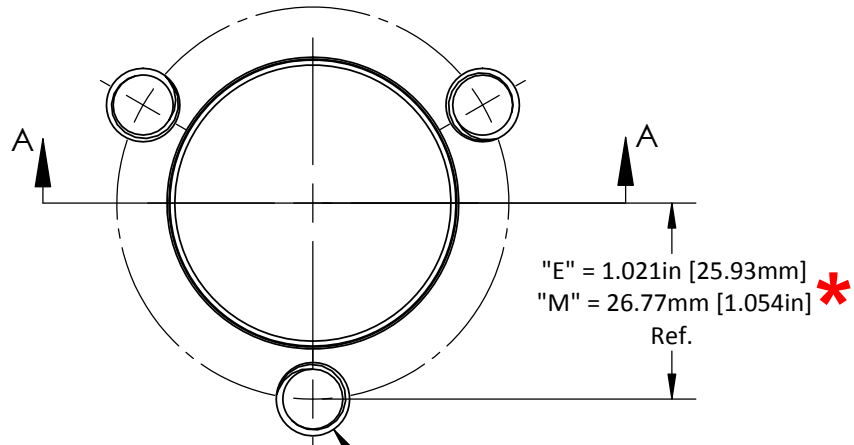
DO NOT SCALE DRAWING REV 2

This product may be covered by one or more patents or patent applications.
 See <http://www.standardlifters.com/patents.html> for details.

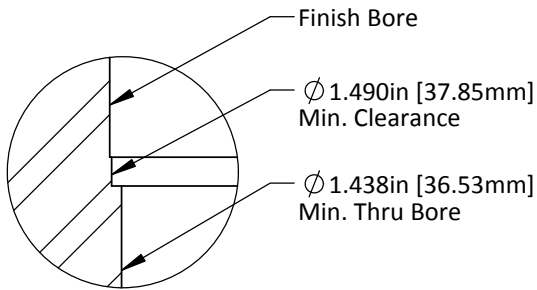
Base-GK105-H3

STANDARD LIFTERS INC

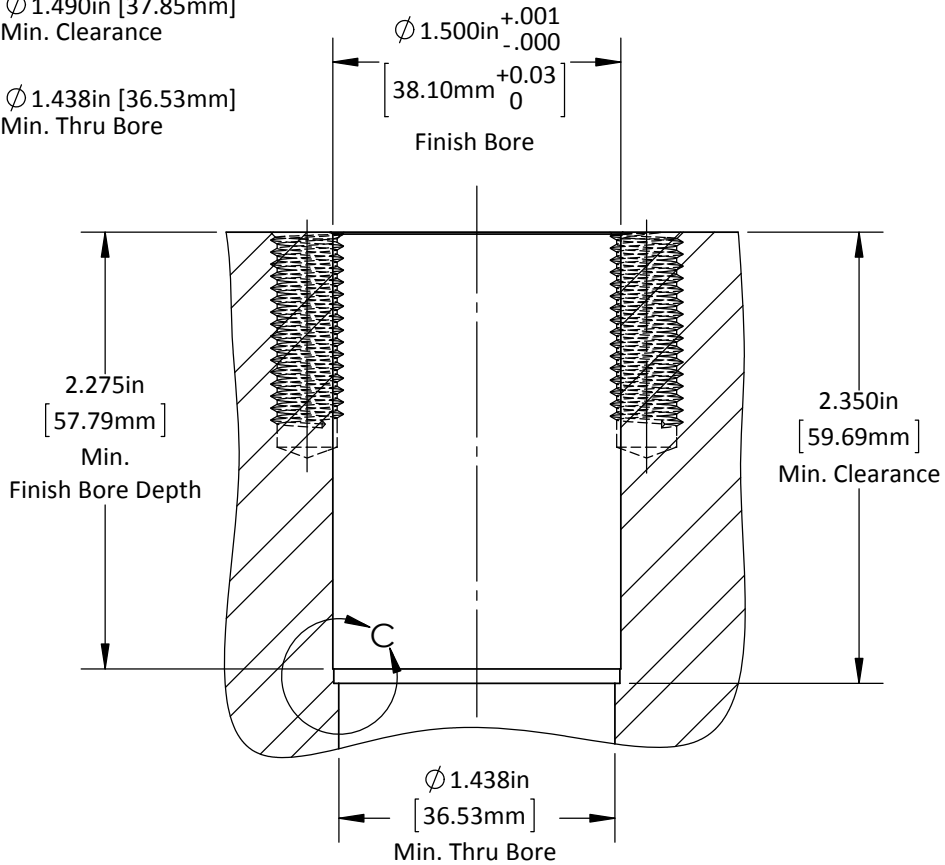
*** Caution: English & Metric Hole Locations are NOT the Same!**



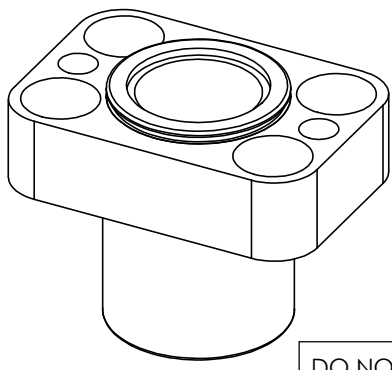
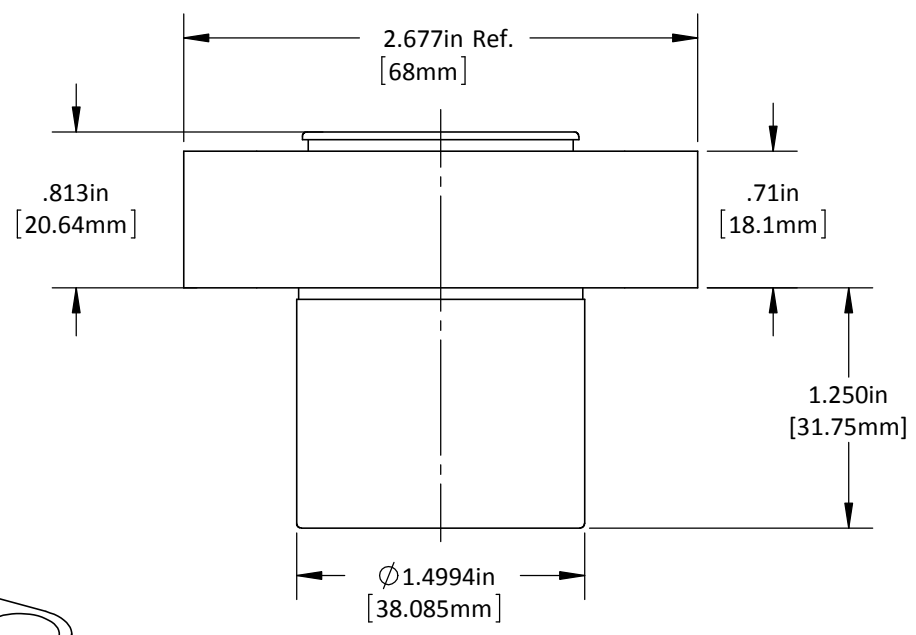
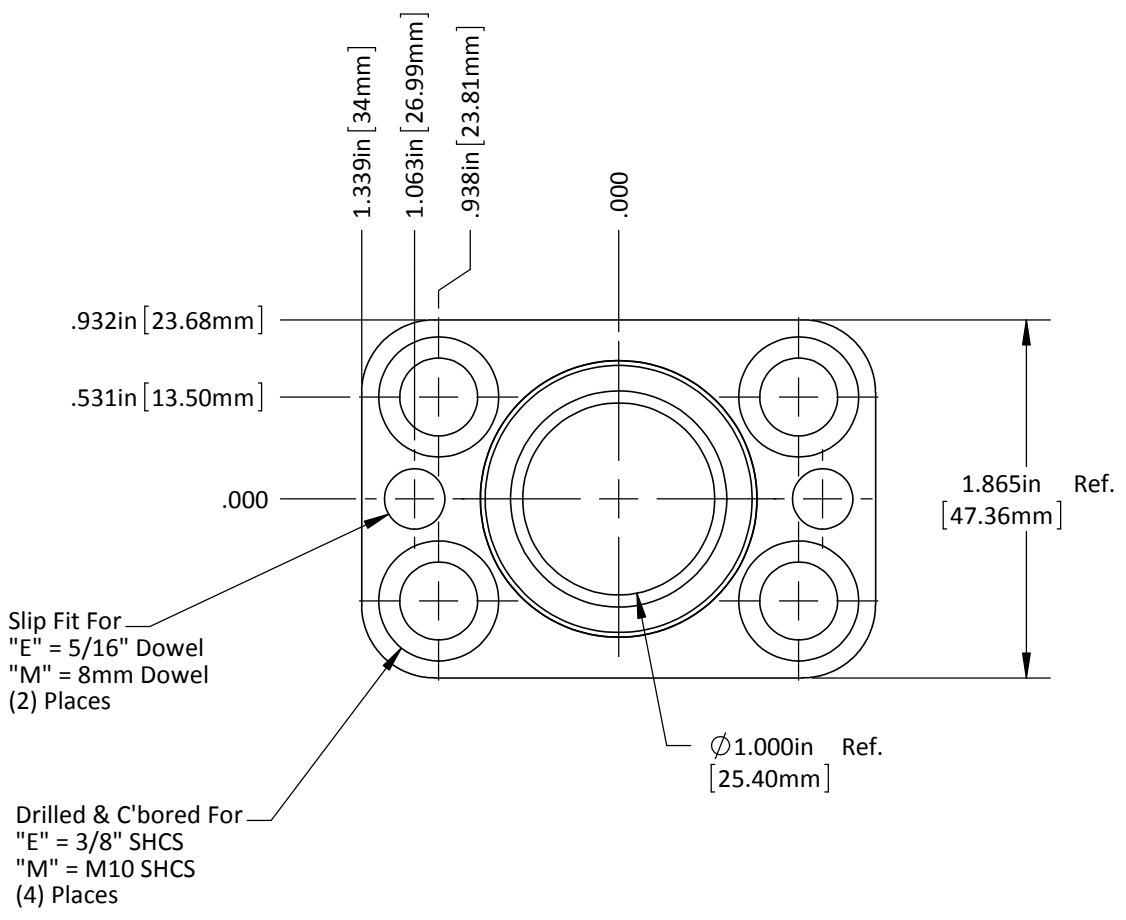
* "E" = 3/8"-16 Tap
 "M" = M10-1.50 Tap
 (3) Places on a Bolt Circle
 "E" = 2.042in [51.87mm]
 "M" = 53.54mm [2.108in]



DETAIL C
 SCALE :

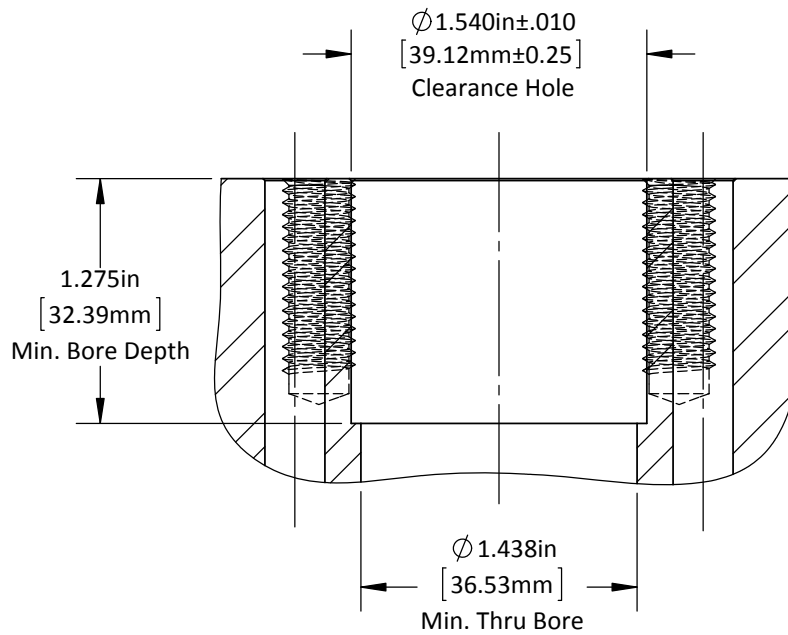
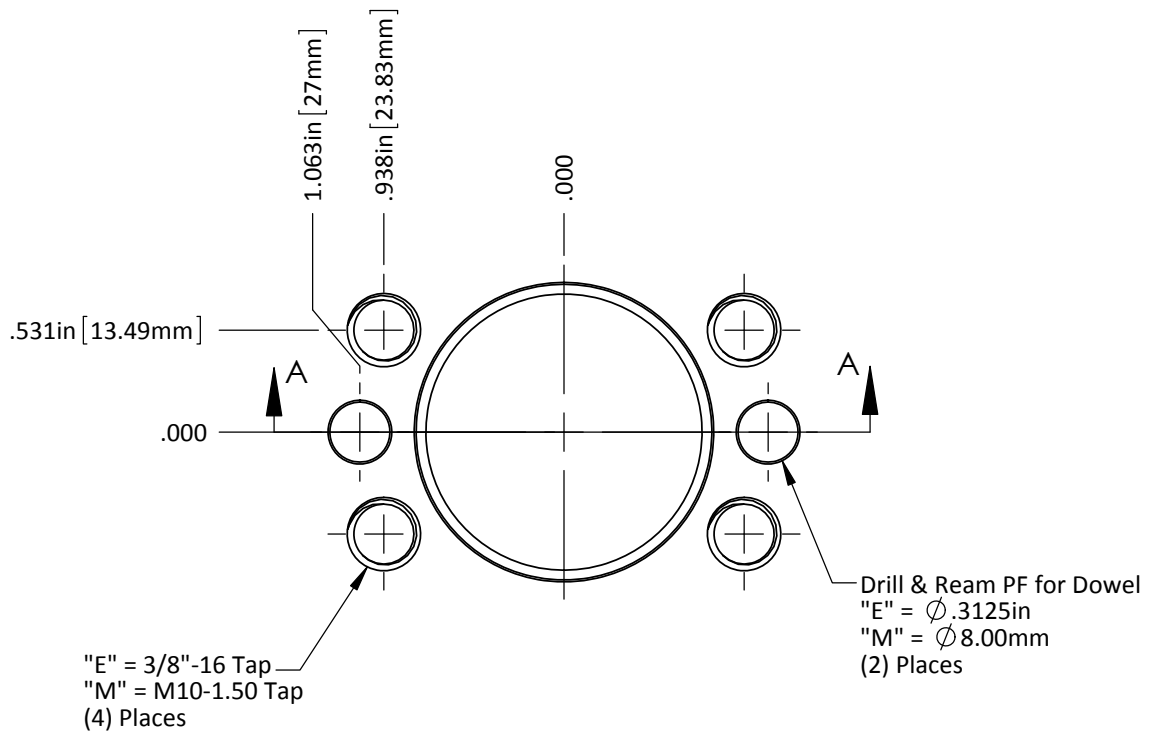


DO NOT SCALE DRAWING	REV 2	GK105-H3-Base-Machining
This product may be covered by one or more patents or patent applications. See http://www.standardlifters.com/patents.html for details.		



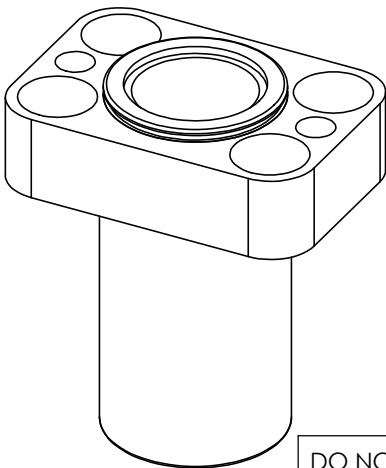
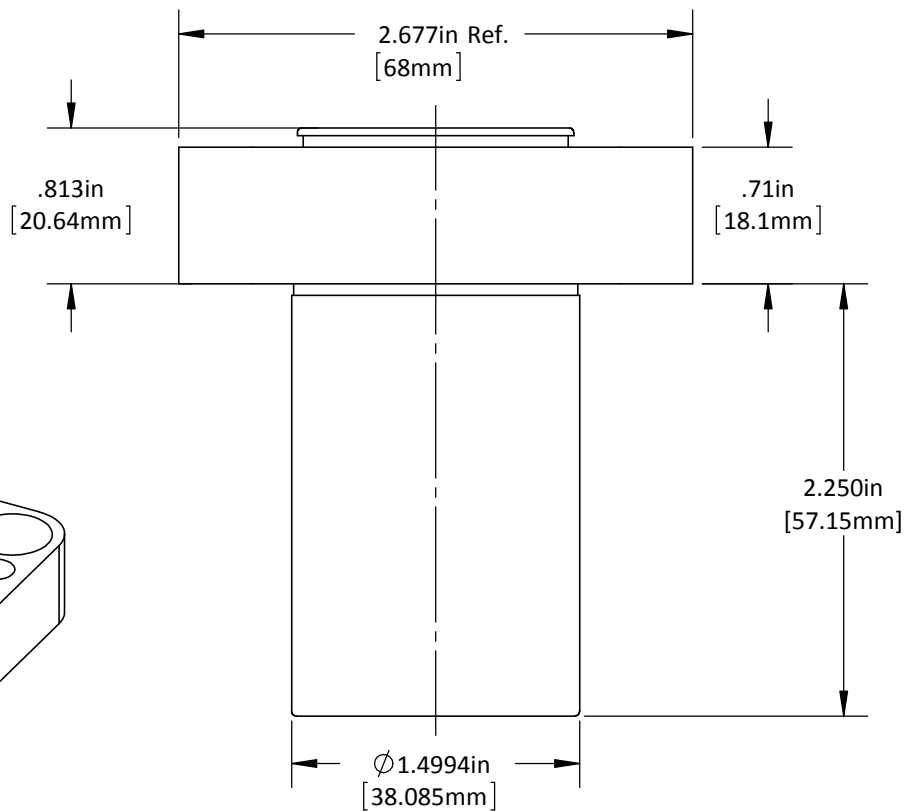
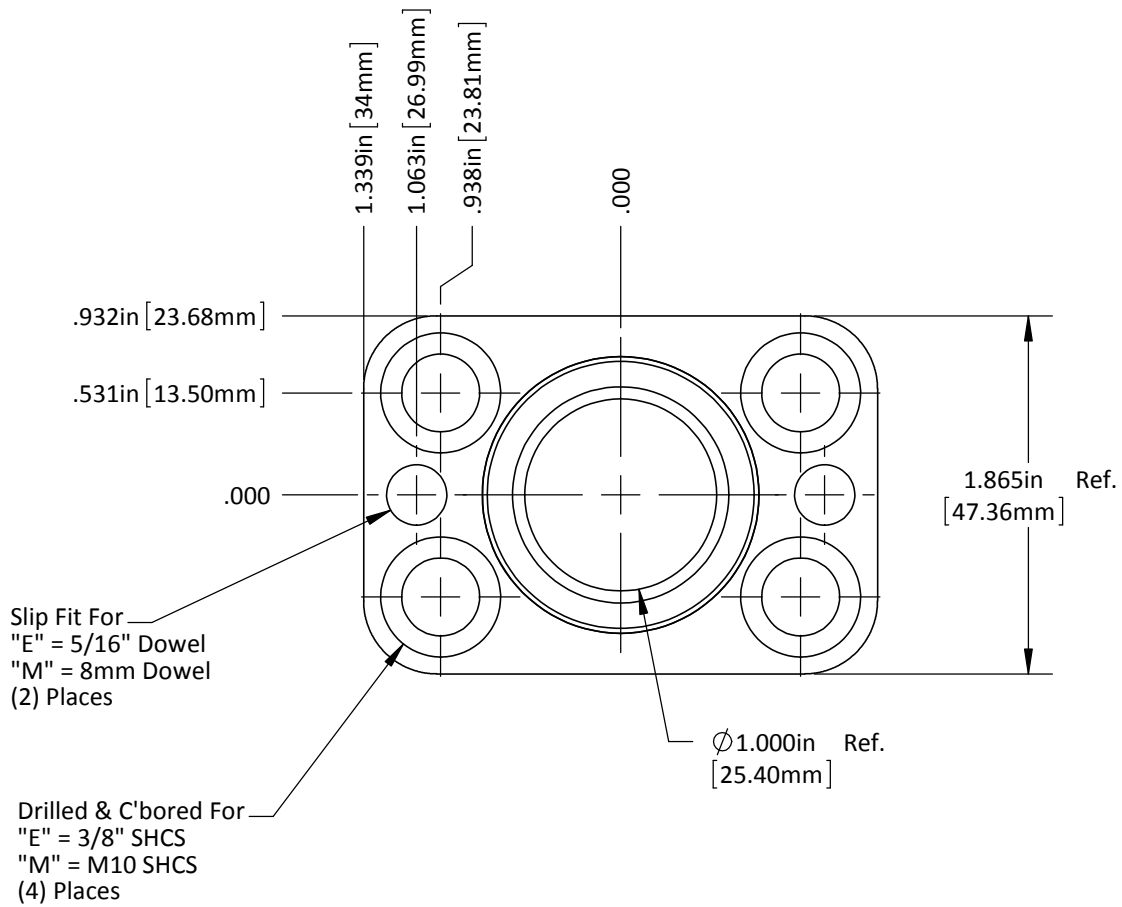
DO NOT SCALE DRAWING REV 1
 This product may be covered by one or more patents or patent applications.
 See <http://www.standardlifters.com/patents.html> for details.

Base-GK105-D2
STANDARD LIFTERS INC



DO NOT SCALE DRAWING	REV 2
This product may be covered by one or more patents or patent applications. See http://www.standardlifters.com/patents.html for details.	

GK105-D2-Base-Machining
STANDARD LIFTERS INC



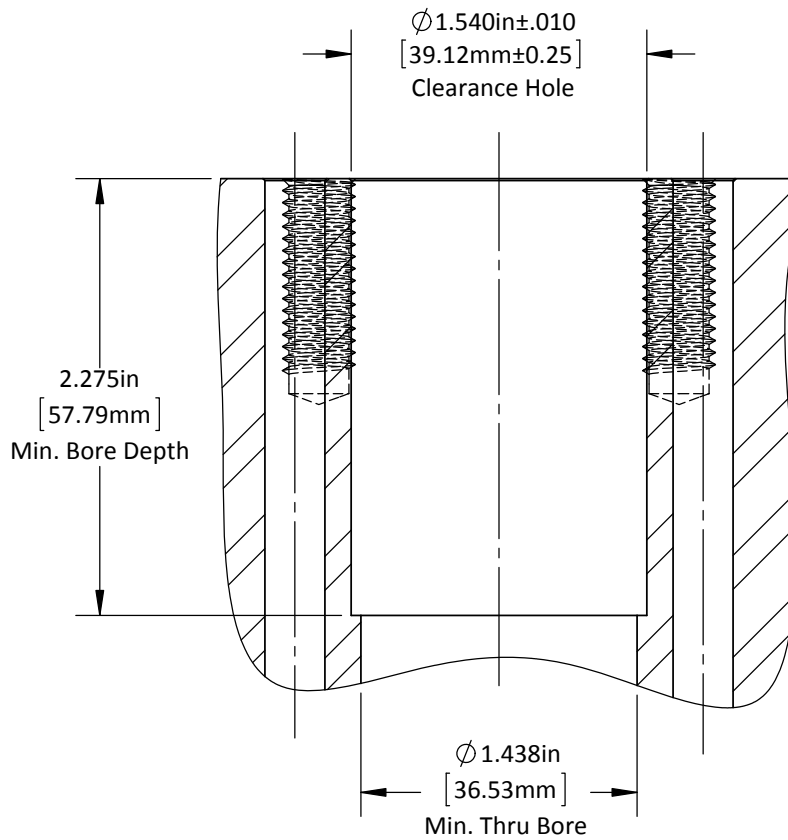
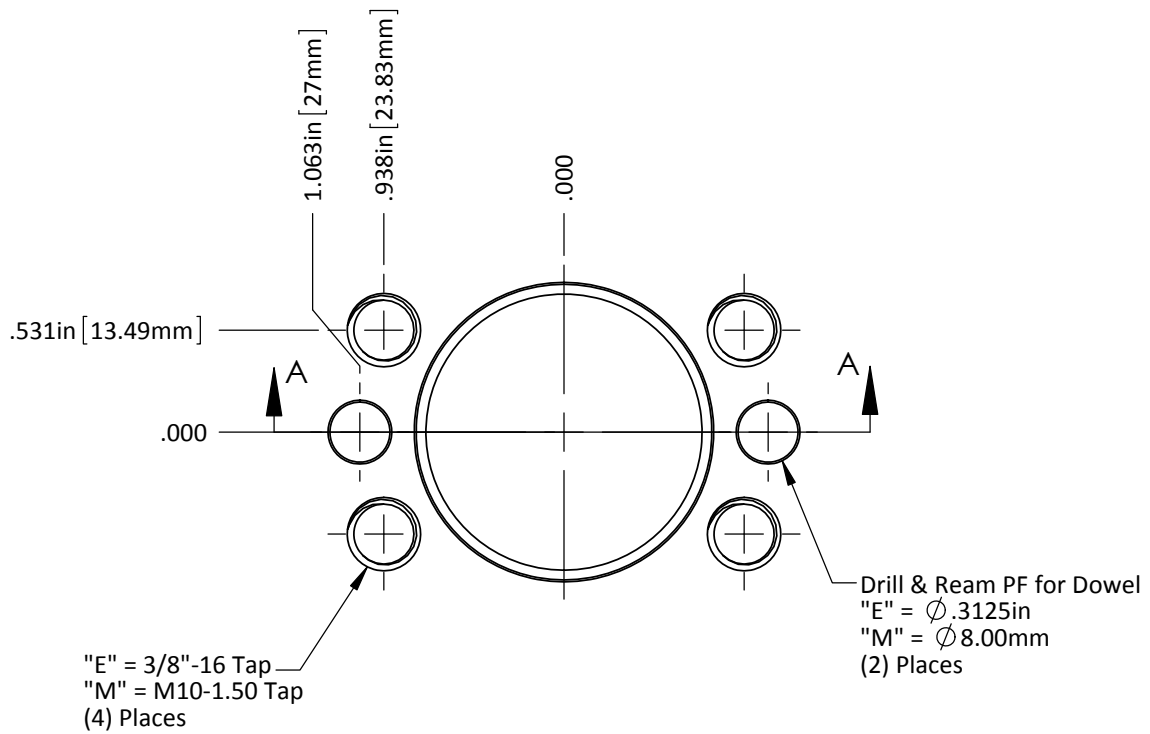
DO NOT SCALE DRAWING

REV 1

This product may be covered by one or more patents or patent applications.
See <http://www.standardlifters.com/patents.html> for details.

Base-GK105-D3

STANDARD LIFTERS INC



DO NOT SCALE DRAWING

REV 2

This product may be covered by one or more patents or patent applications.
See <http://www.standardlifters.com/patents.html> for details.

GK105-D3-Base-Machining

STANDARD LIFTERS INC