

STANDARD LIFTERS

MAKING INNOVATION THE STANDARD



MSR - Modular Spring Retainer

What do you mean a "bolt on" flat bottom hole?

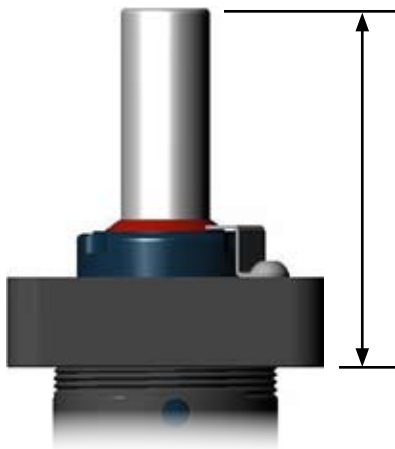
How many extra parallels or "backup" blocks do you have in your dies just to retain springs?

Prices Starting at \$25

* In most cases you will pay for the units in steel savings alone!

Question:

How is this different than other gas spring mounts?



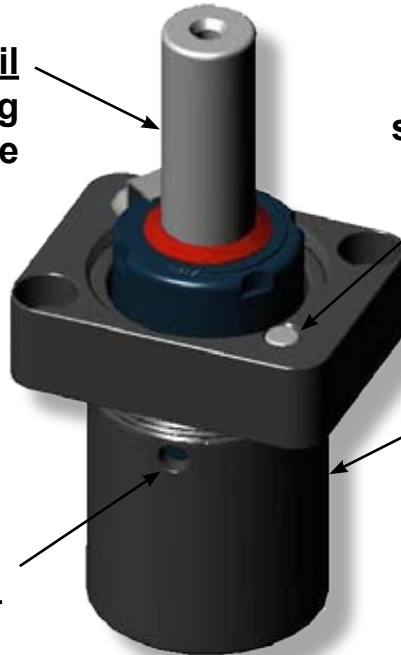
Answer:

The distance from the rod end and the mounting surface is an infinite variable not a firm single dimension.

(no shims or machining pockets needed)

Design Features and Benefits

Gas or Coil Spring can be used

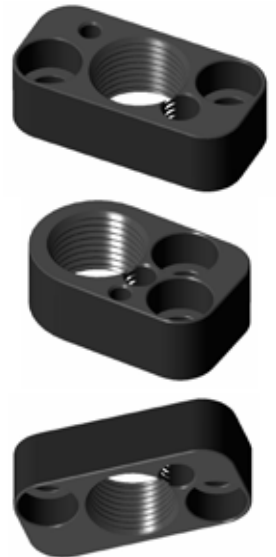


Locking Dowel creates a semipermanent assembly

Threaded Spring Can allows for adjustment by the diemaker at the time of installation

Built in Drain

Different Base styles available

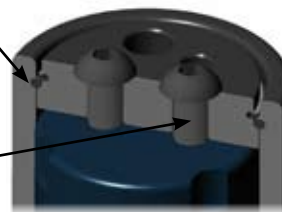


Your choice of 2 gas spring retention options

Quick Disconnect:

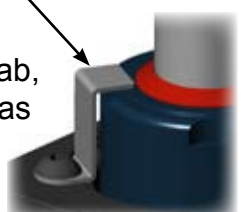
The spring and plug assembly can be "snapped" in and out with no tools required

The Spring Can Plug is fastened to the gas spring



Catch Tab:

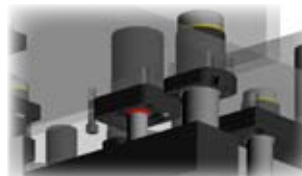
The spring is retained by a sheet metal tab, cut and bent as required by the diemaker



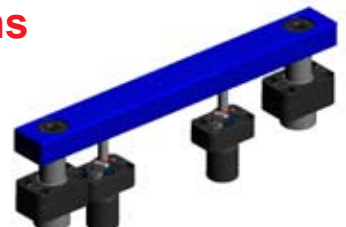
Common Applications



Stripper Pads



Form Pads



Lifter Rails

See additional information at www.standardlifters.com

