

STANDARD LIFTERS

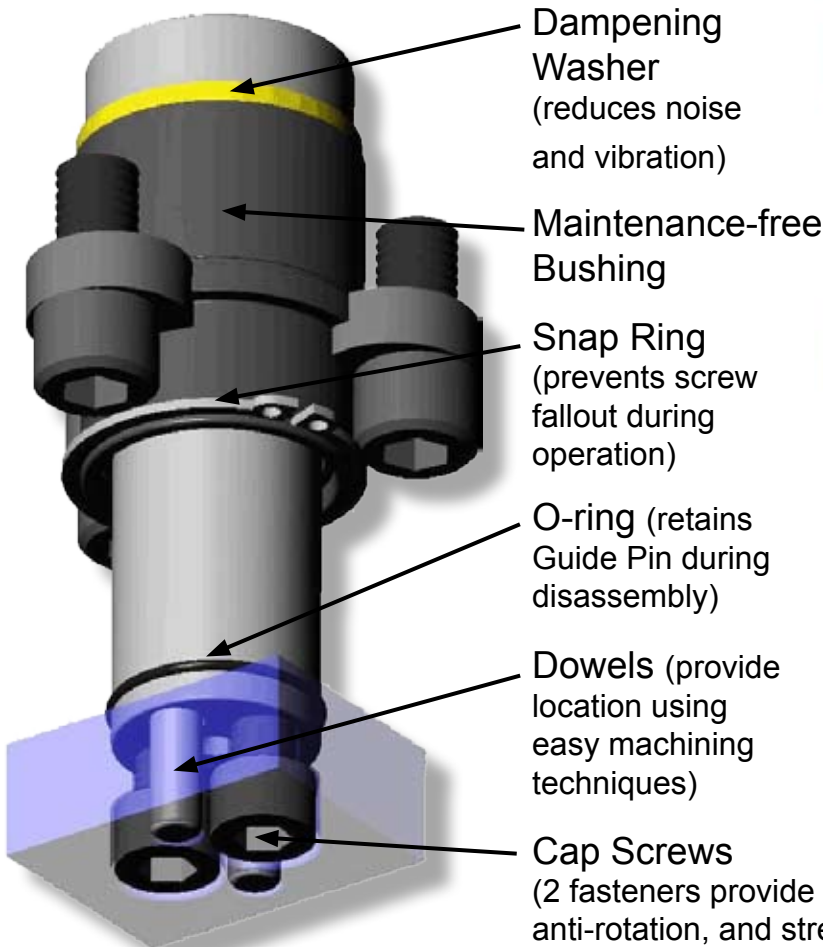
MAKING INNOVATION THE STANDARD



Guided Keepers VS. Pins & Spools

ALL IN ONE ... Save Space ... Save Time ... Save Money

Example: 1.25" Diameter Pins - 6" Long



Up Front Cost - Comparison

Guided Keeper System
GK120-H2 Assembly

Total Cost = \$116.50

Starting Price = \$94 + \$0.75 per .125" of additional Guide Pin length

Pins, Bushings, Spools

Total Cost = \$121.85

- Guide Pin = \$45.75
- Bushing = \$57.25
- Pad Retainer (Spool) = \$18.85

Your up front costs are one thing ... your labor (payroll) is another ... don't make the mistake of looking at only your upfront costs (purchasing) ... those succeeding today are reducing their labor costs ... not only purchasing costs