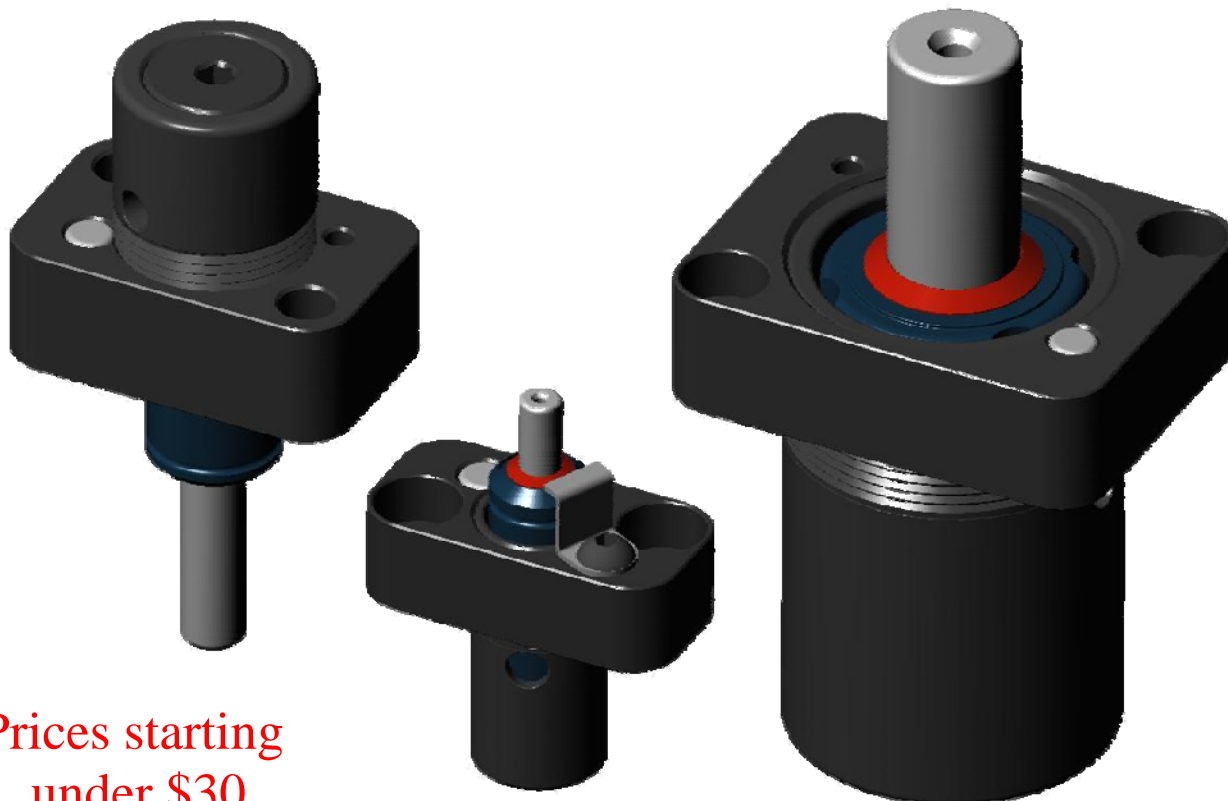




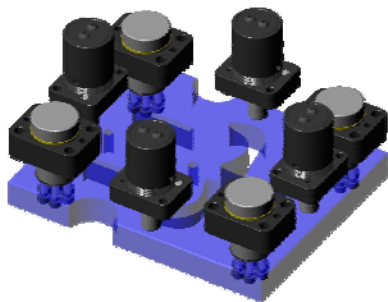
Modular Spring Retainers The First Bolt On Flat Bottom Hole



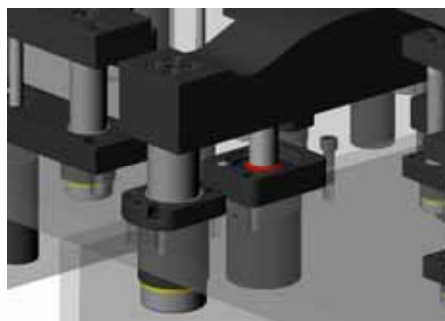
Prices starting
under \$30

Description

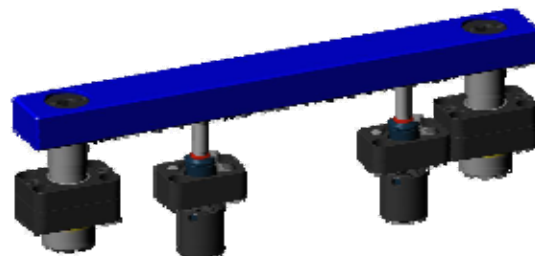
- A Modular Spring Retainer (MSR) is a bolt on flat bottom hole used to retain springs primarily in stamping dies
- The primary difference between this and other style spring mounts is that the MSR allows you to have infinite adjustability of the distance between the spring end and the mounting surface
- Current sizes available retain springs in diameter from .75”(19mm) to 2.0”(50mm). There are a number of base styles available



Stripper Pads



Form Pads



Lifter Bars