

STANDARD LIFTERS

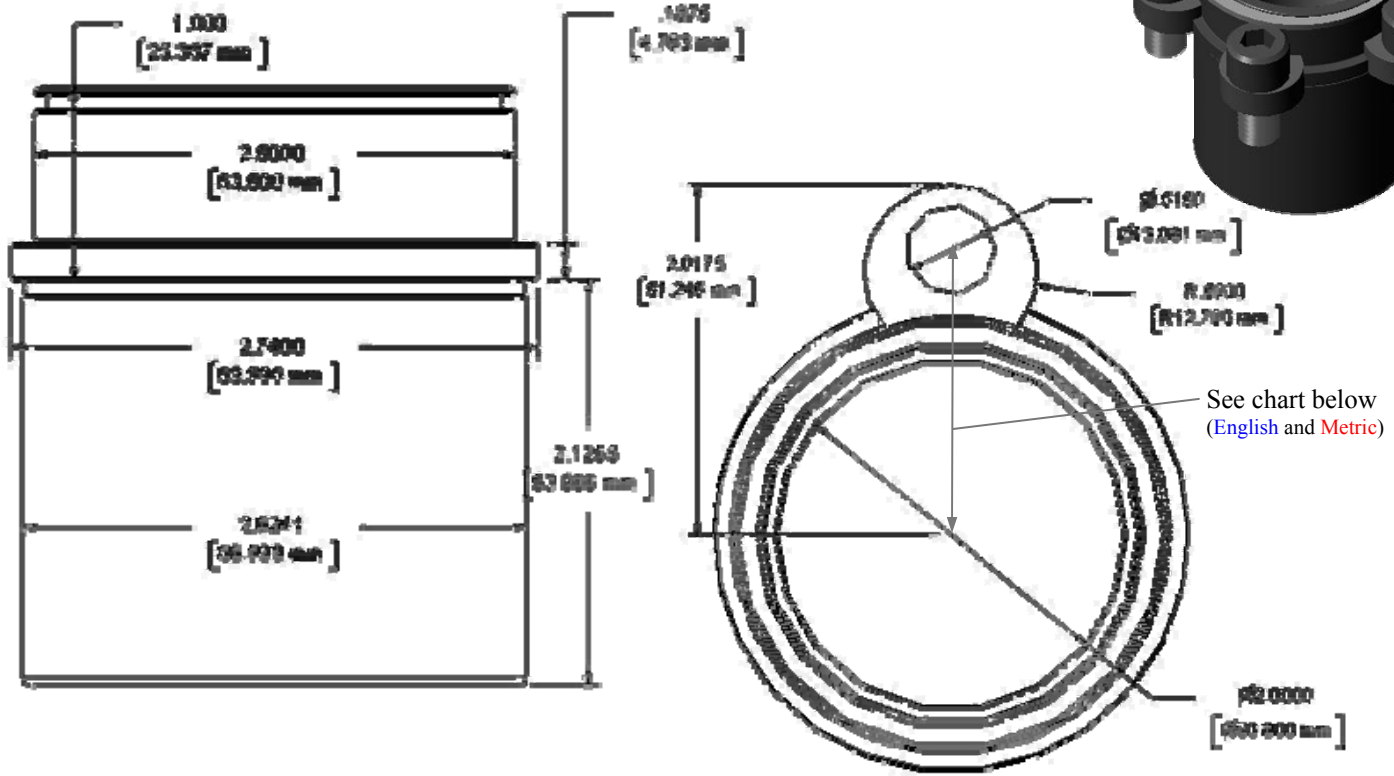
MAKING INNOVATION THE STANDARD



Toll Free: 1-877-754-3837 ~ Fax: (616) 301-2182 ~ www.standardlifters.com ~ sales@standardlifters.com

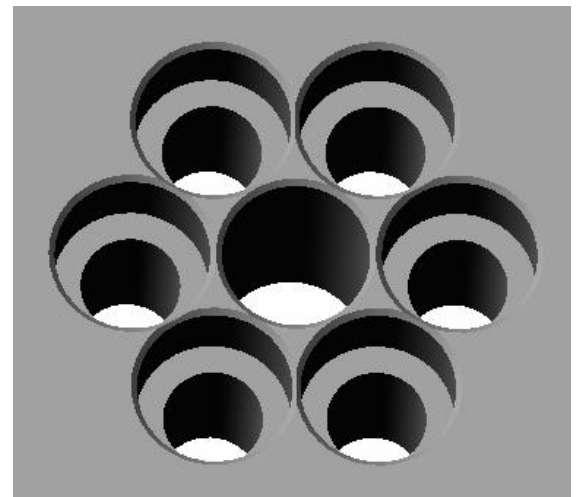
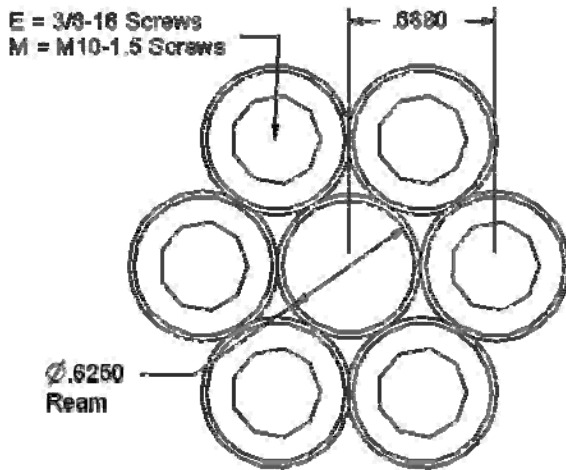
GK200 Specifications

GK200-H3 (Bushing)



| Mounting Specs for | Bore Dia. (-0 +.0010) | Min. Bore Depth | # of Flange Clamps | English Cap Screw Size | Bolt Circle for English | Metric Cap Screw Size | Bolt Circle for Metric |
|--------------------|-----------------------|-----------------|--------------------|------------------------|-------------------------|-----------------------|------------------------|
| GK200 | 2.6250 | 2.2 | 5 | 1/2-13 | 1.640" Rad. | M12-1.75 | 1.626" Rad. |

GK200 Guide Pin Connection Machining



All dimensions shown with 4 decimal places for programming purposes